

# Command-type TFT-LCD Module

## 5.7 inch standard product

RoHS

### ■ Features

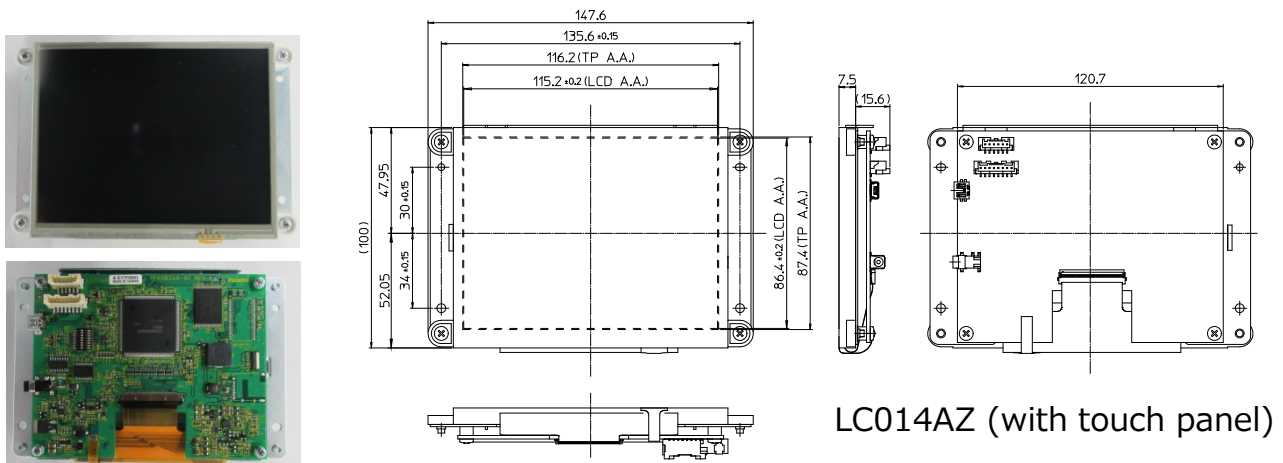
This TFT-LCD module/control board displays content, including stored JPEG images and text with internal fonts, by way of a simple command set.

### ■ Specifications

Item \ Series		LC014AZ
LCD panel	Display size class [inch]	5.7
	Pixels [dot]	640 × 480 (VGA)
	Active area [W×H mm]	115.2 × 86.4
	Luminance [c/m <sup>2</sup> ]	400
	Viewing angles [deg]	Bottom = 52, Top = 55, Left = 65, Right = 65
	Backlight type	LED
	LED lifetime [h] ※1	Min 30,000
Interface		USB2.0 Full Speed & RS232C(115.2 kbps Max) & UART
Touch panel	Type	Resistive
	Active area [W×H mm]	116.2 × 87.4
	Surface durability [touches]	1,000,000
	Surface hardness	T.B.D
Character		Japanese (kanji, katakana, hiragana, alphanumeric)
Font code		FA UD Gothic-R
Internal memory for scree images	Full screen JPEGs	50 (256 kB / 1 JPEG)
	Partial screen JPEGs	200 (64 kB / 1 JPEG)
Supply voltage [V]		5.0
Power consumption [W]		3.0
Operating temperature [°C]		-10 ~ +60
Storage temperature [°C]		-20 ~ +70
Operating temperature [%RH] no condensation		10 ~ 90
Storage temperature [%RH] no condensation		10 ~ 90
Outer dimensions [W×H×T mm]		147.6 × 100 × 24
Weight [g]		approx. 320

※1: LED lifetime = hours for the module luminance to decrease to 50% of original measured brightness at Ta = 25°C.

### ■ Appearance, outer dimensions



#### <Contact>

Futaba Corporation Makuhari Marketing & Sales Center Makuhari Techno-Garden B6, 1-3 Nakase, Mihama-ku, Chiba, 261-8555, Japan  
 TEL : 81-43-296-5112 FAX : 81-43-296-5122

URL <http://www.futaba.co.jp/>