

6

5

4

3

2

1

E

E

D

D

C

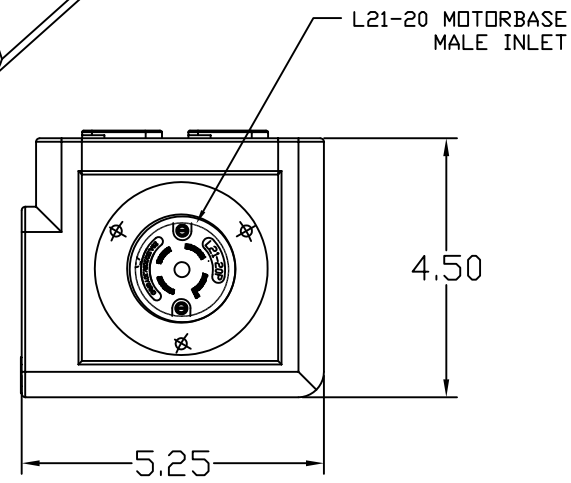
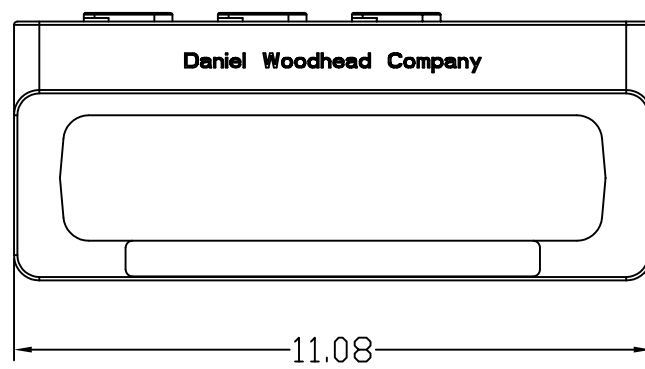
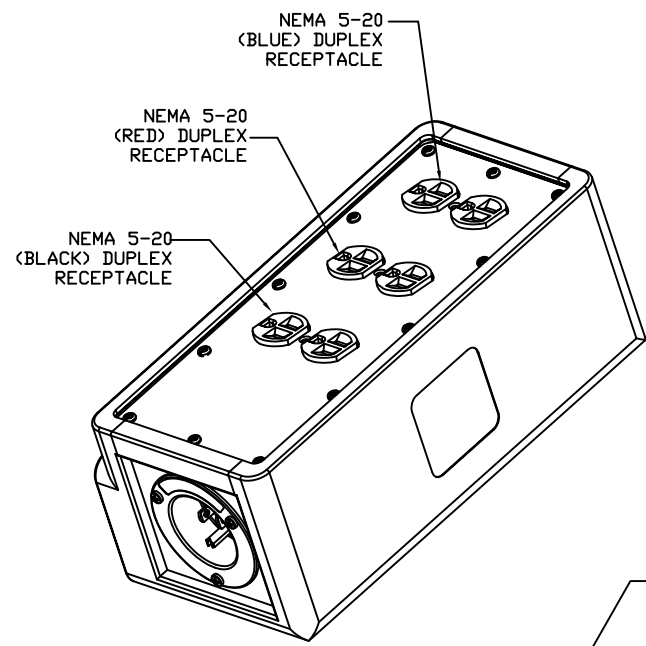
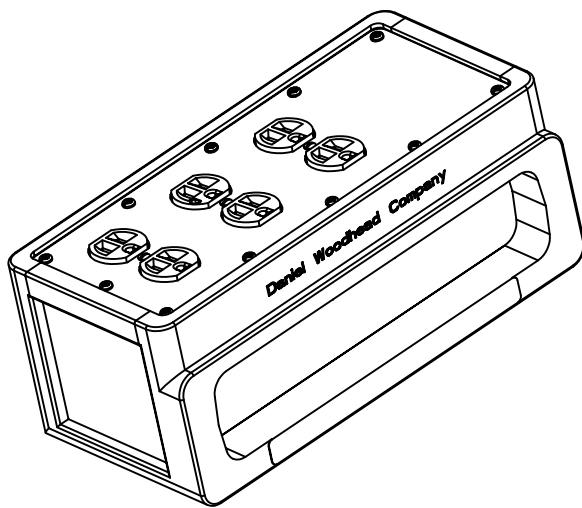
C

B

B

A

A



THIS DRAWING APPLIES TO MULTIPLE OUTLET BOX WITH NO PROTECTION,  
 3400 SERIES: 3403P, 3403PL, 3403P-20 & 3403PL-20.  
 "L" INDICATES FLIP LIDS.  
 "-20" INDICATES 20 AMP.

RELEASE SALES DRAWING  
 EC NO: WNA2011-0060  
 DRWN: HKNEELAN 8/2/10  
 CHKD: HKNEELAN  
 APPR: DTTITUS 2010/09/02  
 REV B

QUALITY SYMBOLS  
 ▽=0  
 ∇=0

GENERAL TOLERANCES (UNLESS SPECIFIED)	
	INCH
4 PLACES	±---
3 PLACES	±---
2 PLACES	±0.13
1 PLACE	±0.25
ANGULAR ±.5°	
DRAFT WHERE APPLICABLE MUST REMAIN WITHIN DIMENSIONS	

DIMENSION STYLE	
IN/MM	
DRAWN BY	DATE
TVICKERS	2010/03/10
CHECKED BY	DATE
HKNEELAN	2010/07/29
APPROVED BY	DATE
DTITUS	2010/07/29
MATERIAL NO.	
1301380110	
SIZE	
A	

SCALE	DESIGN UNITS	THIRD ANGLE PROJECTION
NTS	INCH	
TITLE		
MULTIPLE OUTLET BOX		
3 PHASE		
6 OUTLETS - NEMA 5-20		
MOLEX INCORPORATED		
DOCUMENT NO.	SHEET NO.	
SD-130138-002	1 OF 1	
THIS DRAWING CONTAINS INFORMATION THAT IS PROPRIETARY TO MOLEX INCORPORATED AND SHOULD NOT BE USED WITHOUT WRITTEN PERMISSION		

6

5

4

3

2

1