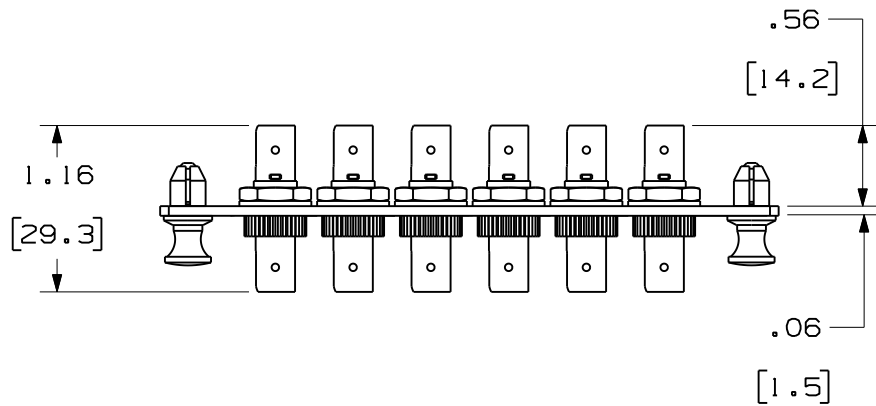
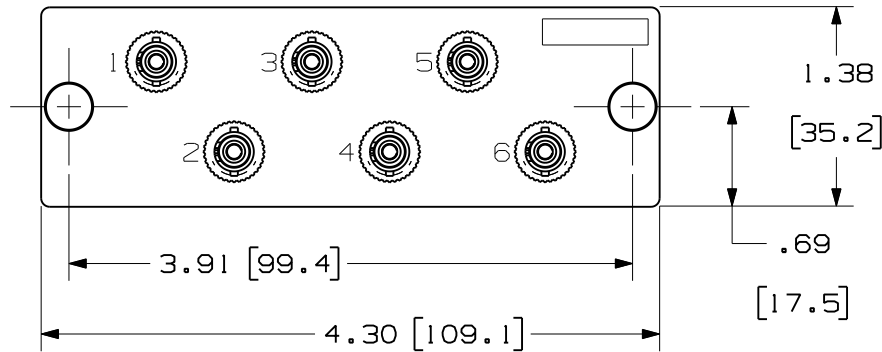


THIS COPY IS PROVIDED ON A RESTRICTED BASIS AND IS NOT TO BE USED IN ANY WAY DETRIMENTAL TO THE INTERESTS OF PANDUIT CORP.



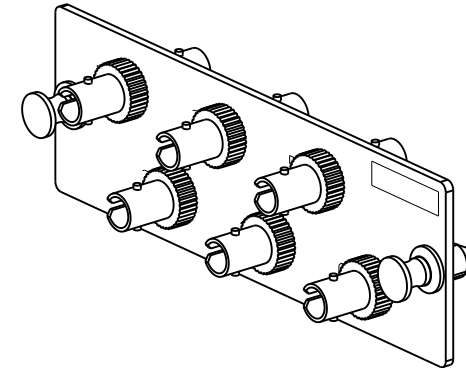
DUST CAPS NOT SHOWN FOR CLARITY



PANDUIT P/N	DUST CAP COLOR	SPLIT SLEEVE TYPE
FAP6WST	YELLOW	PHOS BRONZE
FAP6WSTZ	RED	ZIRCONIA


NOTES:

- SEE CURRENT CATALOG FOR PART NUMBER SUFFIXES TO INDICATE COLOR AND/OR PACKAGE QUANTITIES.
- SEE CATALOG FOR COMPLETE LIST OF PARTS APPLICABLE FOR USE WITH THIS PRODUCT.
- MATERIALS:
 - PLATE: C.R.S. POWDER COATED
 - ADAPTER: METALLIC BODY
 - SPLIT SLEEVE: SEE TABLE ABOVE
 - ALL MATERIALS AND COMPONENTS USED MEET THE MATERIAL RESTRICTIONS OF RoHS, (EUROPEAN DIRECTIVE 2002/95/EC ON THE RESTRICTION OF HAZARDOUS SUBSTANCES) AS PROPOSED BY THE RoHS TECHNICAL ADAPTATION COMMITTEE.
- DIMENSIONS IN BRACKETS ARE METRIC.



REV	DATE	BY	CHK	DESCRIPTION	ECN	R	CUST	SUP	OTH
R	03-31-11	MC	MTV	RELEASED TO PRODUCTION	01945-150	MTV	TCB		

6 POSITION
ST FIBER ADAPTER PANEL
CUSTOMER DRAWING



PANDUIT™
CORP.
TINLEY PARK, ILL 60477

<p>ALL DIMENSIONS ARE GIVEN IN INCHES, UNLESS OTHERWISE SPECIFIED.</p> <p>DIMENSIONAL TOLERANCES ARE: (.X) ±.03 (0.8) ANGLES (.XXX) ±.010 (0.3)</p>	<p>DRAWING FILENAME MO1945AB_DC/00A</p> <p>SCALE NONE</p> <p>PART NO. SEE TABLE</p> <p>DRAWING NO. 01945-150</p> <p>SIZE A</p>
<p>THIRD ANGLE PROJECTION</p> <p>DRAWN BY MC</p> <p>DATE 09-14-10</p> <p>CHK'D MTV</p>	<p>REVIEW DRAWING NUMBERS</p>