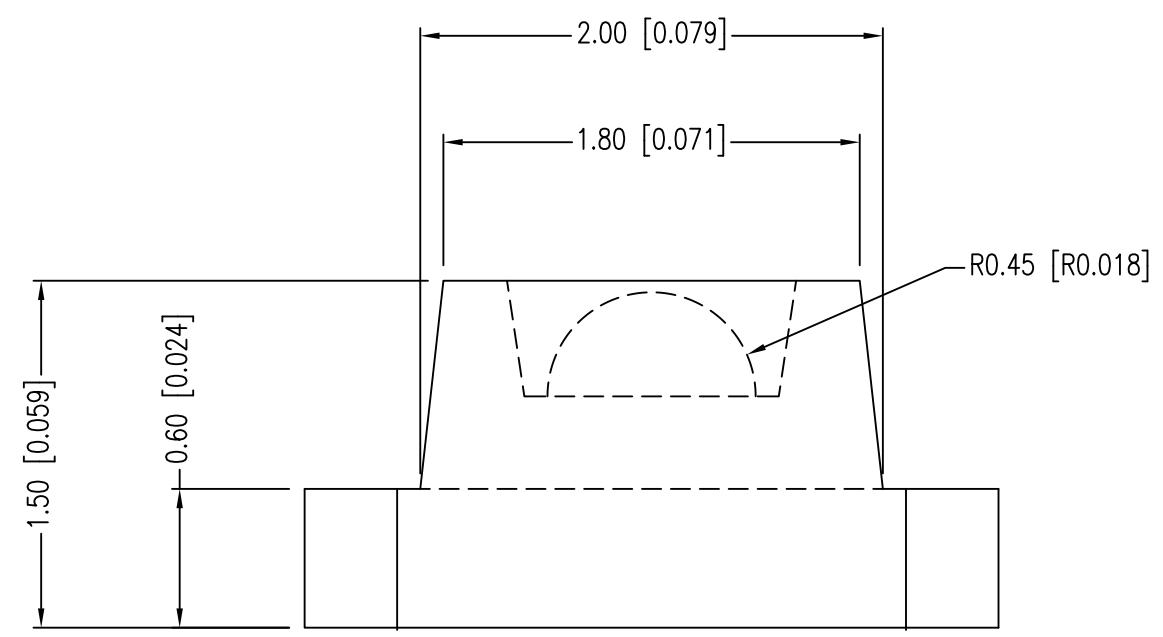
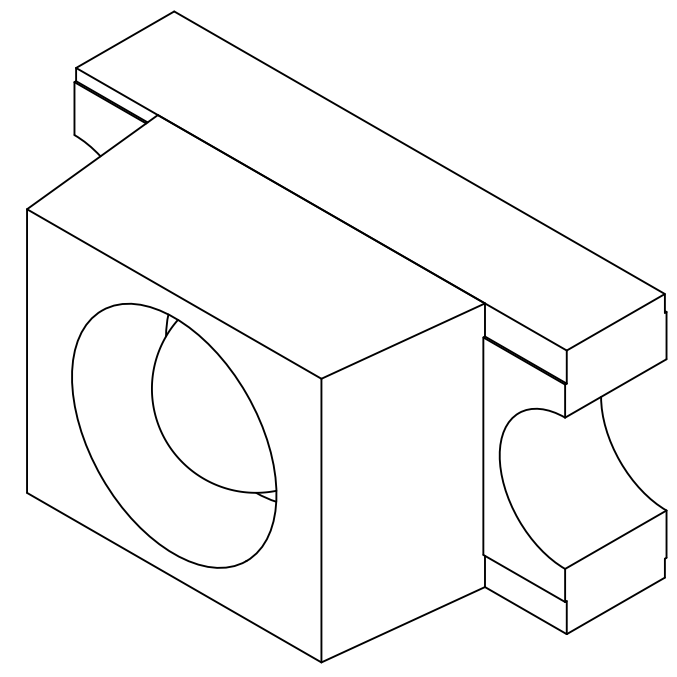
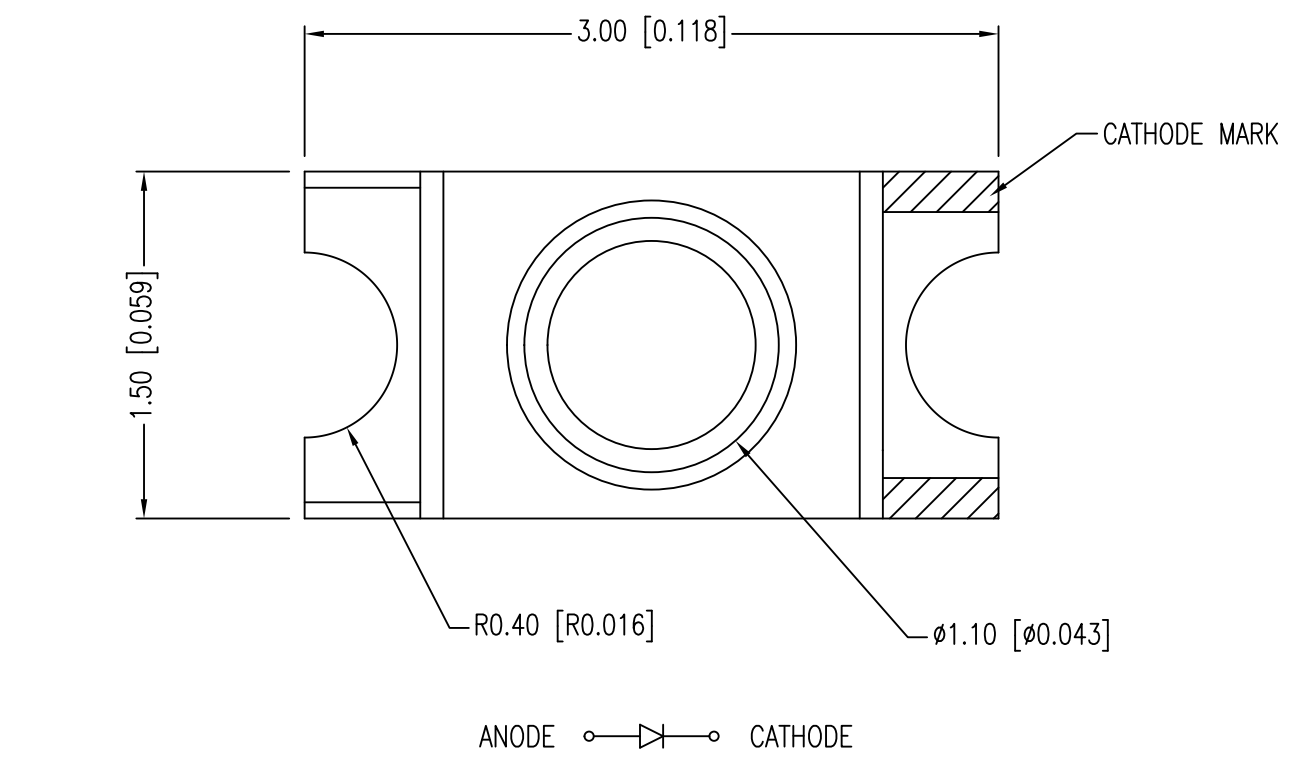


PART NUMBER	SML-LXL1206SRC-TR	REV.	I
DATE	E.C.N. NUMBER AND REVISION COMMENTS	REV.	
03.30.98	E.C.N. #10BRDR. & REDRAWN.	A	
01.08.01	E.C.N. #10BRDR. & REDRAWN IN 3D.	B	
05.31.01	E.C.N. #10750.	C	
09.08.01	E.C.N. #10784.	D	
03.14.03	E.C.N. #10967.	E	
03.17.05	E.C.N. #11148.	F	
05.26.10	E.C.N. #11508.	G	
10.12.10	E.C.N. #11665.	H	
12.11.18	ECN-Lumex201800190	I	



[H] ELECTRO-OPTICAL CHARACTERISTICS  $T_A=25^\circ\text{C}$   $I_f=20\text{mA}$

PARAMETER	MIN	TYP	MAX	UNITS	TEST COND
PEAK WAVELENGTH		660		nm	
FORWARD VOLTAGE		1.7	2.2	$V_f$	
REVERSE VOLTAGE	5.0			$V_r$	$I_r=100\mu\text{A}$
AXIAL INTENSITY		90		mcd	$I_f=20\text{mA}$
VIEWING ANGLE		60		2x theta	
EMITTED COLOR:	RED				
EPOXY LENS FINISH:	WATER CLEAR LENS				

LIMITS OF SAFE OPERATION AT 25°C

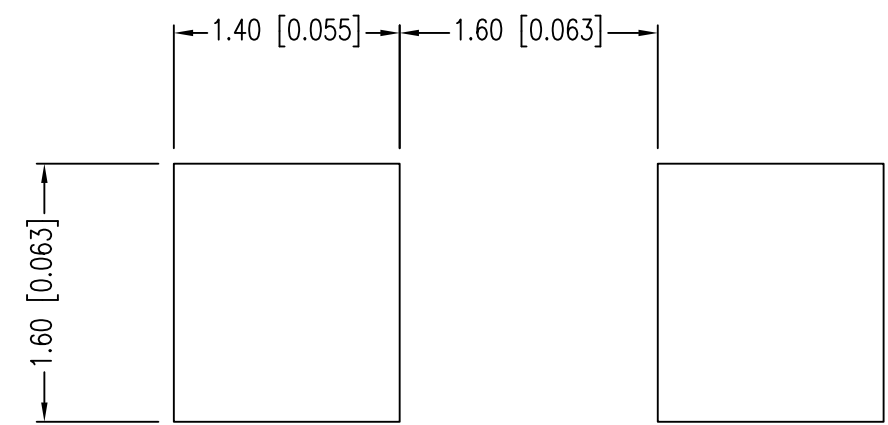
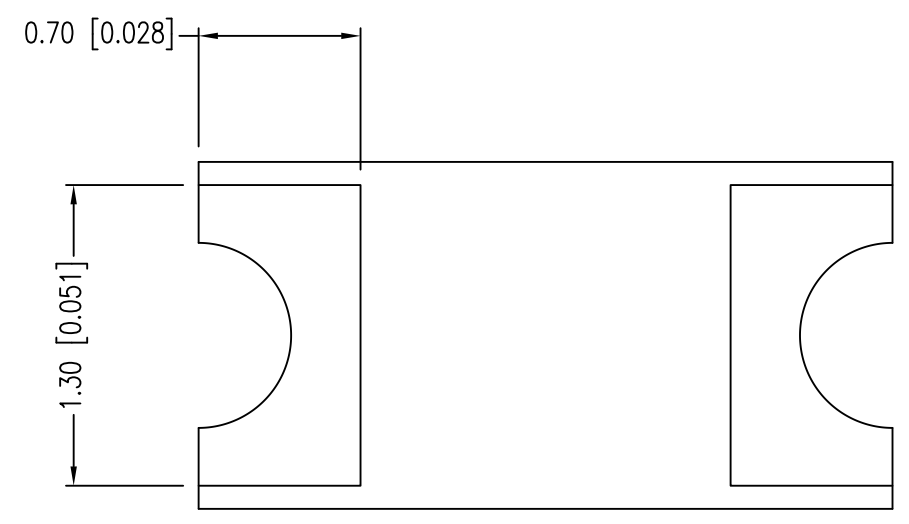
PARAMETER	MAX	UNITS
PEAK FORWARD CURRENT*	160	mA
STEADY CURRENT	25	mA
POWER DISSIPATION	60	mW
DERATE FROM 25°C	-1.2	mW/°C
OPERATING TEMP.	-40 TO +85	°C
STORAGE TEMP.	-40 TO +90	°C

\*  $t < 10\mu\text{s}$

RECOMMENDED SOLDER PAD LAYOUT

[ICD] CAUTION: MOISTURE SENSITIVE DEVICE  
PER JEDEC LEVEL 3 STANDARDS

- NOTES:
- THE CATHODE IS ORIENTED TOWARDS THE TAPE SPROCKET HOLE.



\*UNLESS OTHERWISE SPECIFIED TOLERANCES PER DECIMAL PRECISION ARE: X=±1 (±0.039), X.X=±0.5 (±0.020), X.XX=±0.25 (±0.010), X.XXX=±0.127 (±0.005). LEAD SIZE=±0.05 (±0.002), LEAD LENGTH=±0.75 (±0.030). MIN=  $\begin{matrix} +0.00 \\ -0.00 \end{matrix}$  DECIMAL PRECISION MAX=  $\begin{matrix} +0.00 \\ -0.00 \end{matrix}$  DECIMAL PRECISION

425 N. GARY AVE.  
CAROL STREAM, IL 60188-4900  
PHONE: 800-278-5666  
FAX: 630-315-2152  
WEB: WWW.LUMEX.COM

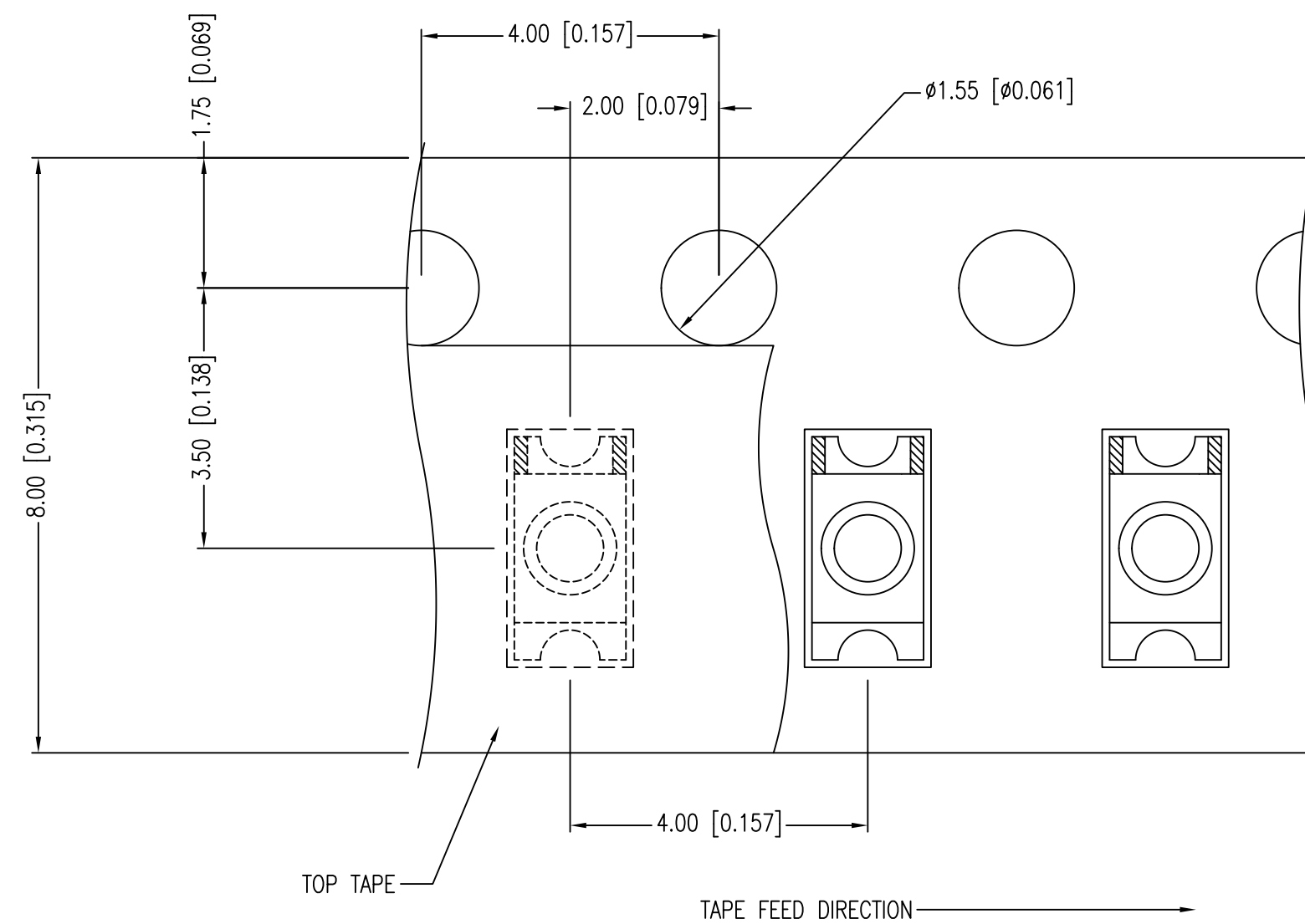
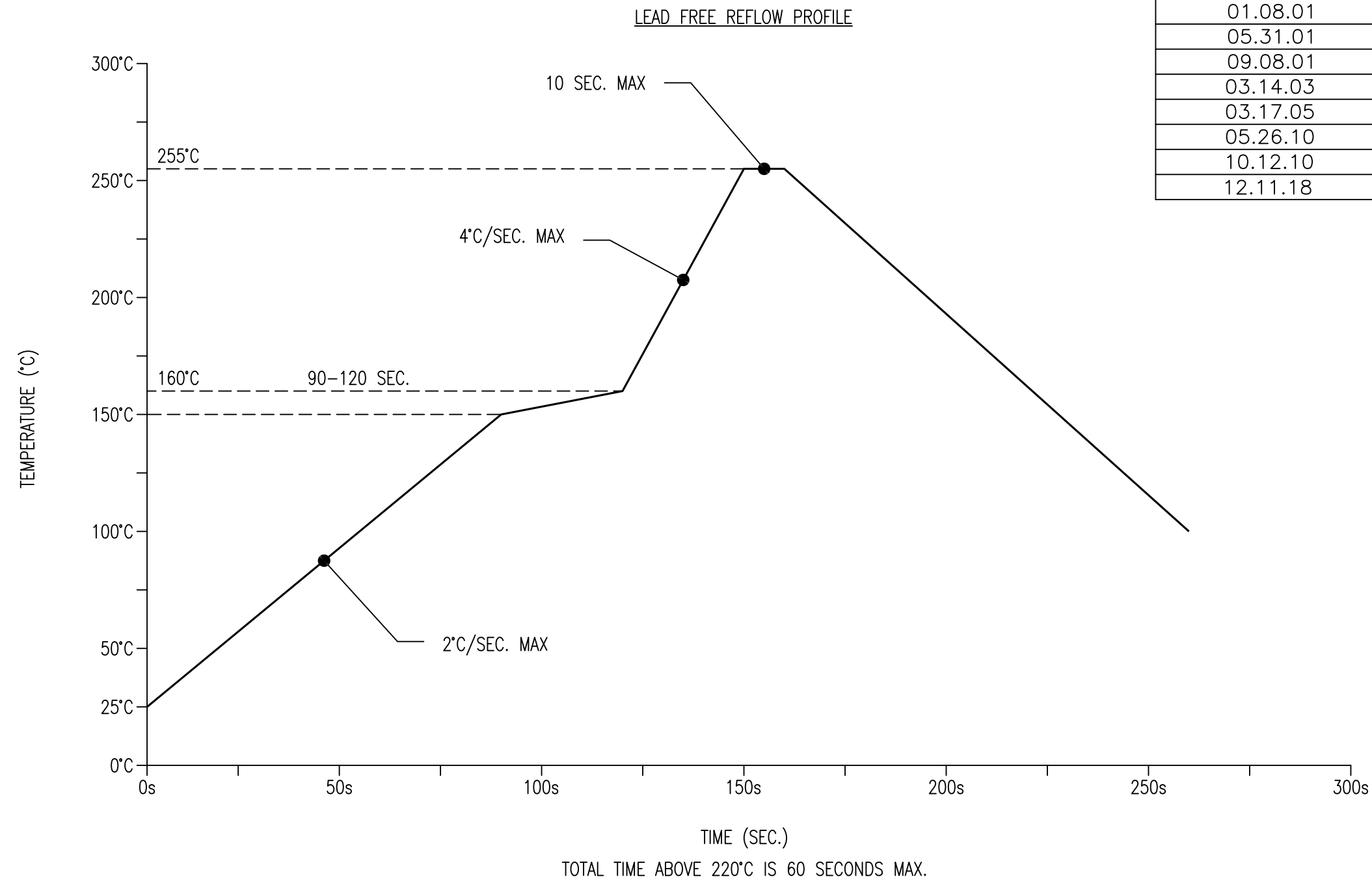
3.0mm x 1.5mm x 1.5mm PCB SURFACE MOUNT WITH LENS, 660nm RED LED, WATER CLEAR LENS, TAPE & REEL.

\*\*THE SPECIFICATIONS MAY CHANGE AT ANY TIME WITHOUT NOTICE.\*\*

CONFIDENTIAL INFORMATION  
THE INFORMATION CONTAINED IN THIS DOCUMENT IS THE PROPERTY OF LUMEX INC. EXCEPT AS SPECIFICALLY AUTHORIZED IN WRITING BY LUMEX INC., THE HOLDER OF THIS DOCUMENT SHALL KEEP ALL INFORMATION CONTAINED HEREIN CONFIDENTIAL AND SHALL PROTECT SAME IN WHOLE OR IN PART FROM DISCLOSURE AND DISSEMINATION TO ALL THIRD PARTIES.

DATE:	01.27.97	DRAWN BY:	C.S.
PAGE:	1 OF 2	CHKD BY:	E.C.
SCALE:	NTS	APRVD BY:	G.Y.
UNIT:	mm [INCH]		

PART NUMBER	SML-LXL1206SRC-TR	REV.	I
DATE	E.C.N. NUMBER AND REVISION COMMENTS	REV.	
03.30.98	E.C.N. #10BRDR. & REDRAWN.	A	
01.08.01	E.C.N. #10BRDR. & REDRAWN IN 3D.	B	
05.31.01	E.C.N. #10750.	C	
09.08.01	E.C.N. #10784.	D	
03.14.03	E.C.N. #10967.	E	
03.17.05	E.C.N. #11148.	F	
05.26.10	E.C.N. #11508.	G	
10.12.10	E.C.N. #11665.	H	
12.11.18	ECN-Lumex201800190	I	



\*UNLESS OTHERWISE SPECIFIED TOLERANCES PER DECIMAL PRECISION ARE: X=±1 (±0.039), X.X=±0.5 (±0.020), X.XX=±0.25 (±0.010), X.XXX=±0.127 (±0.005). LEAD SIZE=±0.05 (±0.002), LEAD LENGTH=±0.75 (±0.030). MIN= <sup>+DECIMAL PRECISION</sup> -0.00 <sub>-DECIMAL PRECISION</sub>



425 N. GARY AVE.  
 CAROL STREAM, IL 60188-4900  
 PHONE: 800-278-5666  
 FAX: 630-315-2152  
 WEB: WWW.LUMEX.COM

3.0mm x 1.5mm x 1.5mm PCB SURFACE MOUNT WITH LENS, 660nm RED LED, WATER CLEAR LENS, TAPE & REEL.

\*\*THE SPECIFICATIONS MAY CHANGE AT ANY TIME WITHOUT NOTICE.\*\*

CONFIDENTIAL INFORMATION  
 THE INFORMATION CONTAINED IN THIS DOCUMENT IS THE PROPERTY OF LUMEX INC. EXCEPT AS SPECIFICALLY AUTHORIZED IN WRITING BY LUMEX INC., THE HOLDER OF THIS DOCUMENT SHALL KEEP ALL INFORMATION CONTAINED HEREIN CONFIDENTIAL AND SHALL PROTECT SAME IN WHOLE OR IN PART FROM DISCLOSURE AND DISSEMINATION TO ALL THIRD PARTIES.

DATE: 01.27.97	DRAWN BY: C.S.
PAGE: 2 OF 2	CHKD BY: E.C.
SCALE: NTS	APRVD BY: G.Y.
UNIT: mm [INCH]	(Pb)