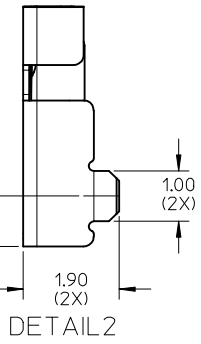
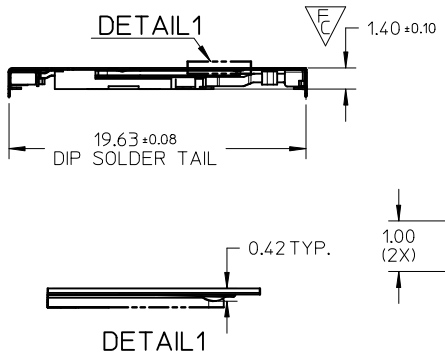
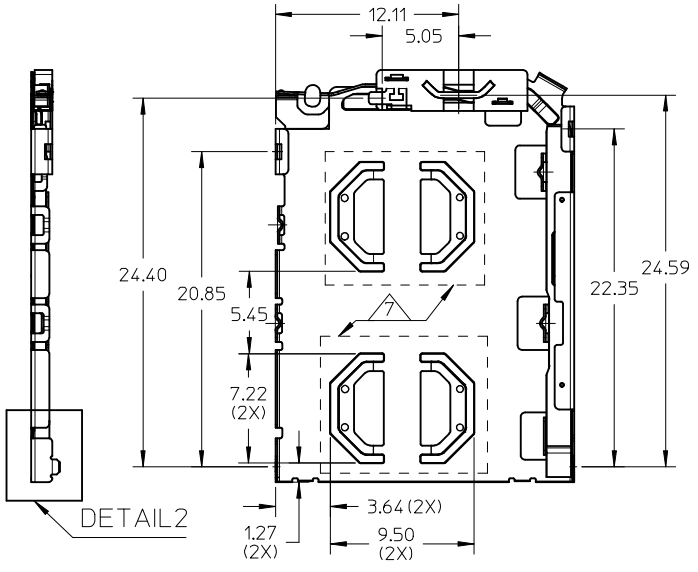
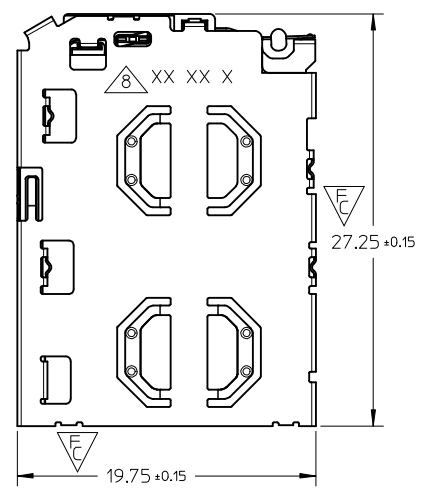
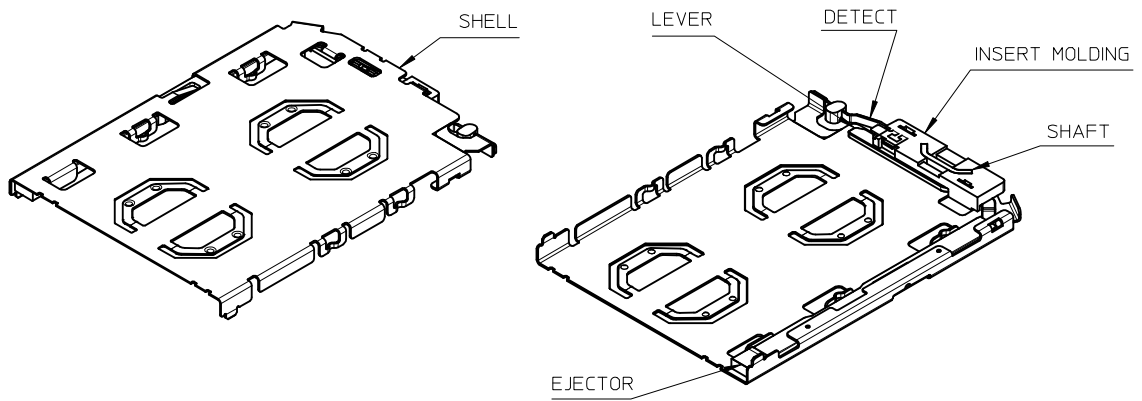


10 9 8 7 6 5 4 3 2 1

THIS DESIGN IS BASED ON DESIGN OBJECTIVES AND IS STRICTLY TENTATIVE. IT MAY CHANGE BASED ON RESULTS OF ADDITIONAL DESIGN REVIEWS & VERIFICATIONS.

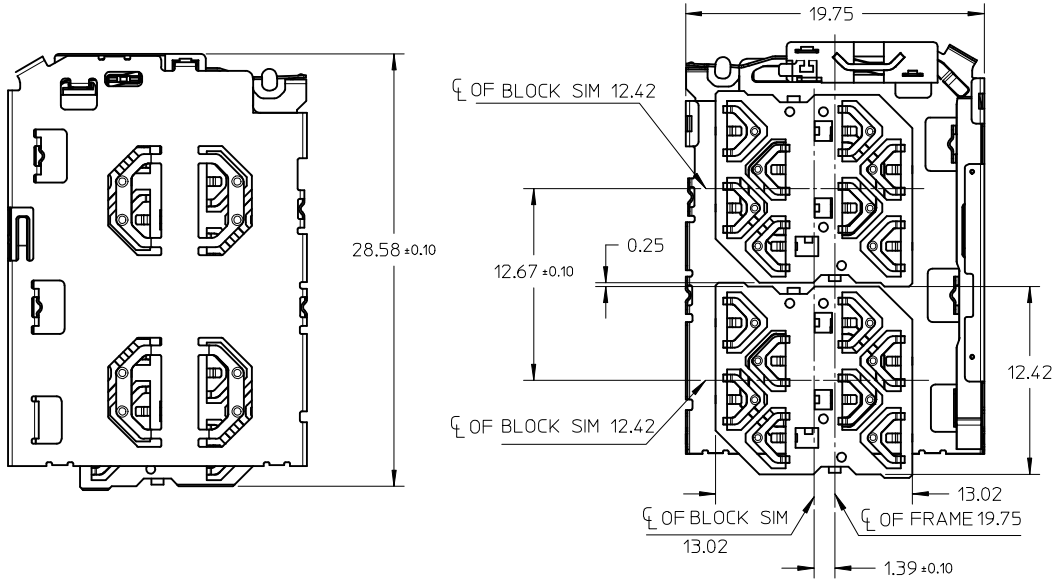


NOTES:
 1. MATERIALS:
 INSERT MOLD HOUSING: LCP, UL94V-0;
 LEVER, SHAFT, EJECTOR, SHELL: STAINLESS STEEL;
 DETECT SPRING: COPPER ALLOY;
 2. FINISHES:
 DETECT SPRING:
 1.27um MIN. NICKEL UNDERPLATING OVERALL;
 0.127um MIN. GOLD PLATING ON CONTACT AREA;
 1.27 um MIN. TIN PLATING ON SOLDERING TAIL;
 SHELL:
 1.27um MIN NICKEL UNDERPLATING OVERALL;
 0.025um MIN GOLD PLATING ON CONTACT AREA AND SOLDERING AREA;
 SHAFT: 1.27um MIN TIN ON SOLDERING TAIL;
 3. PRODUCT SPECIFICATION: PS-151031-001;
 4. PACKAGING SPECIFICATION: PK-151031-001;PK-151032-001
 5. SOLDER TAIL COPLANARITY: 0.10 MM MAX BEFORE REFLOW
 6. THIS PART IS A FRAME ONLY, IT SHOULD BE USED TOGETHER WITH 0.35MM BLOCK SIM 151032 FOR AN ENTIRE SIM POP OUT SYSTEM;
 7. 0.10 MINIMUM KEEP OUT ZONE FROM TOP SURFACE OF SHELL DURING INSERTION AND WITHDRAWAL OF TRAY (WITH SIM CARD)
 8. DATE CODE PRINTED: XX XX X
 DAY
 WEEK
 YEAR

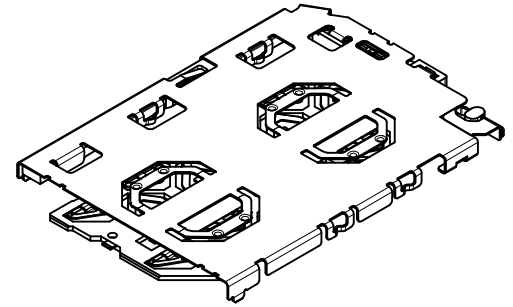
CHANGE BLOCK SIM AND TRAY EC NO: S2014-0434 DRWN: JZENG 2013/11/04 CHKD: JTAN02 2014/01/02 APPR: KHLIM 2014/01/27	QUALITY SYMBOLS F _A =0 F _C =4 F _P =0	GENERAL TOLERANCES (UNLESS SPECIFIED)		DIMENSION STYLE MM ONLY		SCALE NTS	DESIGN UNITS METRIC	THIRD ANGLE PROJECTION		
			mm	INCH	DRAWN BY JZENG	DATE 2013/11/04	TITLE DUAL MICRO SIM FRAME 1.40 H			
		4 PLACES	± ---	± ---	CHECKED BY JTAN02	DATE 2013/12/05				
		3 PLACES	± ---	± ---	APPROVED BY KHLIM	DATE 2014/01/27				
			ANGULAR ± 3 °		MATERIAL NO. 1510310001	DOCUMENT NO. SD-151031-0001		SHEET NO. 1 OF 5		
			DRAFT WHERE APPLICABLE MUST REMAIN WITHIN DIMENSIONS		SIZE A3	THIS DRAWING CONTAINS INFORMATION THAT IS PROPRIETARY TO MOLEX INCORPORATED AND SHOULD NOT BE USED WITHOUT WRITTEN PERMISSION				

9 8 7 6 5 4 3 2 1

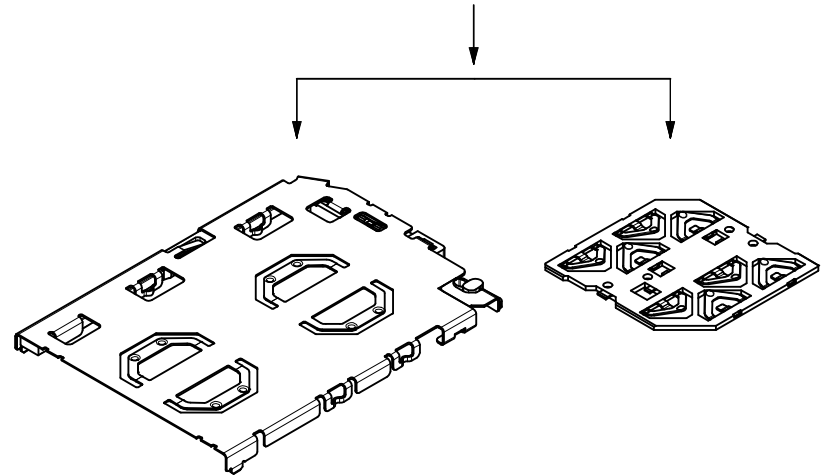
SIM CONNECTOR
(WITH 151032 BLOCK SIM CONNECTOR)



SIM CONNECTOR BOM



FRAME + BLOCK SIM



151031 SERIES

151032 SERIES

THIS DESIGN IS BASED ON DESIGN OBJECTIVES AND IS STRICTLY TENTATIVE. IT MAY CHANGE BASED ON RESULTS OF ADDITIONAL DESIGN REVIEWS & VERIFICATIONS.

SEE SHEET 1	DESCRIPTION
EC NO: S2014-0434	2013/11/04
DRWN: JZENG	2014/01/02
CHKD: JTAN02	2014/01/27
APPR: KHL IM	
7	

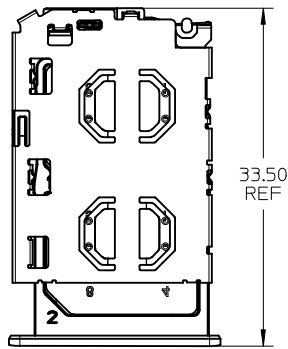
QUALITY SYMBOLS	DESCRIPTION
$F_A=0$	
$F_B=0$	
$F_C=0$	

GENERAL TOLERANCES (UNLESS SPECIFIED)	
	mm INCH
4 PLACES	± --- ± ---
3 PLACES	± --- ± ---
2 PLACES	± 0.20 ± ---
1 PLACE	± 0.20 ± ---
0 PLACE	± --- ± ---
ANGULAR ± 3 °	
DRAFT WHERE APPLICABLE MUST REMAIN WITHIN DIMENSIONS	

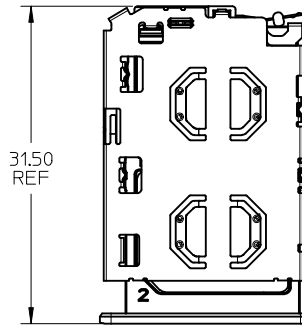
DIMENSION STYLE	
MM ONLY	
DRAWN BY	DATE
JZENG	2013/11/04
CHECKED BY	DATE
JTAN02	2013/12/05
APPROVED BY	DATE
KHL IM	2014/01/27
MATERIAL NO.	
1510310001	
SIZE	
A3	

SCALE	DESIGN UNITS	THIRD ANGLE PROJECTION
NTS	METRIC	
TITLE		
DUAL MICRO SIM FRAME 1.40 H		
molex		SHEET NO.
DOCUMENT NO.		2 OF 5
SD-151031-0001		
THIS DRAWING CONTAINS INFORMATION THAT IS PROPRIETARY TO MOLEX INCORPORATED AND SHOULD NOT BE USED WITHOUT WRITTEN PERMISSION		

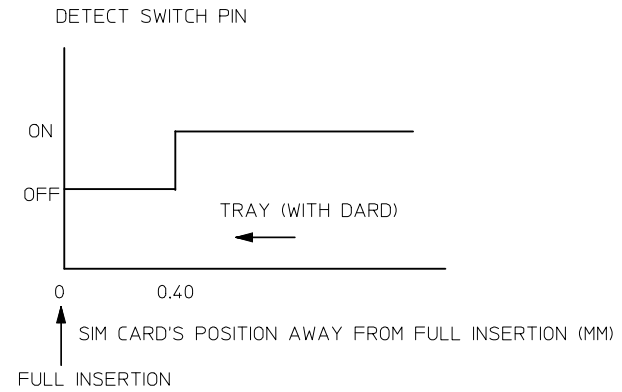
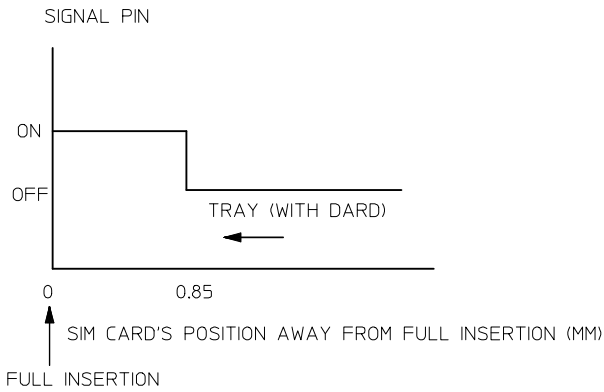
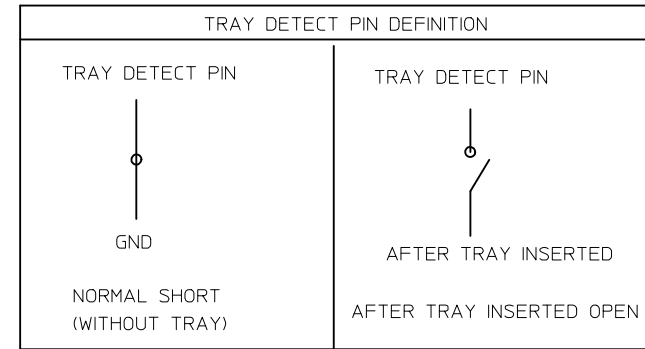
SIM CONNECTOR FRAME AND TRAY



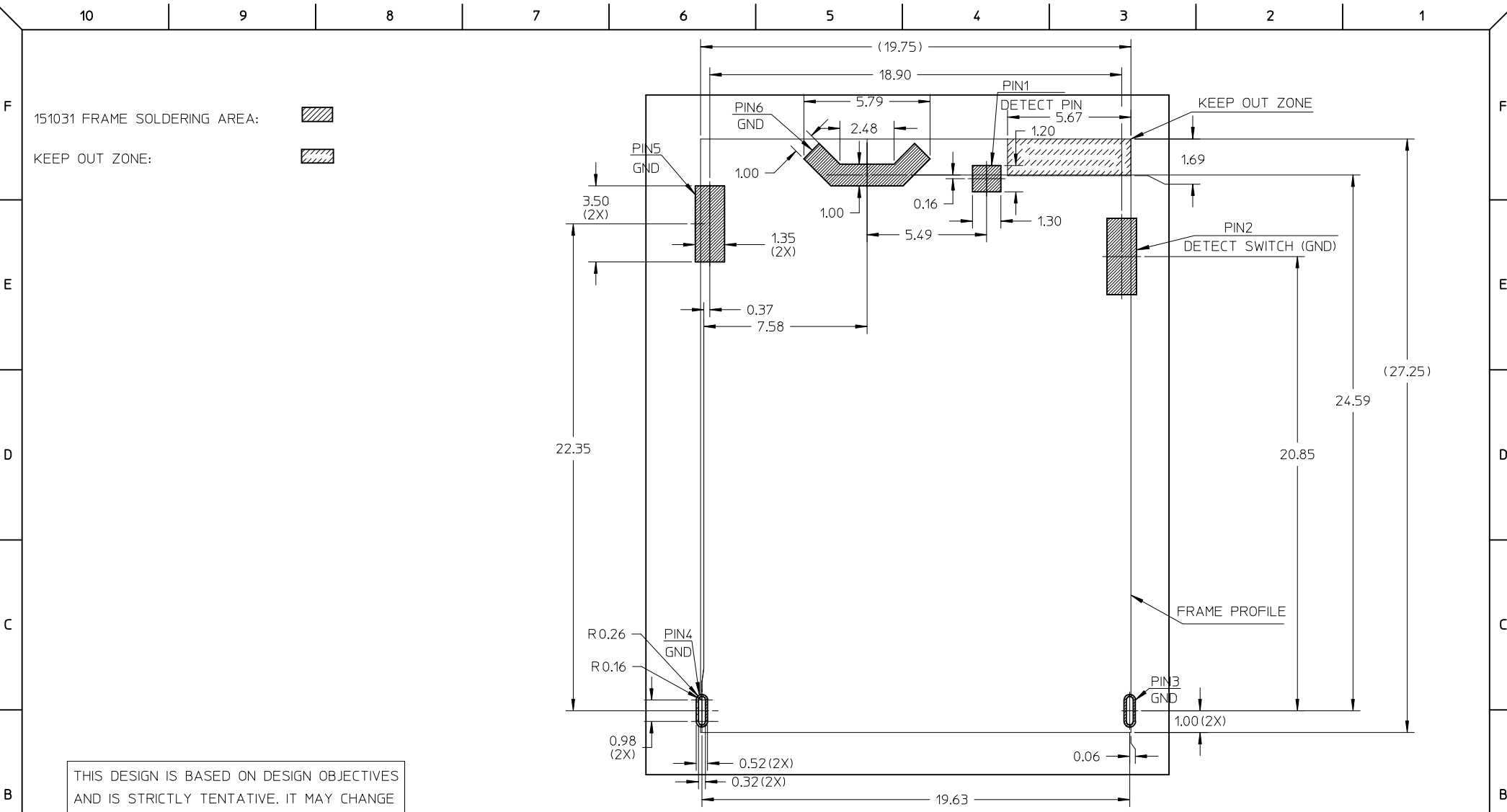
TRAY EJECTED POSITION



TRAY INSERTION POSITION





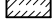
ENTER DESCRIPTION EC NO: S2014-0434 DRWN: JZENG CHKD: JTAN02 APPR: KHL IM	DESCRIPTION 2013/11/04 2014/01/02 2014/01/27	QUALITY SYMBOLS	GENERAL TOLERANCES (UNLESS SPECIFIED)		DIMENSION STYLE	SCALE	DESIGN UNITS	THIRD ANGLE PROJECTION
		$F_A=0$ $F_G=0$ $F_P=0$	mm	INCH	MM ONLY		METRIC	
			4 PLACES	± ---	± ---	DRAWN BY	DATE	TITLE
			3 PLACES	± ---	± ---	JZENG	2013/11/04	DUAL MICRO SIM FRAME 1.40 H
	2 PLACES	± 0.20	± ---	CHECKED BY	DATE			
	1 PLACE	± 0.20	± ---	JTAN02	2013/12/05			
	0 PLACE	± ---	± ---	APPROVED BY	DATE			
				KHL IM	2014/01/27			
				MATERIAL NO.		DOCUMENT NO.	SHEET NO.	
				1510310001		SD-151031-0001	3 OF 5	
				SIZE	THIS DRAWING CONTAINS INFORMATION THAT IS PROPRIETARY TO MOLEX INCORPORATED AND SHOULD NOT BE USED WITHOUT WRITTEN PERMISSION			
				A3				

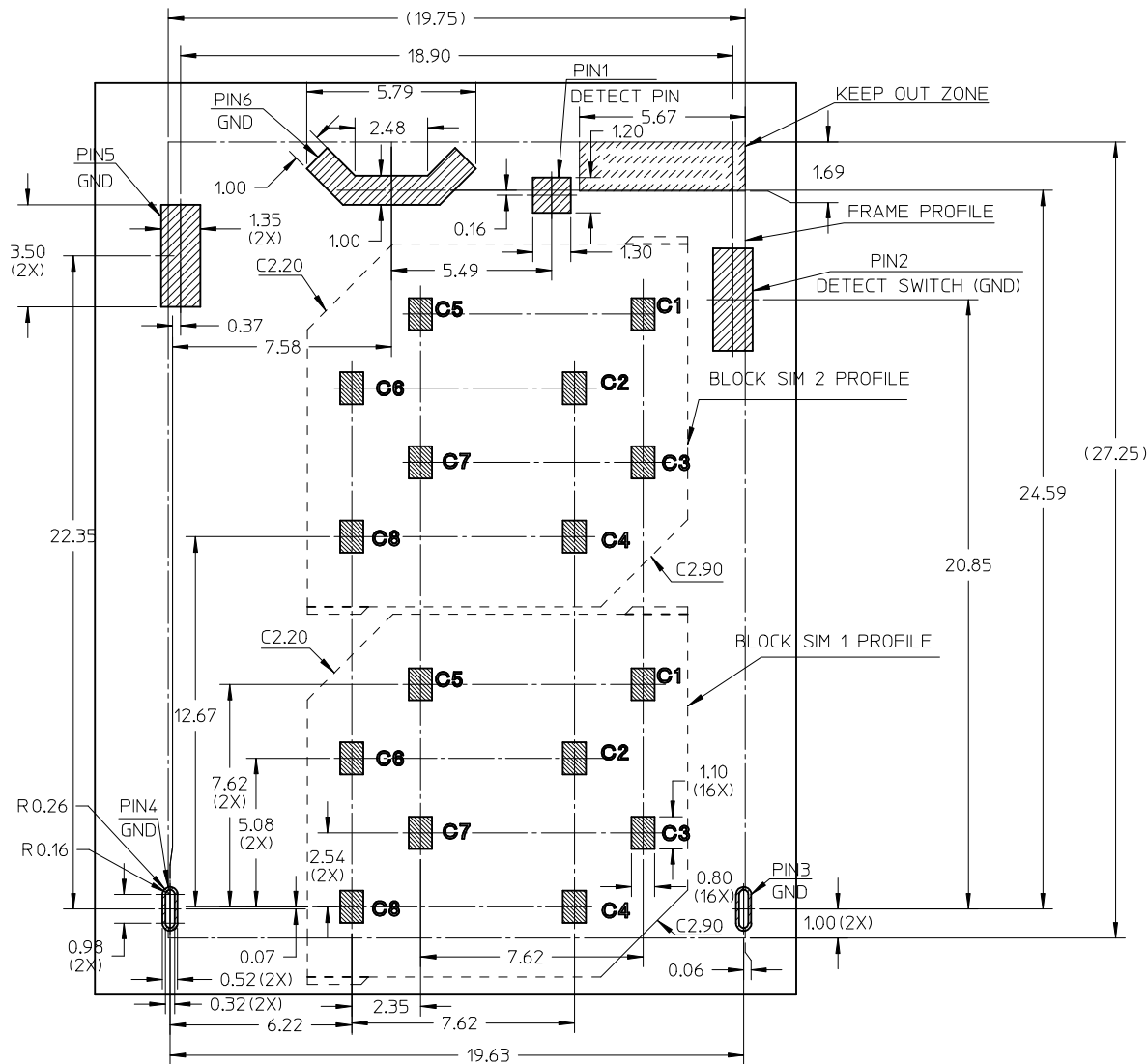


THIS DESIGN IS BASED ON DESIGN OBJECTIVES AND IS STRICTLY TENTATIVE. IT MAY CHANGE BASED ON RESULTS OF ADDITIONAL DESIGN REVIEWS & VERIFICATIONS.

RECOMMENDED PCB LAYOUT: TOLERANCE ±0.05
 RECOMMENDED PCB THICKNESS: 0.80MM
 RECOMMENDED STENCIL THICKNESS: 0.10MM

SEE SHEET 1 EC NO: S2014-0434 DRWN: JZENG CHKD: JTAN02 APPR: KHL IM	2013/11/04 2014/01/02 2014/01/27	QUALITY SYMBOLS $F_A=0$ $F_C=0$ $F_P=0$	GENERAL TOLERANCES (UNLESS SPECIFIED) mm INCH 4 PLACES ± --- ± --- 3 PLACES ± --- ± --- 2 PLACES ± 0.20 ± --- 1 PLACE ± 0.20 ± --- 0 PLACE ± --- ± ---	DIMENSION STYLE MM ONLY DRAWN BY: JZENG CHECKED BY: JTAN02 APPROVED BY: KHL IM MATERIAL NO.: 1510310001	SCALE: NTS DESIGN UNITS: METRIC THIRD ANGLE PROJECTION	DATE: 2013/11/04 DATE: 2013/12/05 DATE: 2014/01/27	TITLE: DUAL MICRO SIM FRAME 1.40 H molex DOCUMENT NO.: SD-151031-0001	SHEET NO.: 4 OF 5
	ANGLULAR ± 3 ° DRAFT WHERE APPLICABLE MUST REMAIN WITHIN DIMENSIONS	SIZE: A3 THIS DRAWING CONTAINS INFORMATION THAT IS PROPRIETARY TO MOLEX INCORPORATED AND SHOULD NOT BE USED WITHOUT WRITTEN PERMISSION						

151031 FRAME SOLDERING AREA: 
 151032 BLOCK SIM SOLDERING AREA: 
 KEEP OUT ZONE: 



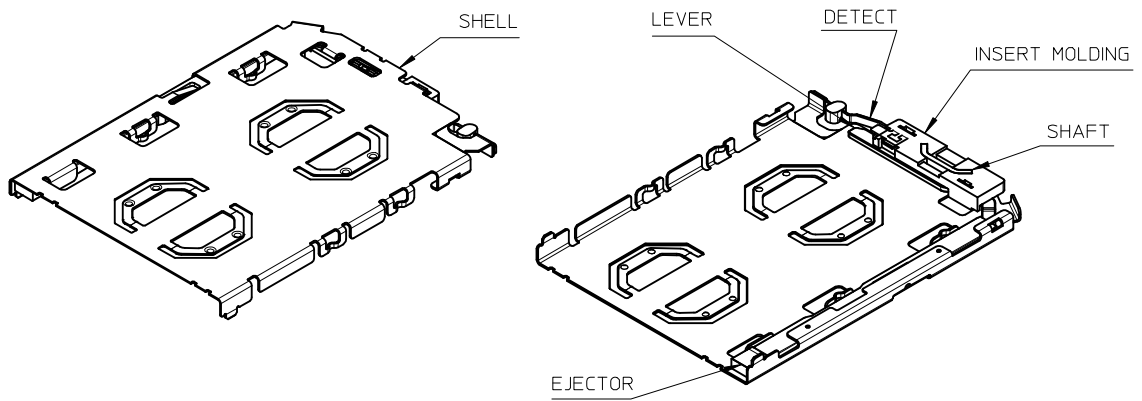
THIS DESIGN IS BASED ON DESIGN OBJECTIVES AND IS STRICTLY TENTATIVE. IT MAY CHANGE BASED ON RESULTS OF ADDITIONAL DESIGN REVIEWS & VERIFICATIONS.

RECOMMENDED PCB LAYOUT: TOLERANCE ±0.05
 RECOMMENDED PCB THICKNESS: 0.80MM
 RECOMMENDED STENCIL THICKNESS: 0.10MM

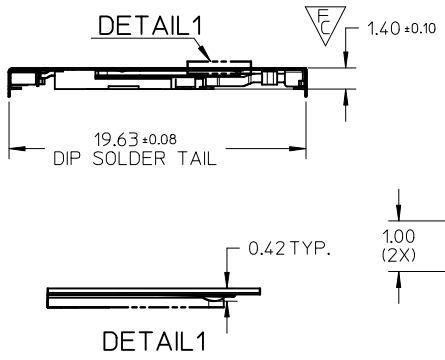
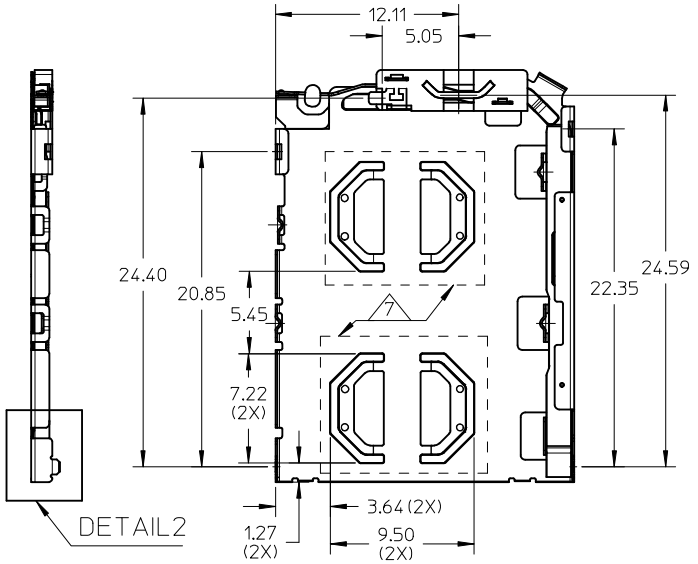
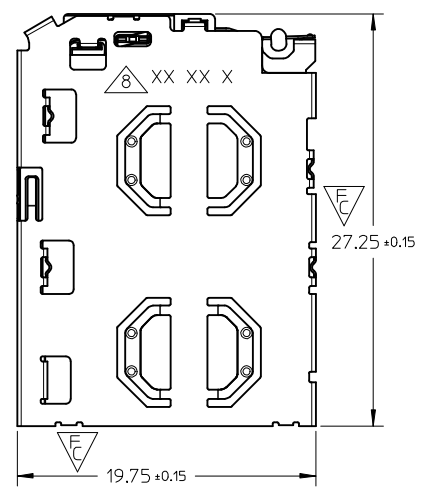
SEE SHEET 1	EC NO: S2014-0434 DRWN: JZENG CHKD: JTAN02 APPR: KHLIM	2013/11/04 2014/01/02 2014/01/27	QUALITY SYMBOLS $F_A=0$ $F_C=0$ $F_P=0$	GENERAL TOLERANCES (UNLESS SPECIFIED)		DIMENSION STYLE		SCALE	DESIGN UNITS	THIRD ANGLE PROJECTION				
						MM ONLY		NTS	METRIC					
						mm	INCH	DRAWN BY		DATE		TITLE		
								JZENG		2013/11/04		DUAL MICRO SIM FRAME 1.40 H		
				4 PLACES ± --- ± ---		CHECKED BY		DATE						
				3 PLACES ± --- ± ---		JTAN02		2013/12/05						
				2 PLACES ± 0.20 ± ---		APPROVED BY		DATE						
				1 PLACE ± 0.20 ± ---		KHLIM		2014/01/27						
				0 PLACE ± --- ± ---		MATERIAL NO.		DOCUMENT NO.		SHEET NO.				
				ANGULAR ± 3 °		1510310001		SD-151031-0001		5 OF 5				
				DRAFT WHERE APPLICABLE MUST REMAIN WITHIN DIMENSIONS		SIZE A3		THIS DRAWING CONTAINS INFORMATION THAT IS PROPRIETARY TO MOLEX INCORPORATED AND SHOULD NOT BE USED WITHOUT WRITTEN PERMISSION						

10 9 8 7 6 5 4 3 2 1

THIS DESIGN IS BASED ON DESIGN OBJECTIVES AND IS STRICTLY TENTATIVE. IT MAY CHANGE BASED ON RESULTS OF ADDITIONAL DESIGN REVIEWS & VERIFICATIONS.



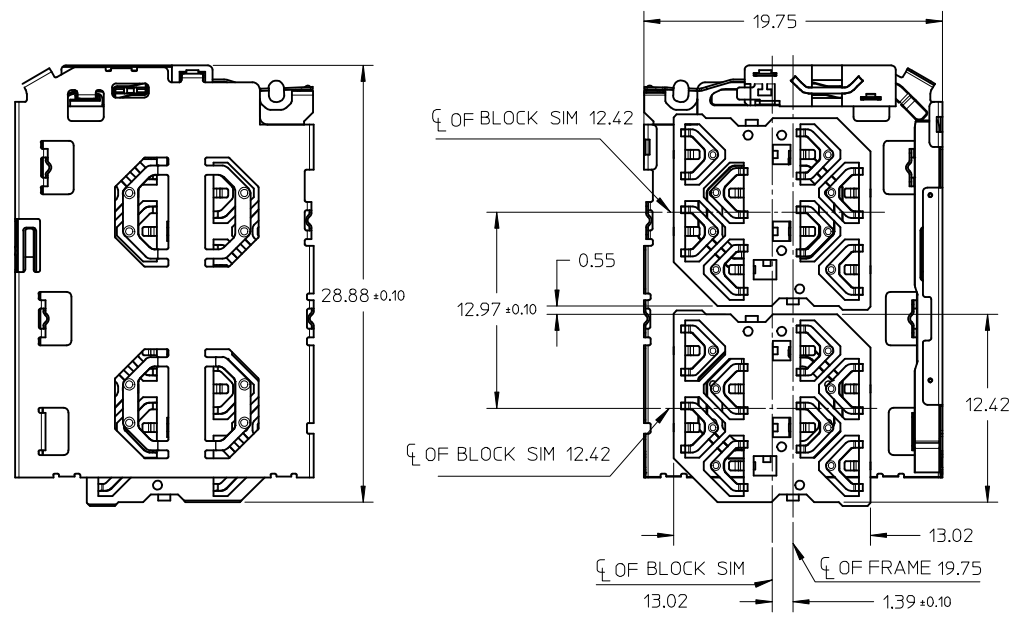
- NOTES:
- MATERIALS:
 INSERT MOLD HOUSING: LCP, UL94V-0;
 LEVER, SHAFT, EJECTOR, SHELL: STAINLESS STEEL;
 DETECT SPRING: COPPER ALLOY;
 - FINISHES:
 DETECT SPRING:
 1.27um MIN. NICKEL UNDERPLATING OVERALL;
 0.127um MIN. GOLD PLATING ON CONTACT AREA;
 1.27 um MIN. TIN PLATING ON SOLDERING TAIL;
 SHELL:
 1.27um MIN NICKEL UNDERPLATING OVERALL;
 0.025um MIN GOLD PLATING ON CONTACT AREA AND SOLDERING AREA;
 SHAFT: 1.27um MIN TIN ON SOLDERING TAIL;
 - PRODUCT SPECIFICATION: PS-151031-001;
 - PACKAGING SPECIFICATION: PK-151031-001;PK-151032-001
 - SOLDER TAIL COPLANARITY: 0.10 MM MAX BEFORE REFLOW
 - THIS PART IS A FRAME ONLY, IT SHOULD BE USED TOGETHER WITH 0.35MM BLOCK SIM 151032 FOR AN ENTIRE SIM POP OUT SYSTEM;
 - 0.10 MINIMUM KEEP OUT ZONE FROM TOP SURFACE OF SHELL DURING INSERTION AND WITHDRAWAL OF TRAY (WITH SIM CARD)
 - DATE CODE PRINTED: XX XX X
 DAY
 WEEK
 YEAR



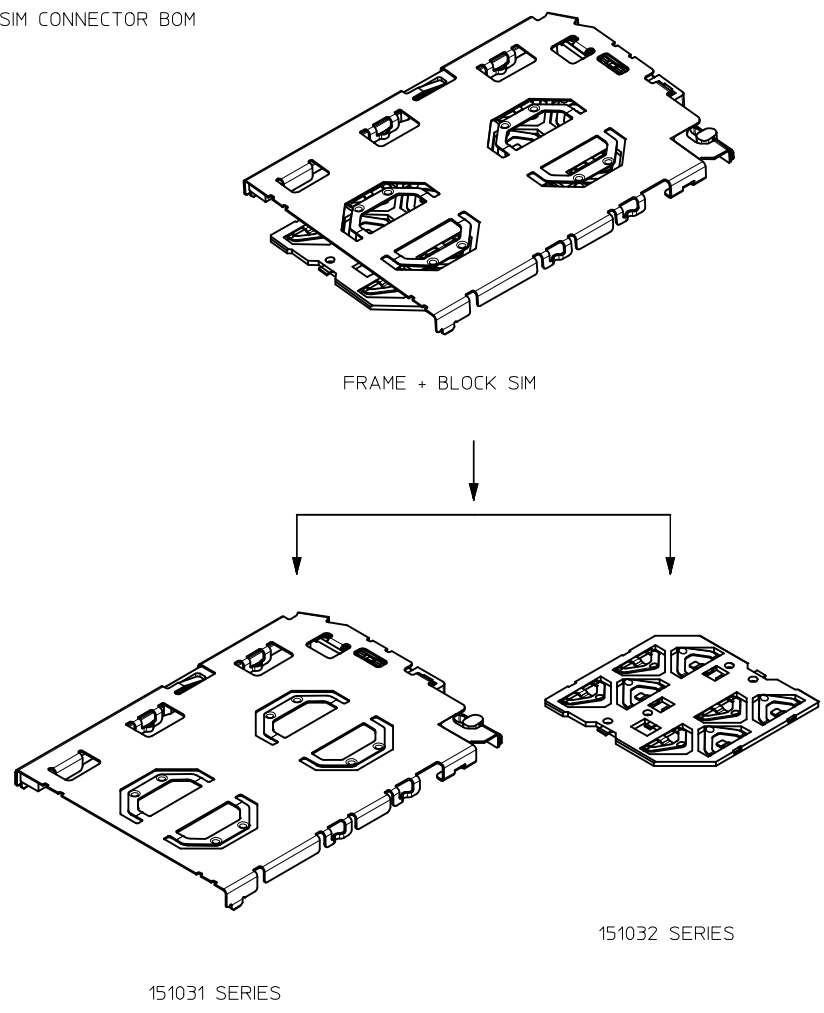
UPDATED DRAWING EC NO: S2014-0434 DRWN: JZENG 2013/12/13 CHKD: JTAN02 2014/01/02 APPR: KHLIM 2014/01/27	QUALITY SYMBOLS	GENERAL TOLERANCES (UNLESS SPECIFIED)	DIMENSION STYLE	SCALE	DESIGN UNITS	THIRD ANGLE PROJECTION
	$F_A=0$ $F_C=4$ $F_B=0$	mm INCH 4 PLACES ± --- ± --- 3 PLACES ± --- ± --- 2 PLACES ± 0.20 ± --- 1 PLACE ± 0.20 ± --- 0 PLACE ± --- ± ---	MM ONLY	NTS	METRIC	
	ANGULAR ± 3 ° DRAFT WHERE APPLICABLE MUST REMAIN WITHIN DIMENSIONS	DRAWN BY: JZENG CHECKED BY: KHLIM APPROVED BY: KHLIM DATE: 2013/12/13 DATE: 2014/01/27 DATE: 2014/01/27	TITLE	DUAL MICRO SIM FRAME 1.40H		
	MATERIAL NO. 1510310001 SIZE A3 THIS DRAWING CONTAINS INFORMATION THAT IS PROPRIETARY TO MOLEX INCORPORATED AND SHOULD NOT BE USED WITHOUT WRITTEN PERMISSION	DOCUMENT NO. SD-151031-0002 SHEET NO. 1 OF 4				

9 8 7 6 5 4 3 2 1

SIM CONNECTOR
(WITH 151032 BLOCK SIM CONNECTOR)



SIM CONNECTOR BOM



THIS DESIGN IS BASED ON DESIGN OBJECTIVES AND IS STRICTLY TENTATIVE. IT MAY CHANGE BASED ON RESULTS OF ADDITIONAL DESIGN REVIEWS & VERIFICATIONS.

SEE SHEET 1 EC NO: S2014-0434 DRWN: JZENG CHKD: JIAN02 APPR: KHL IM	2013/12/13	DESCRIPTION	QUALITY SYMBOLS
	2014/01/02		$F_A = 0$
	2014/01/27		$F_G = 0$
			$F_P = 0$

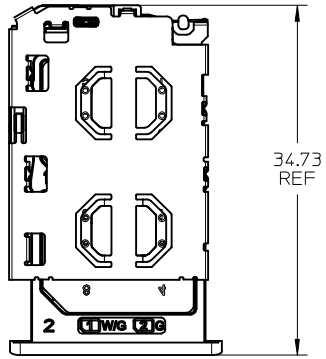
GENERAL TOLERANCES (UNLESS SPECIFIED)	
	mm INCH
4 PLACES	± --- ± ---
3 PLACES	± --- ± ---
2 PLACES	± 0.20 ± ---
1 PLACE	± 0.20 ± ---
0 PLACE	± --- ± ---
ANGULAR ± 3 °	
DRAFT WHERE APPLICABLE MUST REMAIN WITHIN DIMENSIONS	

DIMENSION STYLE MM ONLY	
DRAWN BY JZENG	DATE 2013/12/13
CHECKED BY	DATE
APPROVED BY KHL IM	DATE 2014/01/27
MATERIAL NO. 1510310001	
SIZE A3	

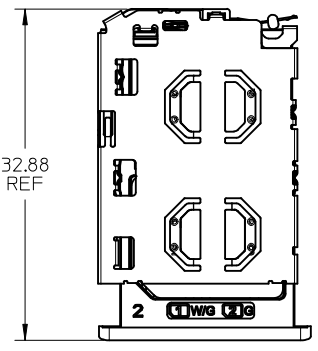
SCALE NTS	DESIGN UNITS METRIC	THIRD ANGLE PROJECTION
TITLE DUAL MICRO SIM FRAME 1.40H		
DOCUMENT NO. SD-151031-0002		SHEET NO. 2 OF 4
THIS DRAWING CONTAINS INFORMATION THAT IS PROPRIETARY TO MOLEX INCORPORATED AND SHOULD NOT BE USED WITHOUT WRITTEN PERMISSION		



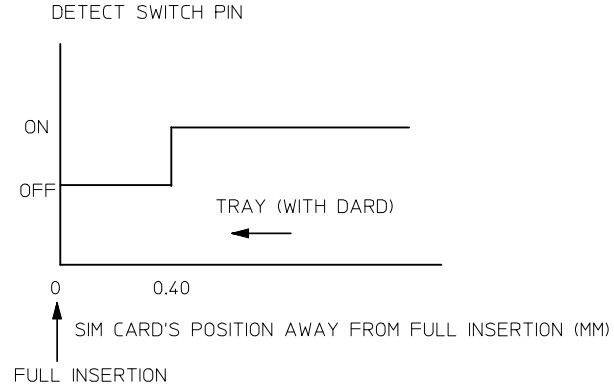
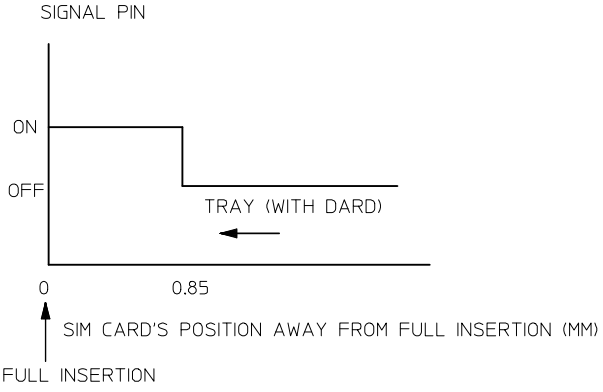
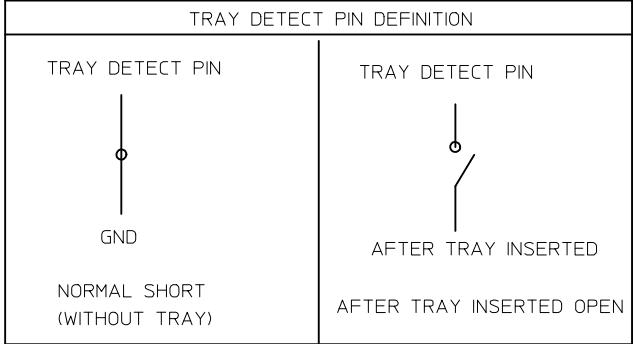
SIM CONNECTOR FRAME AND TRAY





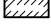
TRAY EJECTED POSITION

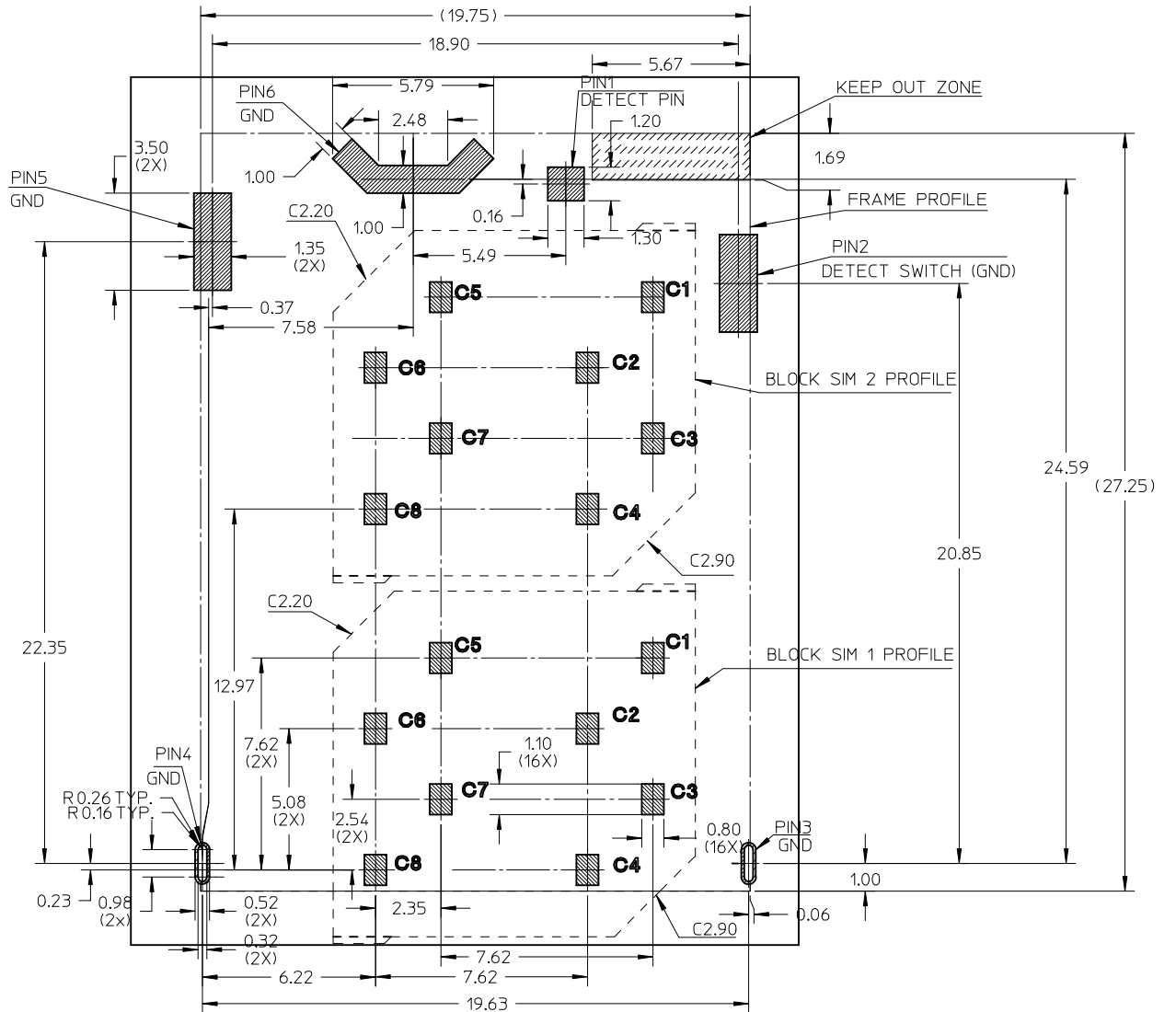


TRAY INSERTION POSITION



SEE SHEET 1 EC NO: S2014-0434 DRWN: JZENG CHKD: JIAN02 APPR: KHL IM	2013/12/13 2014/01/02 2014/01/27	DESCRIPTION QUALITY SYMBOLS $F_A=0$ $F_G=0$ $F_P=0$	GENERAL TOLERANCES (UNLESS SPECIFIED)		DIMENSION STYLE	SCALE	DESIGN UNITS	THIRD ANGLE PROJECTION		
					MM ONLY		METRIC			
					DRAWN BY	DATE	TITLE			
					CHECKED BY	DATE	DUAL MICRO SIM FRAME 1.40H			
		APPROVED BY		DATE						
		KHL IM		2014/01/27						
		MATERIAL NO.		DOCUMENT NO.	SHEET NO.					
		1510310001		SD-151031-0002	3 OF 4					
		SIZE		THIS DRAWING CONTAINS INFORMATION THAT IS PROPRIETARY TO MOLEX INCORPORATED AND SHOULD NOT BE USED WITHOUT WRITTEN PERMISSION						
		A3								

151031 FRAME SOLDERING AREA: 
 151032 BLOCK SIM SOLDERING AREA: 
 KEEP OUT ZONE: 



THIS DESIGN IS BASED ON DESIGN OBJECTIVES AND IS STRICTLY TENTATIVE. IT MAY CHANGE BASED ON RESULTS OF ADDITIONAL DESIGN REVIEWS & VERIFICATIONS.

RECOMMENDED PCB LAYOUT: TOLERANCE ±0.05
 RECOMMENDED PCB THICKNESS: 0.80MM
 RECOMMENDED STENCIL THICKNESS: 0.10MM

SEE SHEET 1 EC NO: S2014-0434 DRWN: JZENG CHKD: JTAN02 APPR: KHL IM	2013/12/13 2014/01/02 2014/01/27	DESCRIPTION	QUALITY SYMBOLS	GENERAL TOLERANCES (UNLESS SPECIFIED)	DIMENSION STYLE	SCALE	DESIGN UNITS	THIRD ANGLE PROJECTION
			$F_A = 0$ $F_C = 0$ $F_P = 0$	mm INCH 4 PLACES ± --- ± --- 3 PLACES ± --- ± --- 2 PLACES ± 0.20 ± --- 1 PLACE ± 0.20 ± --- 0 PLACE ± --- ± ---	MM ONLY	NTS	METRIC	TITLE
			ANGULAR ± 3 ° DRAFT WHERE APPLICABLE MUST REMAIN WITHIN DIMENSIONS	DRAWN BY: JZENG CHECKED BY: APPROVED BY: KHL IM MATERIAL NO: 1510310001	DATE: 2013/12/13 DATE: DATE: 2014/01/27	DUAL MICRO SIM FRAME 1.40H		
			THIS DRAWING CONTAINS INFORMATION THAT IS PROPRIETARY TO MOLEX INCORPORATED AND SHOULD NOT BE USED WITHOUT WRITTEN PERMISSION			molex DOCUMENT NO: SD-151031-0002 SHEET NO: 4 OF 4		