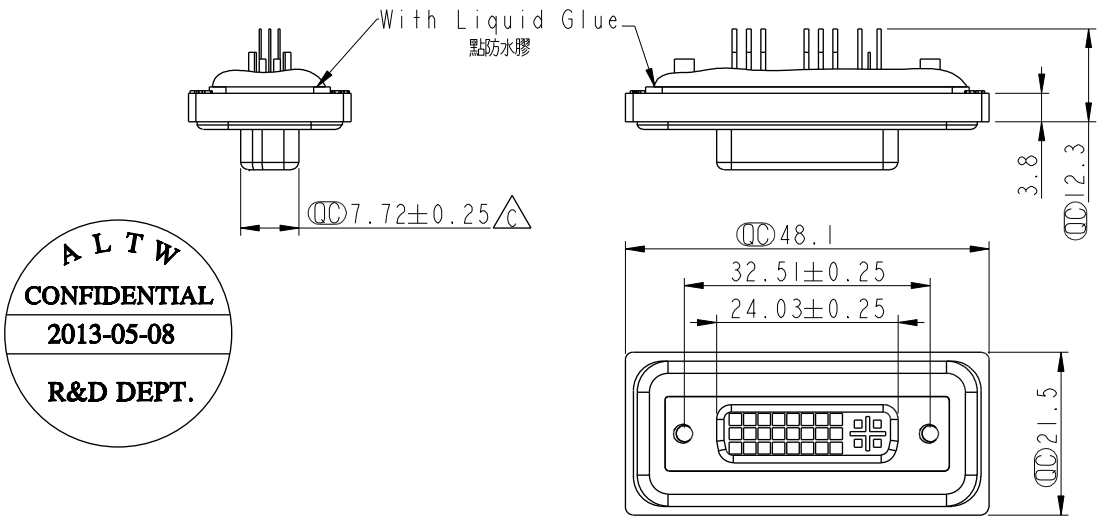
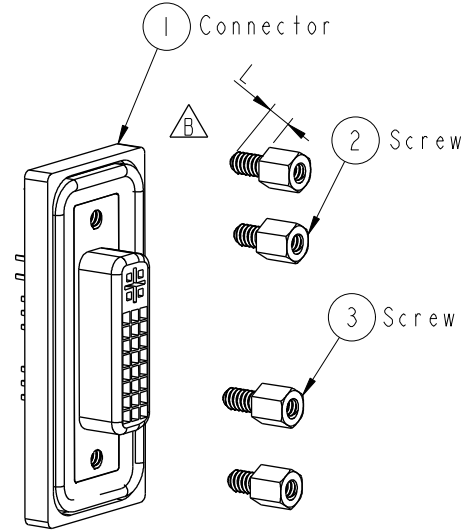


REV.	ECN NO.	DATE	SIGN	DESCRIPTION
B	LE3-710147	2006/12/13	Gao Ling	Move O-ring to ZSE00100842
C	LEN1350172	2013/05/08	Sam	Modify Dimension



ALTW
CONFIDENTIAL
2013-05-08
R&D DEPT.



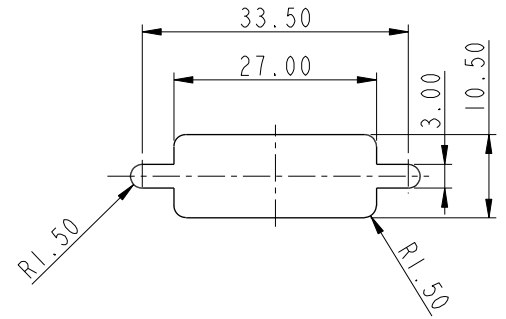
ALTW
DCC. DEPT.
CONFIDENTIAL
2013.05.15
ISSUED

- Note:
- * \varnothing Important Dimension.
 - * Waterproof Rate : IP68
IP68: 1M of depth of water 24 hours
(防水等級 : IP68)
(IP68: 1米水深 24小時)
 - * Do Mating Test After Glued
點膠後, 須作對插測試
 - * Add glue can't highly exceed pin
(點膠高度不得蓋過 pin 針)
 - * DVI Conn. : Nylon66, Black Core
 - * Plastic Jacket : Nylon+GF, Black
 - * Pin : Copper Alloy, Gold Plated
 - * Ring : Light Silicone, Blue
 - * Screw : Copper Alloy, Nickel Plated, #4-40 UNC



Screw L=5.0 For Panel Thickness
Under 1.2mm
適用板厚為 1.2mm 以下

Screw L=6.0 For Panel Thickness
Between 1.2~2.0mm
適用板厚為 1.2~2.0mm



Recommended Panel Cut-Out
建議挖孔尺寸

UNIT:mm	\varnothing	\varnothing
TOLERANCE		
.X	± 0.25	
.XX	± 0.1	
.XXX	± 0.05	
ANGLES	± 1	

TITLE Female DVI Connector(18+5)			
SCALE 1:1	SIZE A4	SHEET 1 OF 1	
REV. C	WC-REV. A.2	\varnothing : Inspection item	

Amphenol LTW
安費諾亮泰企業股份有限公司

ITEM NO. DIS-23PFFS-SL8001	DRAWN BY SamChang	DATE 2013-05-08
DWG NO. DIS-23PFFS-SL8001	CHECKED BY Rita	DATE 2013-05-08
CUSTOMER ALTW	APPROVED BY Maslow	DATE 2013-05-08

THIS DOCUMENT IS SUBJECT TO CHANGE WITHOUT NOTICE. IT IS CONFIDENTIAL AND A PROPERTY OF Amphenol LTW. DISCLOSURE TO THIRD PARTY HAS TO BE AUTHORIZED BY Amphenol LTW.