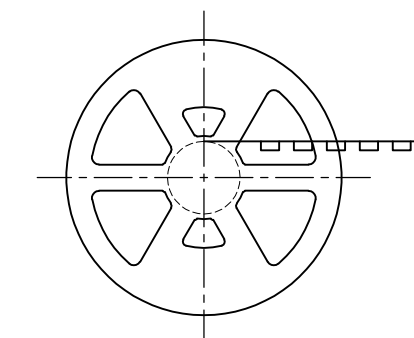
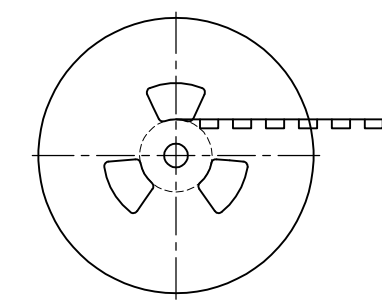
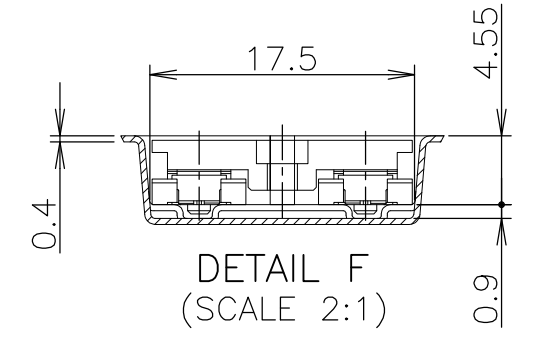
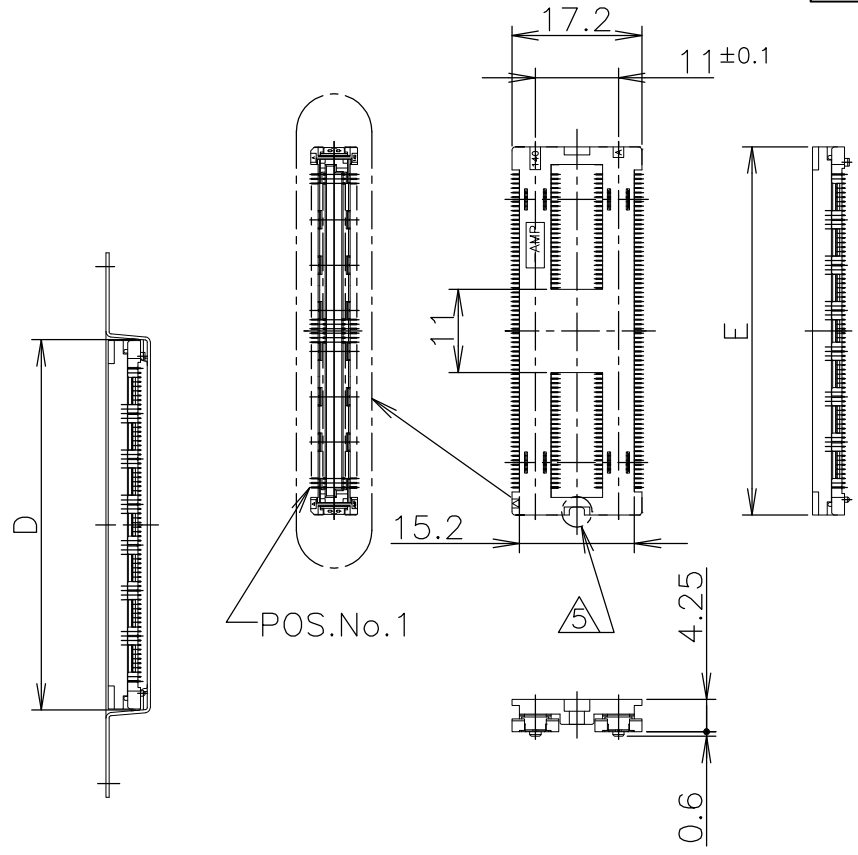
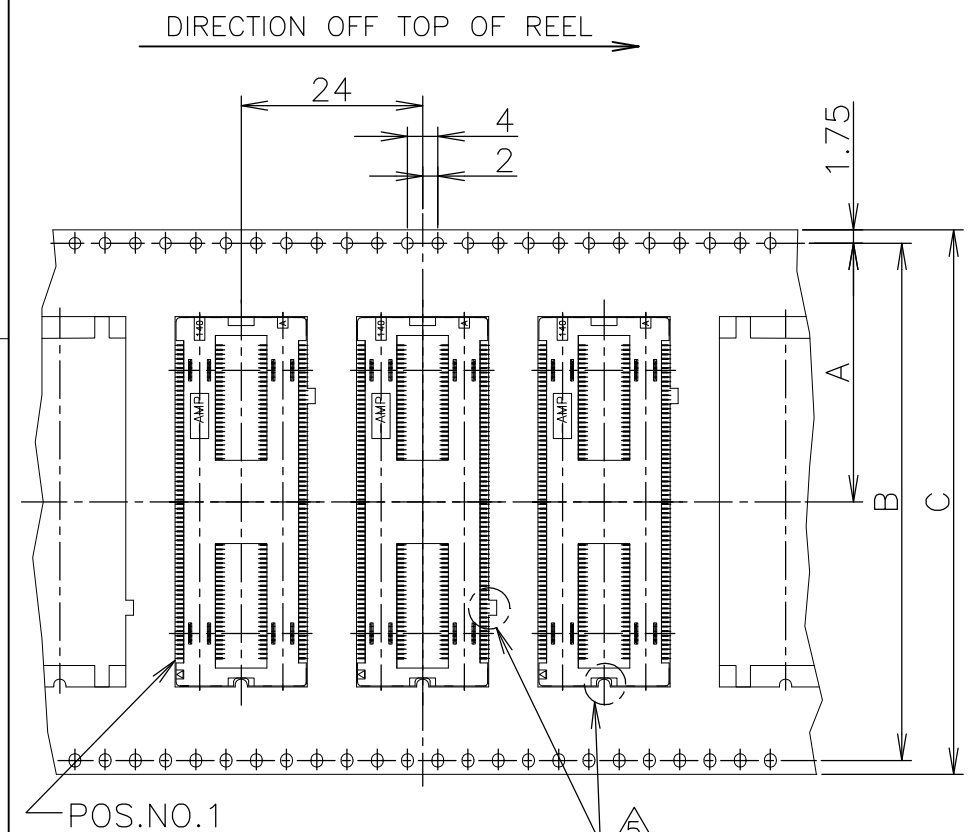


THIS DRAWING IS UNPUBLISHED. RELEASED FOR PUBLICATION JUN , 1996.
 © COPYRIGHT 1996 By - ALL RIGHTS RESERVED.

LOC	DIST	REVISIONS					
		P	LTR	DESCRIPTION	DATE	DWN	APVD
J		A1	REVISED	ECR-15-005119	02APR2015	I.T	W.H

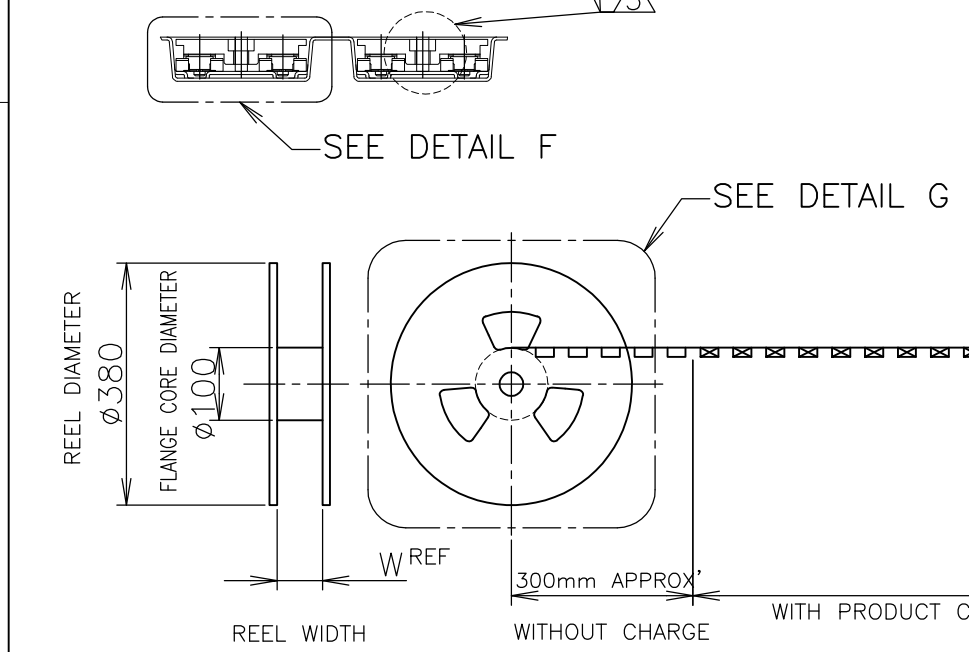


CONNECTOR DETAIL

PAPER REEL

PLASTIC REEL

DETAIL G



WEEDING THE COVER TAPE AROUND THE OUTER PERIPHERY IN A TURN.

SEALANT	REEL	TOOLING STATUS	QTY	W	E	D	C	B	A	POS.	PART NO.
---	NOT AVAILABLE		650	77.5	54.7	55	72	68.4	34.2	320	6-5353206-1
PAPER	AVAILABLE		↑	77.5	48.7	49	72	68.4	34.2	280	6-↑-0
---	NOT AVAILABLE		↑	61.5	42.7	43	56	52.4	26.2	240	5-↑-9
---	NOT AVAILABLE		650	61.5	36.7	37	56	52.4	26.2	200	5-5353206-8
---	NOT AVAILABLE		650	77.5	54.7	55	72	68.4	34.2	320	1-5353206-1
PLASTIC	AVAILABLE		↑	77.6	48.7	49	72	68.4	34.2	280	1-↑-0
---	NOT AVAILABLE		↑	61.5	42.7	43	56	52.4	26.2	240	↑-9
PAPER	NOT AVAILABLE		650	61.5	36.7	37	56	52.4	26.2	200	5353206-8

- 4 THIS PRODUCT WAS COATED BY FLUX-PENETRATION -INHIDITING AGENT.
- 5 CAP HOUSING AND EMBOSS TAPE FOR ONLY 280P HAS THESE ORIENTATION AND SUNK FEATURES.

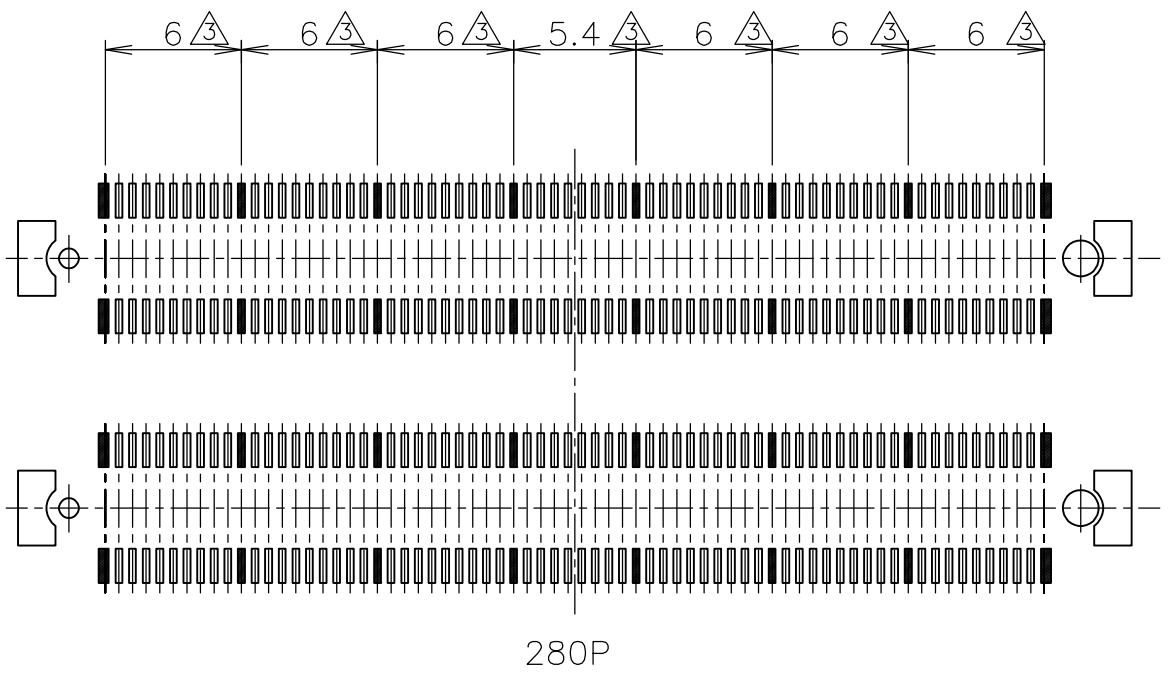
THIS DRAWING IS A CONTROLLED DOCUMENT.

DIMENSIONS: 单位: 毫米 mm	TOLERANCES UNLESS OTHERWISE SPECIFIED: 一般公差	DWN HAWKING HE 14DEC04	 TE Connectivity
	0 PLC ± 0.2	CHK STEVEN YAO 14DEC04	
	1 PLC ± 0.2	APVD I.ENOMOTO 14DEC04	
	2 PLC ± 0.2	NAME 名称	
3 PLC ± 0.2	4 PLC ± 0.2	PRODUCT SPEC 製品規格	EMBOSS ASSY
4 PLC ± 0.2	FINISH 仕上	APPLICATION SPEC 取付適用規格	FH 0.6BTB CONNECTOR
MATERIAL 材料		WEIGHT	REC 4H 2ROW TYPE W/G-CONT
			SIZE CAGE CODE DRAWING NO 番号
			A3 00779 C-5353206
			RESTRICTED TO
			SCALE 尺度 1:1 SHEET 1 OF 3 REV A1

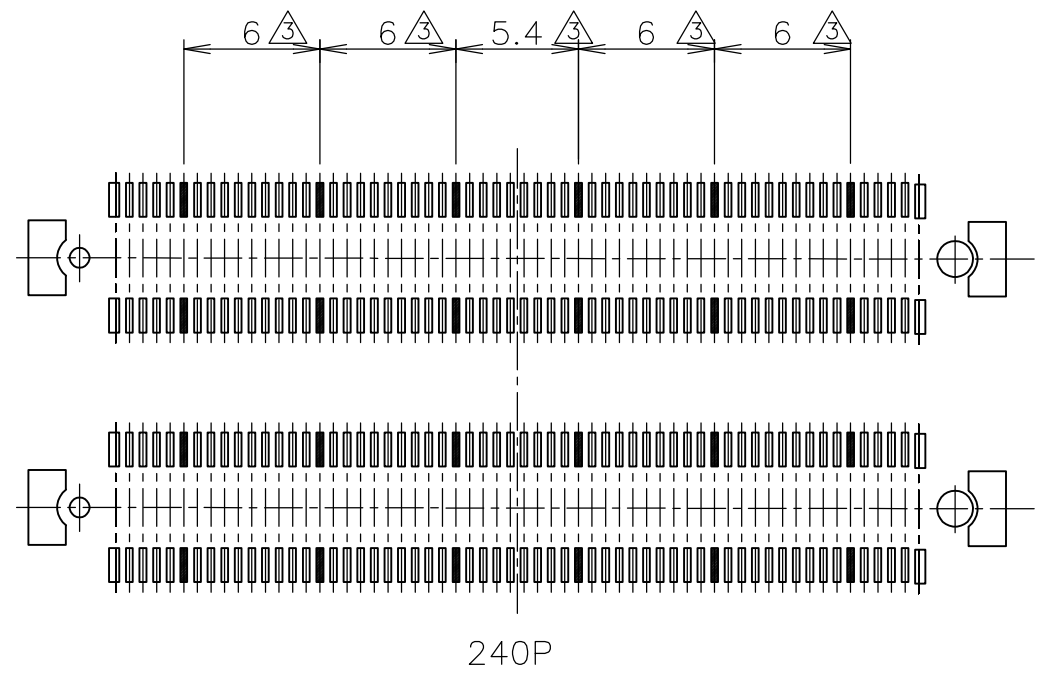
CUSTOMER DRAWING

THIS DRAWING IS UNPUBLISHED. RELEASED FOR PUBLICATION JUN , 1996.
 © COPYRIGHT 1996 By - ALL RIGHTS RESERVED.

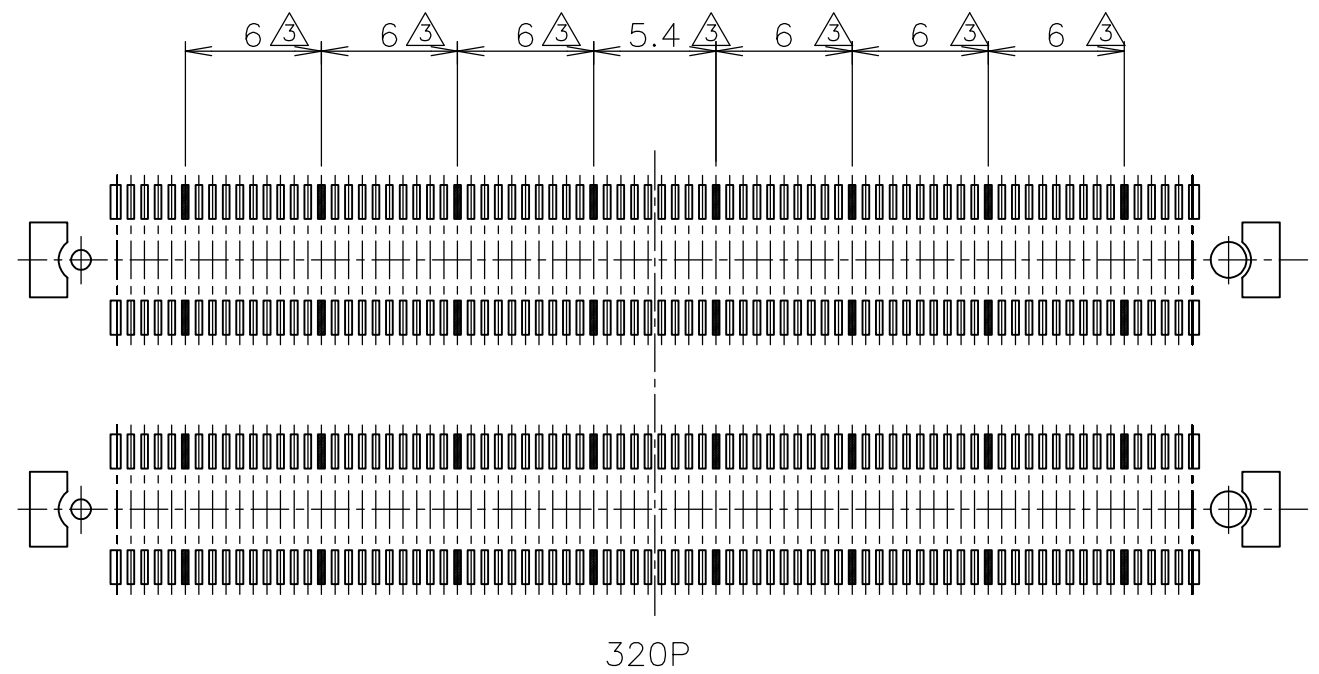
LOC	DIST	REVISIONS 変更			
P	LTR	DESCRIPTION	DATE	DWN	APVD
		SEE SHEET 1	-	-	-



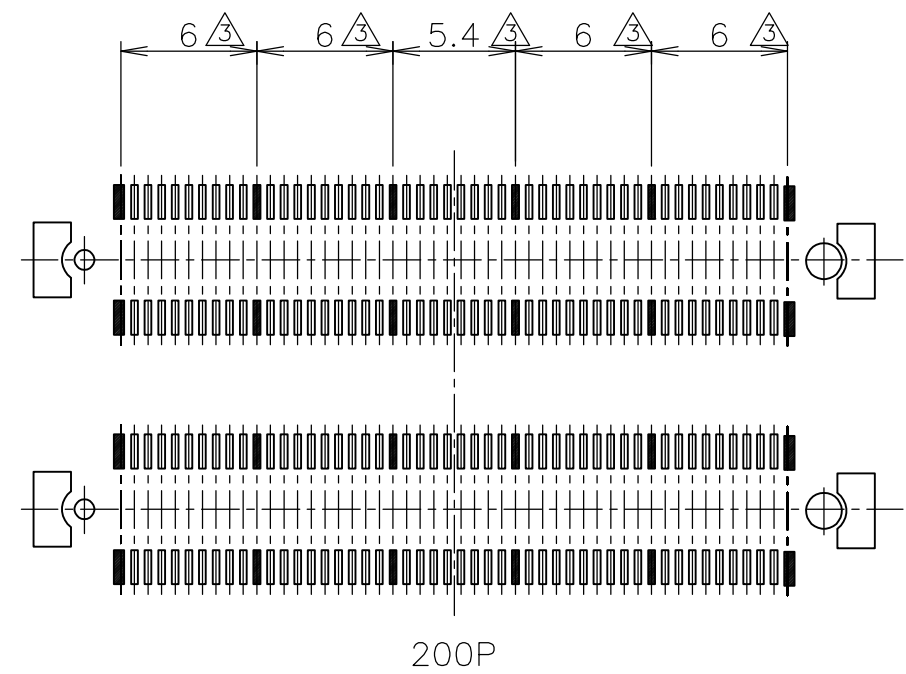
280P



240P



320P



200P

GENERAL TOLERANCE
一般公差

10 ≥	±0.2
30 ≥	>10: ±0.25
100 ≥	>30: ±0.3
ANGLES: ±3°	

THIS DRAWING IS A CONTROLLED DOCUMENT.

DIMENSIONS: 単位: 耗 mm	TOLERANCES UNLESS OTHERWISE SPECIFIED: 一般公差
	0 PLC ± - 1 PLC ± - 2 PLC ± - 3 PLC ± - 4 PLC ± - ANGLES ± -
MATERIAL 材料	FINISH 仕上

DWN
CHK
APVD
PRODUCT SPEC 製品規格
APPLICATION SPEC 取付適用規格
WEIGHT
CUSTOMER DRAWING

TE Connectivity			
NAME 名称			
EMBOSS ASSY FH 0.6BTB CONNECTOR REC 4H 2ROW TYPE W/G-CONT			
SIZE	CAGE CODE	DRAWING NO 番号	RESTRICTED TO
A3	00779	C-5353206	
SCALE 尺度 3:1		SHEET 3 OF 3	REV A1