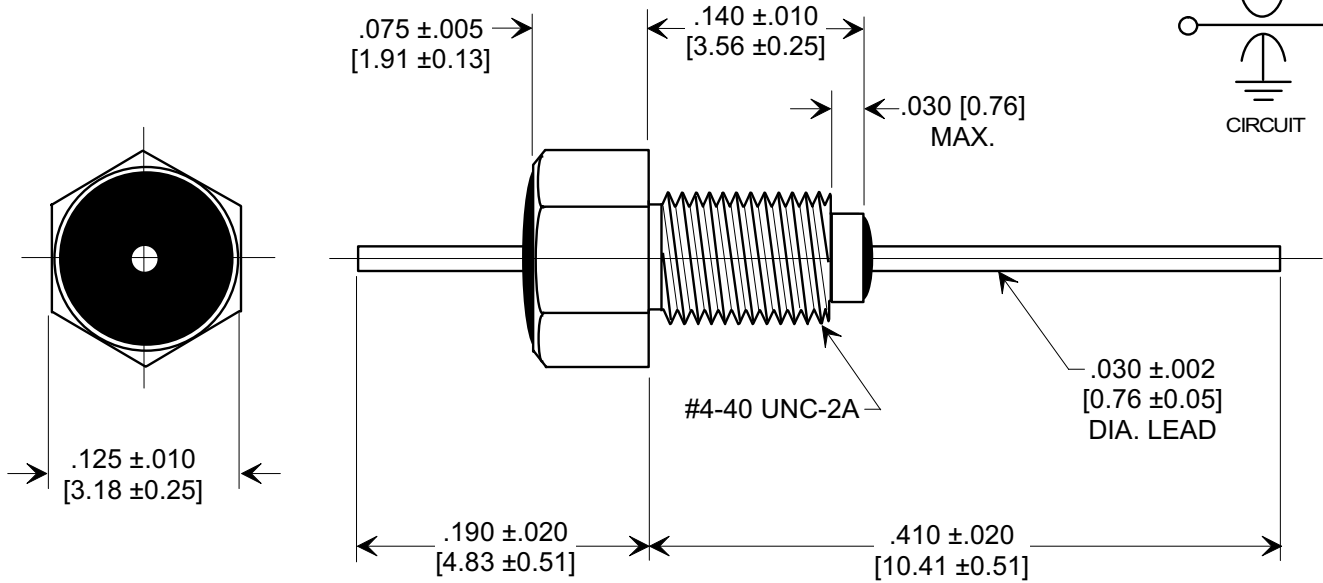
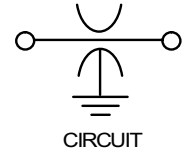
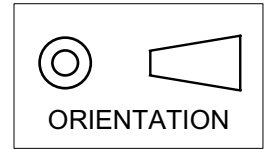


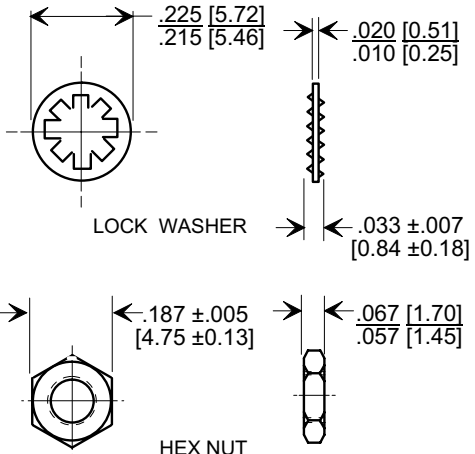
# MARKETING SALES DRAWING

**DIMENSIONS IN INCHES - DO NOT SCALE THIS DRAWING**  
**DIMENSIONS IN METRIC - [ ]**

Electrical Testing  
 per Tusonix standard  
 test plans and Mil-Std-202  
 Test Methods.



### MOUNTING HARDWARE



### NOTES:

1. OPERATING TEMPERATURE RANGE: -55°C TO +125°C.
2. SILVER PLATED CASE, LEAD AND MOUNTING HARDWARE.
3. MAX. RECOMMENDED MOUNTING TORQUE : 2.0 lb. - in.
4. MAX. RECOMMENDED SOLDERING TEMPERATURE : 260°C. SEE INSTALLATION RECOMMENDATIONS.
5. NUT AND LOCKWASHER INCLUDED.
6. TUSONIX TRADEMARK AND PART VARIATION NUMBER STAMPED ON HEX FLATS.

25	GMV	300	200	10	---	---	---	10	25
CAP.(pf)	TOLERANCE	+85 °C	+125 °C	DC CURRENT (AMPS)	1 MHz	10 MHz	100 MHz	1 GHz	10 GHz
		DC WORKING VOLTAGE							

<b>REVISION RECORD</b>	0	Original Release C.O. 6965				--TOLERANCES-- Unless Otherwise Specified	Title <b>MINI BUSHING STYLE EMI FILTER</b>		
	1	-040 & -680 ADDED, DC WAS5. E.C. 11-20-92				DECIMAL ± NOTED	Drawn	S.M. 06-10-02	Scale 8 X
	2	7052	RDN TO COMP FMT. S.M. 07-16-02			ANGLES ± NOTED	Approved		
			20020715-1-27			<b>TUSONIX</b> TUCSON, ARIZONA	<b>A</b>	<b>4403-039</b>	

# Mouser Electronics

Authorized Distributor

Click to View Pricing, Inventory, Delivery & Lifecycle Information:

[Tusonix / CTS:](#)

[4403-039LF](#)