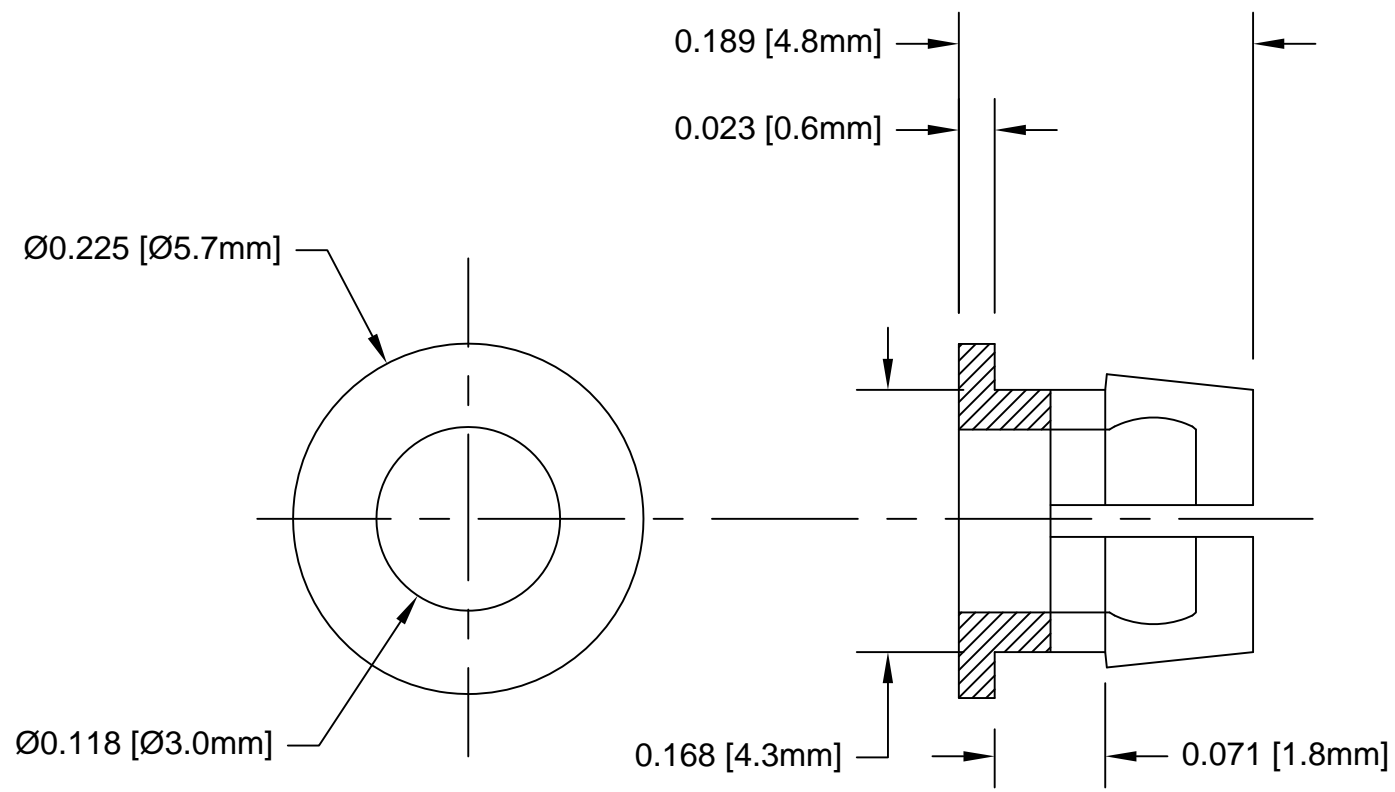


REV.	DESCRIPTION	DATE	APPROVED
A	Engineering Release	01/23/07	M. C.
B	Changed Outer Diameter from .232 to .225	03/28/07	M. C.
C	Added 0.168 Dimension	08/12/09	T. Y.
D	Removed Material Code	05/28/16	J. C.



2. MATERIAL: NYLON 6/6, 94V-2, BLACK.

1. GENERAL SPECIFICATIONS: BIVAR MOLDED COMPONENT SPECIFICATION BV00-101.

STANDARD TOLERANCE ( UNLESS OTHERWISE SPECIFIED )		BIVAR <sup>®</sup>	
DECIMALS	ANGULAR	4 THOMAS, IRVINE, CA. 92618 TEL: (949) 951-8808 FAX: (949) 951-3974	
.X ± .1	X° ± 1°	<b>TITLE:</b> T-1 (3mm) LED CLIP <b>PART NO:</b> C-101 <b>REVISION:</b> D	
.XX ± .01			
.XXX ± .005			
DESIGNED: <b>S. Dam</b>	DATE: <b>01/23/07</b>	<b>CAGE CODE : 32559</b>	<b>SHEET # 1 OF 1</b>
CHECKED: <b>T. Yin</b>	DATE: <b>01/23/07</b>	CAD GENERATED DOCUMENT. DO NOT MEASURE DRAWING.	