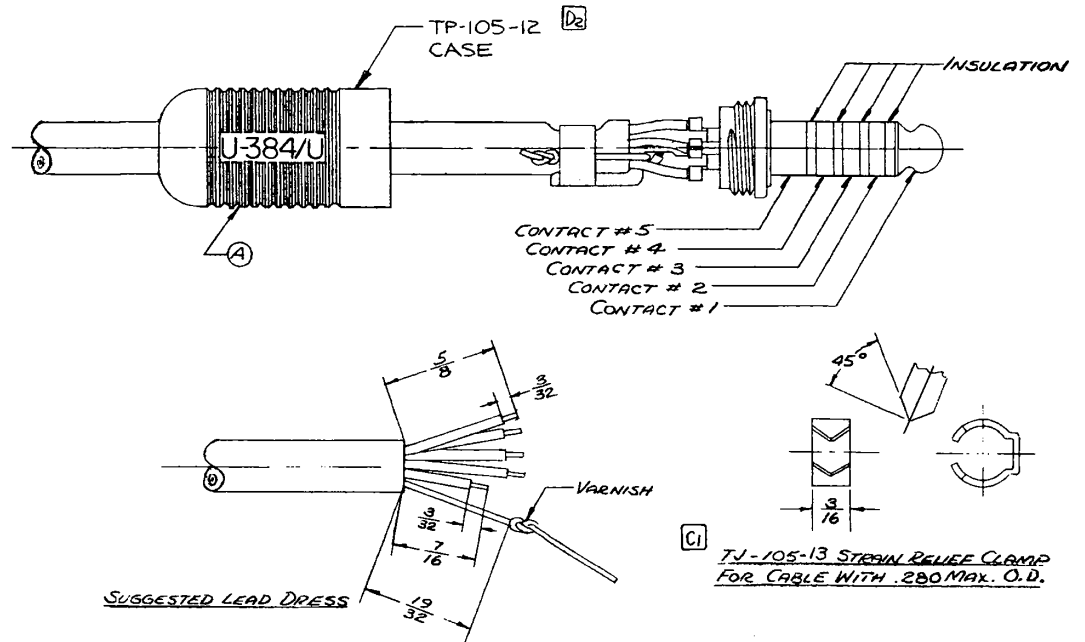


CONDENSED SPECIFICATION:

- THIS PLUG MATES WITH NEXUS TELEPHONE JACK TJ-105.
- THE STRAIN RELIEF CLAMP IS INTENDED FOR USE WITH CABLES APPROXIMATELY .275 OUTSIDE DIAMETER.
- THE SOLDER TERMINALS ARE TINNED AND EACH WILL ACCEPT TWO STRANDED CONDUCTORS OF 404 CIRCULAR MILLS (24 GAGE, 41 STRANDS OF #40 AWG) EXCEPT TERMINAL #1 WHICH WILL ACCEPT ONE CONDUCTOR.
- EACH CONDUCTOR IS OF ONE PIECE CONSTRUCTION - THERE ARE NO JOINTS OF ANY TYPE BETWEEN THE CONTACT AREA AND THE SOLDER TERMINALS.
- THE .281 STACK DIAMETER IS MACHINED AFTER INSERT MOLDING SO THE CONTACTS AND INSULATION ARE FLUSH AND CONCENTRIC.
- THE STAY CORD ANCHOR WILL WITHSTAND A 50 POUND PULL FOR AT LEAST 5 MINS.
- THE CONCENTRICITY OF THE BALL END OF THE PLUG TO THE .281 DIA. IS SUCH THAT THE PLUG WILL FREELY ENTER A RING GAGE HAVING A MAX. INTERNAL DIA. OF .284 FOR A LENGTH OF .730 & A MAX. INTERNAL DIA. OF .254 FOR A LENGTH OF .175 WITH NO FORCE EXCEPT ITS OWN WEIGHT.
- MATERIALS:
 - CONTACTS - NICKEL-COPPER ALLOY PER FEDERAL SPEC. QQ-N-281, (MONEL).
 - STACK INSULATION -
 - STRAIN RELIEF CLAMP - STAINLESS STEEL PER FEDERAL SPEC. QQ-S-766 CLASS 4.
 - SHELL BLACK.
- ELECTRICAL:
 - DIELECTRIC STRENGTH - 500 VOLTS RMS MIN. BETWEEN ANY PAIR OF CONTACTS.
 - INSULATION RESISTANCE - 100 MEGOHMS MIN. BETWEEN ANY PAIR OF CONTACTS.
 - CONTACT RESISTANCE - WHEN MATED WITH NEXUS TJ-105 TELEPHONE JACK AND WITH DIRECT CURRENT OF 100 MILL-AMPERES AT 5 VOLTS (OPEN CIRCUIT VOLTAGE) FLOWING THROUGH THE CONTACTS, THE POTENTIAL DROP BETWEEN EACH PAIR OF CONTACTS WILL NOT EXCEED .005 VOLTS.



DESIGNED BY R.W.F.	DATE 5-10-64	MATERIAL
CHECKED BY		FINISH
APPROVED BY		WEIGHT
UNLESS OTHERWISE SPECIFIED DIMENSIONS ARE IN INCHES FRACTIONS DECIMALS ANGLES		SCALE 2:1 & 4:1
TITLE TELEPHONE PLUG		NEXUS STAMFORD, CONN.
REV. NO.	DATE	SIZE DWR. NO.
1	1/19/64	C TP-105
2	1/21/64	
3	5/20/64	
4	5/20/64	
5	5/20/64	
6	5/20/64	
7	5/20/64	
8	5/20/64	
9	5/20/64	
10	5/20/64	
11	5/20/64	
12	5/20/64	
13	5/20/64	
14	5/20/64	
15	5/20/64	
16	5/20/64	
17	5/20/64	
18	5/20/64	
19	5/20/64	
20	5/20/64	
21	5/20/64	
22	5/20/64	
23	5/20/64	
24	5/20/64	
25	5/20/64	
26	5/20/64	
27	5/20/64	
28	5/20/64	
29	5/20/64	
30	5/20/64	
31	5/20/64	
32	5/20/64	
33	5/20/64	
34	5/20/64	
35	5/20/64	
36	5/20/64	
37	5/20/64	
38	5/20/64	
39	5/20/64	
40	5/20/64	
41	5/20/64	
42	5/20/64	
43	5/20/64	
44	5/20/64	
45	5/20/64	
46	5/20/64	
47	5/20/64	
48	5/20/64	
49	5/20/64	
50	5/20/64	
51	5/20/64	
52	5/20/64	
53	5/20/64	
54	5/20/64	
55	5/20/64	
56	5/20/64	
57	5/20/64	
58	5/20/64	
59	5/20/64	
60	5/20/64	
61	5/20/64	
62	5/20/64	
63	5/20/64	
64	5/20/64	
65	5/20/64	
66	5/20/64	
67	5/20/64	
68	5/20/64	
69	5/20/64	
70	5/20/64	
71	5/20/64	
72	5/20/64	
73	5/20/64	
74	5/20/64	
75	5/20/64	
76	5/20/64	
77	5/20/64	
78	5/20/64	
79	5/20/64	
80	5/20/64	
81	5/20/64	
82	5/20/64	
83	5/20/64	
84	5/20/64	
85	5/20/64	
86	5/20/64	
87	5/20/64	
88	5/20/64	
89	5/20/64	
90	5/20/64	
91	5/20/64	
92	5/20/64	
93	5/20/64	
94	5/20/64	
95	5/20/64	
96	5/20/64	
97	5/20/64	
98	5/20/64	
99	5/20/64	
100	5/20/64	