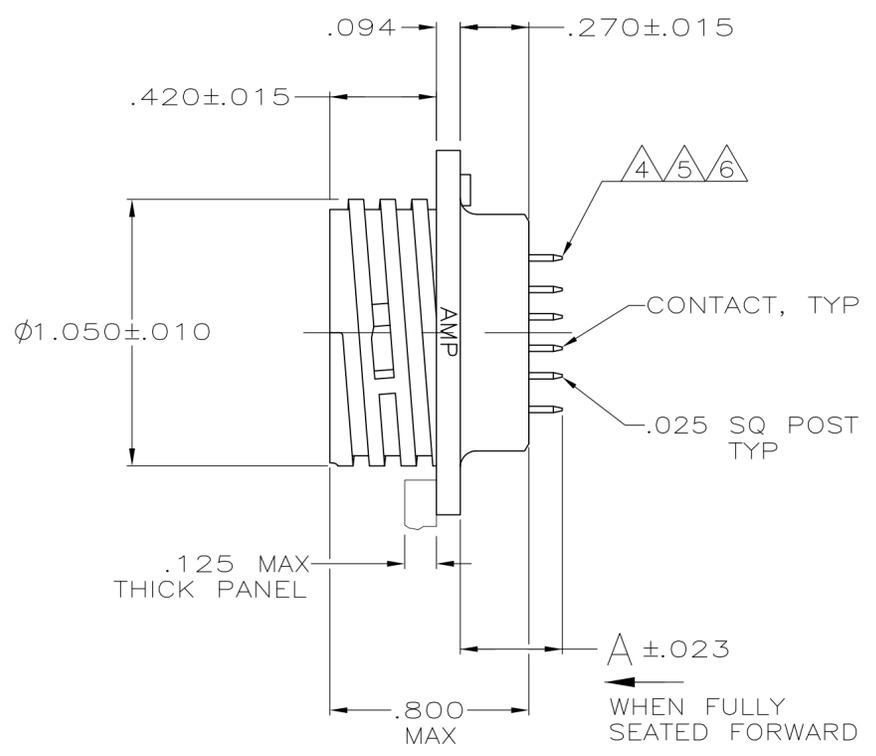
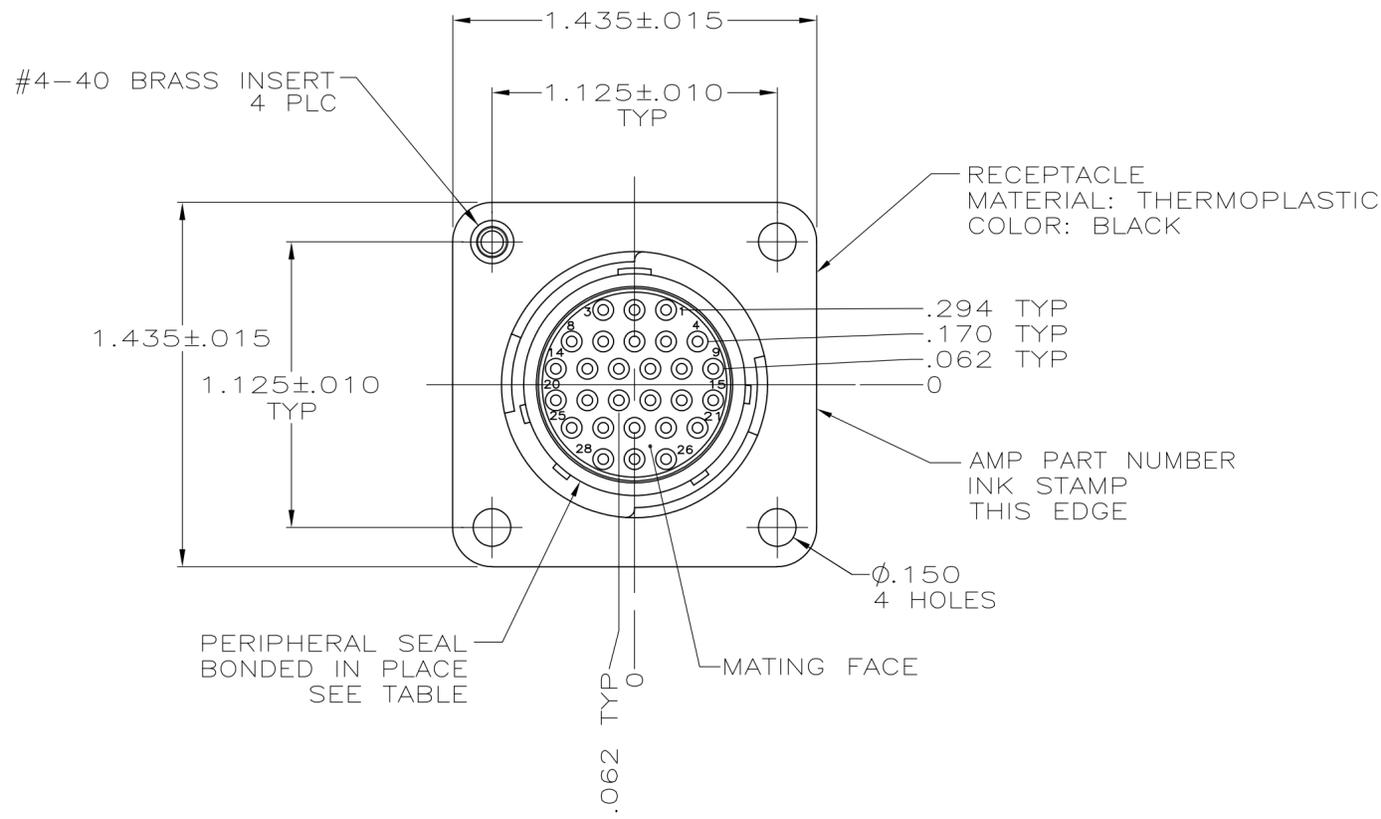


THIS DRAWING IS UNPUBLISHED. RELEASED FOR PUBLICATION
 © COPYRIGHT - By - ALL RIGHTS RESERVED.

REVISIONS					
P	LTR	DESCRIPTION	DATE	DWN	APVD
	AD4	REVISED PER ECO-16-004800	08SEP2016	NK	MZ
	AE	REVISED PER ECO-16-018356	22MAR2017	RS	MZ



- 1 CONTACT CAVITIES IDENTIFIED BY CHARACTERS ON FRONT AND REAR FACE OF CONNECTOR.
- 2 GOLD FLASH FOR A LENGTH OF .100 MIN FROM MATING END, .000100 MIN TIN-LEAD FOR A LENGTH OF DIMENSION 'A' FROM OPPOSITE END, ALL OVER .000050 MIN NICKEL.
- 3 .000030 MIN GOLD FOR A LENGTH OF .100 MIN FROM MATING END, .000100 MIN TIN-LEAD FOR A LENGTH OF DIMENSION 'A' FROM OPPOSITE END, ALL OVER .000050 MIN NICKEL.
- 4 CONTACTS TO BE SELECTIVELY LOADED INTO POSITIONS 1, 3, 4, 8, 14, 15, 21, 25, 26, 27 AND 28; FOR -1 ONLY.
- 5 CONNECTOR TO BE FULLY LOADED FOR -2, -3, -6, AND -8.
- 6 CONTACTS TO BE SELECTIVELY LOADED INTO POSITIONS 1 THRU 27; FOR -9 ONLY.
- 7 .000030 MIN GOLD FOR A LENGTH OF .100 MIN FROM MATING END, .000100 MIN TIN FOR A LENGTH OF DIMENSION 'A' FROM OPPOSITE END, ALL OVER .000050 MIN NICKEL.
- 8 GOLD FLASH FOR A LENGTH OF .100 MIN FROM MATING END, .000100 MIN TIN-LEAD FOR A LENGTH OF DIMENSION 'A' FROM OPPOSITE END, ALL OVER .000050 MIN NICKEL.
- 9 OBSOLETE PARTS: OBSOLETE CIS STREAMLINING PER D.RENAUD/D.SINISI

OBSOLETE	NO	YES	8	.851	-2-207216-1
8	NO	YES	8	.402	-2-207216-0
OBSOLETE	NO	YES	8	.402	-1-207216-9
OBSOLETE	YES	NO	8	.851	-1-207216-8
	NO	NO	7	.629	1-207216-7
	NO	NO	8	.402	1-207216-6
9	OBSOLETE	NO	7	.629	-1-207216-4
OBSOLETE	NO	YES	3	.629	-1-207216-3
OBSOLETE	NO	YES	3	.851	-1-207216-2
8	OBSOLETE	NO	2	.402	-1-207216-1
OBSOLETE	NO	YES	2	.402	-1-207216-0
OBSOLETE	YES	NO	2	.851	-207216-9
	NO	NO	3	.629	207216-8
OBSOLETE	NO	YES	3	.629	-207216-6
OBSOLETE	NO	YES	2	.402	-207216-3
	NO	NO	2	.402	207216-2
OBSOLETE	NO	NO	2	.402	-207216-1
	SEAL	THREADED INSERT	CONTACT FINISH	A	PART NUMBER

THIS DRAWING IS A CONTROLLED DOCUMENT.

DWN	J. GALLUCCI BG	5-22-91
CHK	W.G. LENKER	4-14-92
APVD	K. BEAVER	4-14-92

TE Connectivity

RECEPTACLE ASSEMBLY, POSTED, RVS SEX, 17-28, SERIES 2, CPC

SIZE	A2	CAGE CODE	00779	DRAWING NO	C=207216	RESTRICTED TO	-
SCALE	2:1	SHEET	1 of 1	REV	AE		

CUSTOMER DRAWING