

TECHNICAL CHARACTERISTICS

MATERIAL
 INSULATOR: LCP
 FLAMABILITY RATING: UL94-V0
 COLOR: BLACK
 CONTACT MATERIAL: COPPER ALLOY
 CONTACT PLATING: GOLD
 COVER MATERIAL: STAINLESS STEEL
 COVER PLATING: Ni
 QUALITY CLASS: 10 000 MATING CYCLES

ENVIRONMENTAL
 OPERATING TEMPERATURE: -20 UP TO 60°C
 COMPLIANCE: LEAD FREE AND ROHS

ELECTRICAL
 CURRENT RATING: 1A
 WORKING VOLTAGE: 10 VAC
 INSULATOR RESISTANCE: >1000 MOHM
 DIELECTRIC WITHSTANDING VOLTAGE: 500 VAC/MN
 CONTACT RESISTANCE: 100 mOHM MAX

SOLDERING
 JEDEC LEAD FREE REFLOW SOLDERING PROCESS

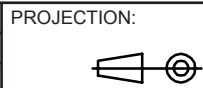
PACKAGING
 TAPE & REEL

A

B

C

RoHS Compliant			
G			
F			
E			
D			
C			
B	13-NOV-15	PINNING	AK
A	26-AUG-15	PDF	AK
REV	DATE	FILE	BY



GENERAL TOLERANCE
 .X = +/- 0.2
 .XX = +/- 0.15



APPROVAL: NPR

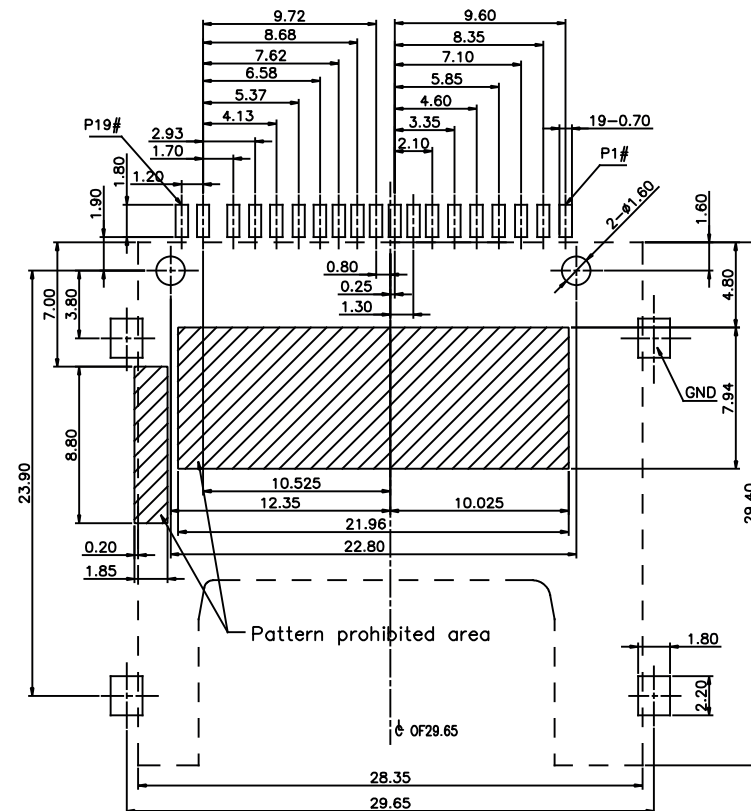
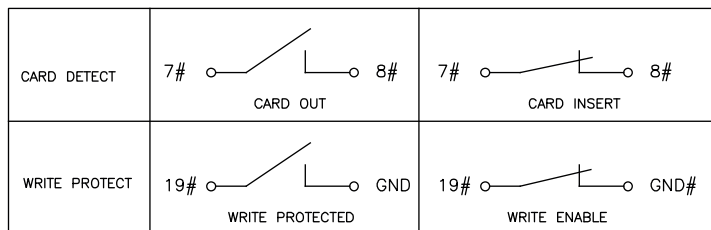
UNIT: MM
 SCALE:
 SHEET: 1/4
 DRAW: AK

DESCRIPTION: SD 4.0 PUSH & PUSH TYPE SMT - WITH CARD DETECTION
 - 3.00 MM HEIGHT
 WERI PART NO: 693 161 011 911

SIZE
A4

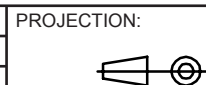
D

PIN	NAME	DESCRIPTION	PIN	NAME	DESCRIPTION
1	VSS3	GROUND	11	VDD1	SUPPLY VOLTAGE
2	DAT2	DATA LINE BIT2	12	D1-	DIFFERENTIAL DATE 1-
3	DO+	DIFFERENTIAL DATE 0+	13	CLK	CLOCK
4	CD/DAT3	CARD DETECT/DATA LINE BIT3	14	D1+	DIFFERENTIAL DATE 1+
5	DO-	DIFFERENTIAL DATE 0-	15	VSS2	SUPPLY VOLTAGE GROUND
6	CMD	COMMAND/RESPONSE	16	VSS5	GROUND
7	CD	CARD DETECT	17	DAT0	DATA LINE BIT0
8	VSS1	SUPPLY VOLTAGE GROUND	18	DAT1	DATA LINE BIT1
9	VSS4	GROUND	19	WP	WRITE PROTECT
10	VDD2	SUPPLY VOLTAGE(1.8V)			



PCB LAYOUT - COMPONENT VIEW

RoHS Compliant			
G			
F			
E			
D			
C			
B			
A			
REV	DATE	FILE	BY



APPROVAL: NPr

GENERAL TOLERANCE

.X = ± 0.2

.XX = ± 0.15

UNIT: MM

SCALE:

SHEET: 2/4

DRAW: AK

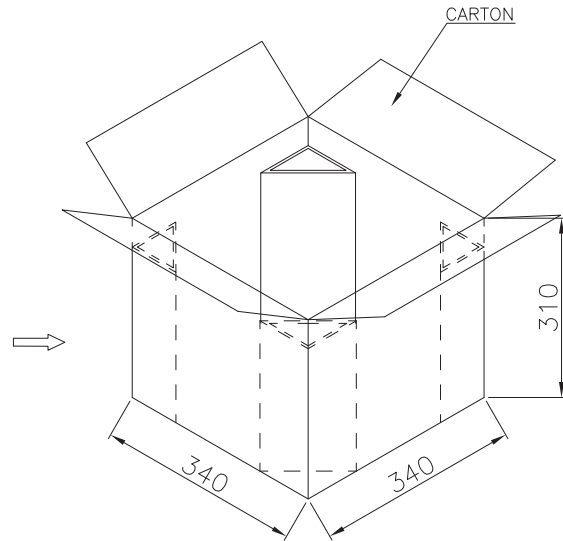
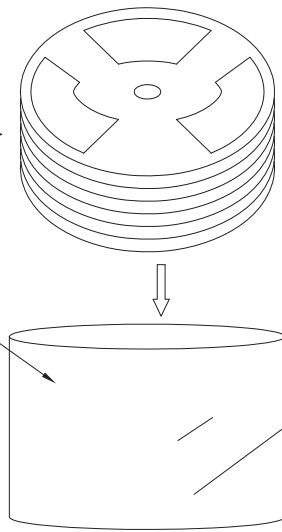
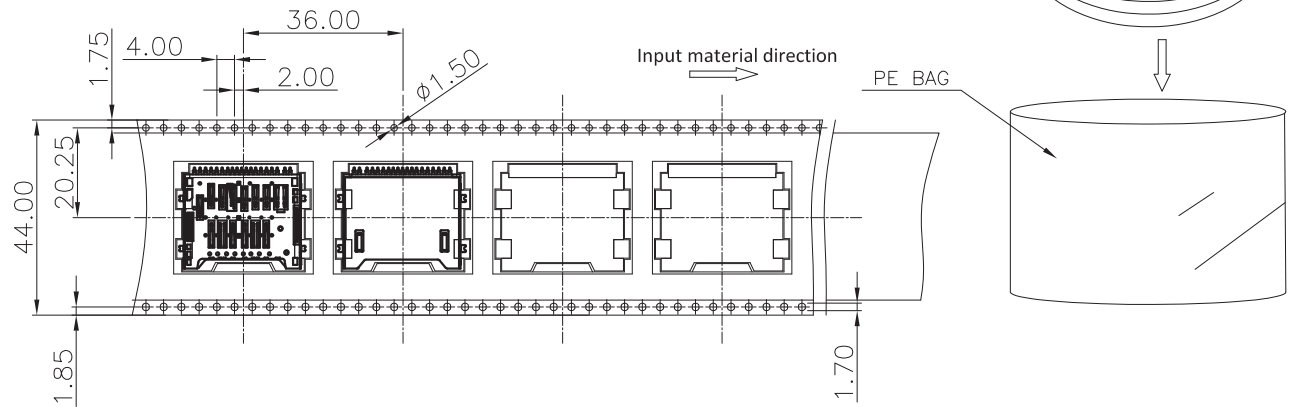
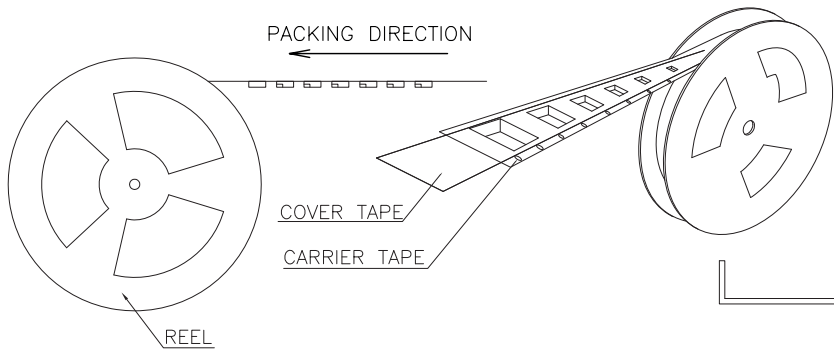


DESCRIPTION: SD 4.0 PUSH & PUSH TYPE SMT - WITH CARD DETECTION
- 3.00 MM HEIGHT

WERI PART NO: 693 161 011 911

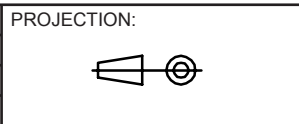
SIZE

A4



300 pcs/reel
6 reels/carton
1800 pcs/carton

RoHS Compliant				
G				
F				
E				
D				
C				
B				
A				
REV	DATE	FILE	BY	



GENERAL TOLERANCE
.X = ± 0.2
.XX = ± 0.15



APPROVAL: NPr

UNIT: MM
SCALE:
SHEET: 3/4
DRAW: AK

DESCRIPTION: SD 4.0 PUSH & PUSH TYPE SMT - WITH CARD DETECTION - 3.00 MM HEIGHT
WERI PART NO: 693 161 011 911

SIZE
A4

A
B
C
D

1

2

3

4

5

Cautions and Warnings:

This electronic component is designed and developed with the intention for use in general electronics equipments.

Before incorporating the components into any equipments in the field such as aerospace, aviation, nuclear control, submarine, transportation, (automotive control, train control, ship control), transportation signal, disaster prevention, medical, public information network etc. where higher safety and reliability are especially required or if there is possibility of direct damage or injury to human body, Würth Elektronik must be asked for a written approval.

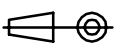

In addition, even electronic component in general electronic equipments, when used in electrical circuits that require high safety, reliability functions or performance, the sufficient reliability evaluation-check for the safety must be performed before by the user before usage.

A

B

C

RoHS Compliant

G				PROJECTION: 	GENERAL TOLERANCE .X = +/- 0.2 .XX = +/- 0.15		
F							
E							
D							
C				APPROVAL: JC	UNIT: MM	DESCRIPTION: DISCLAIMER	SIZE A4
B					SCALE:		
A	10-SEP-14	PDF	QL		SHEET: 4/4	WERI PART NO: DISCLAIMER	
REV	DATE	FILE	BY		DRAW: QL		

D