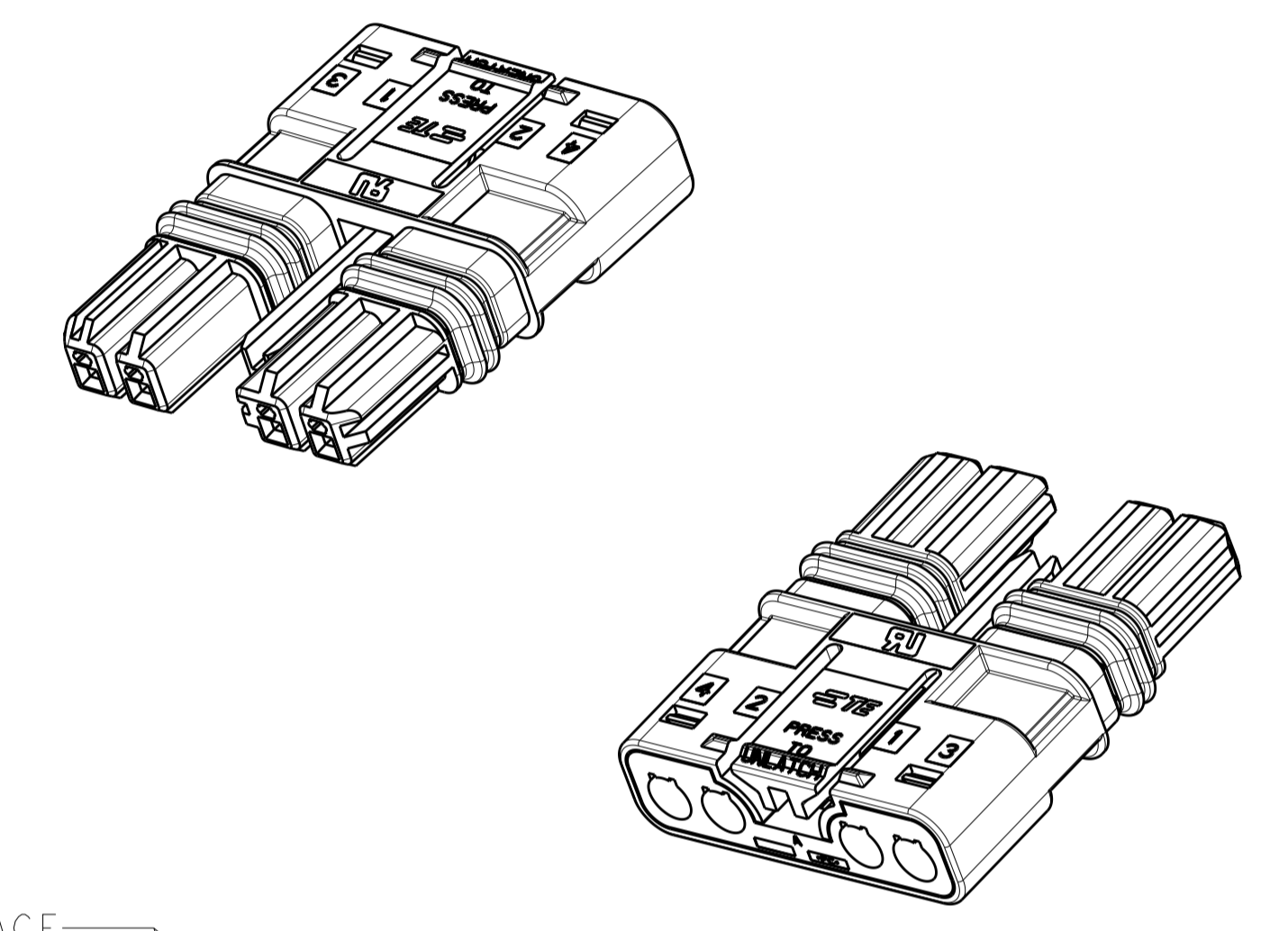
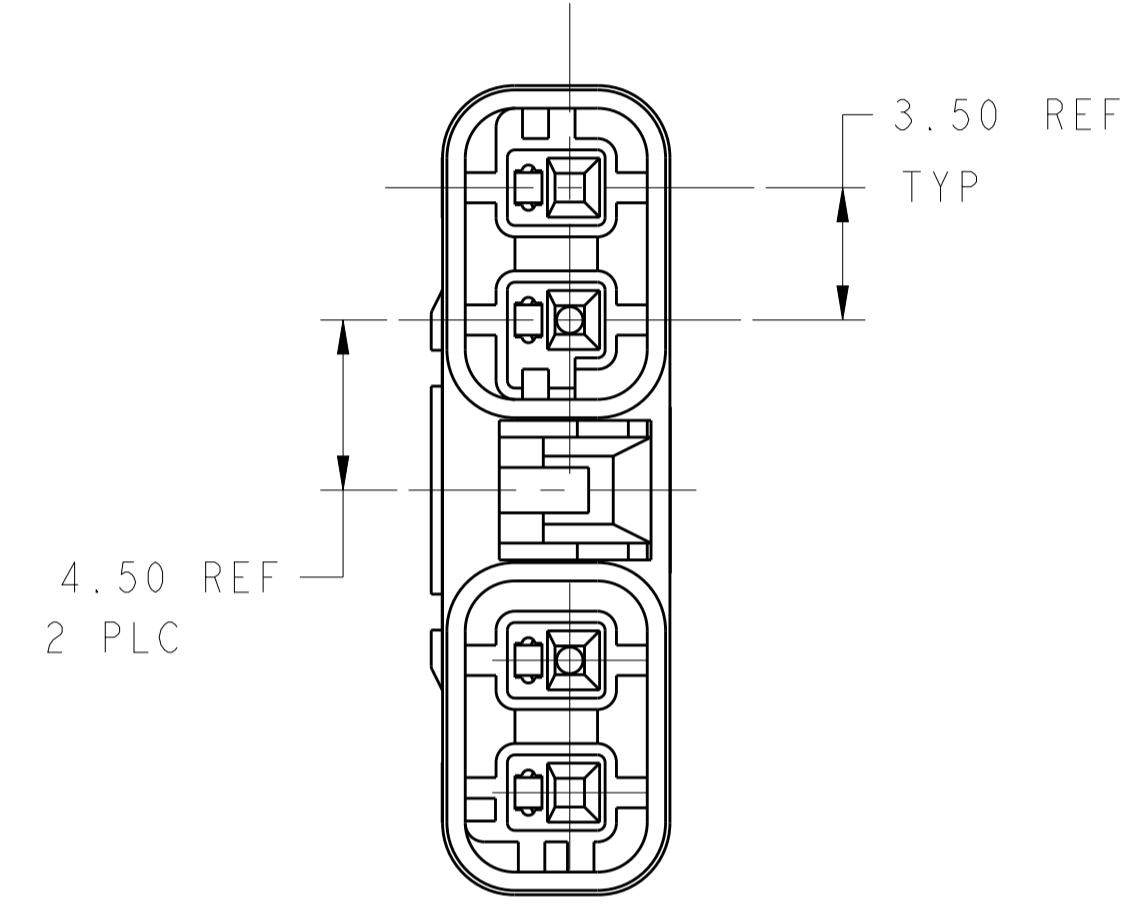
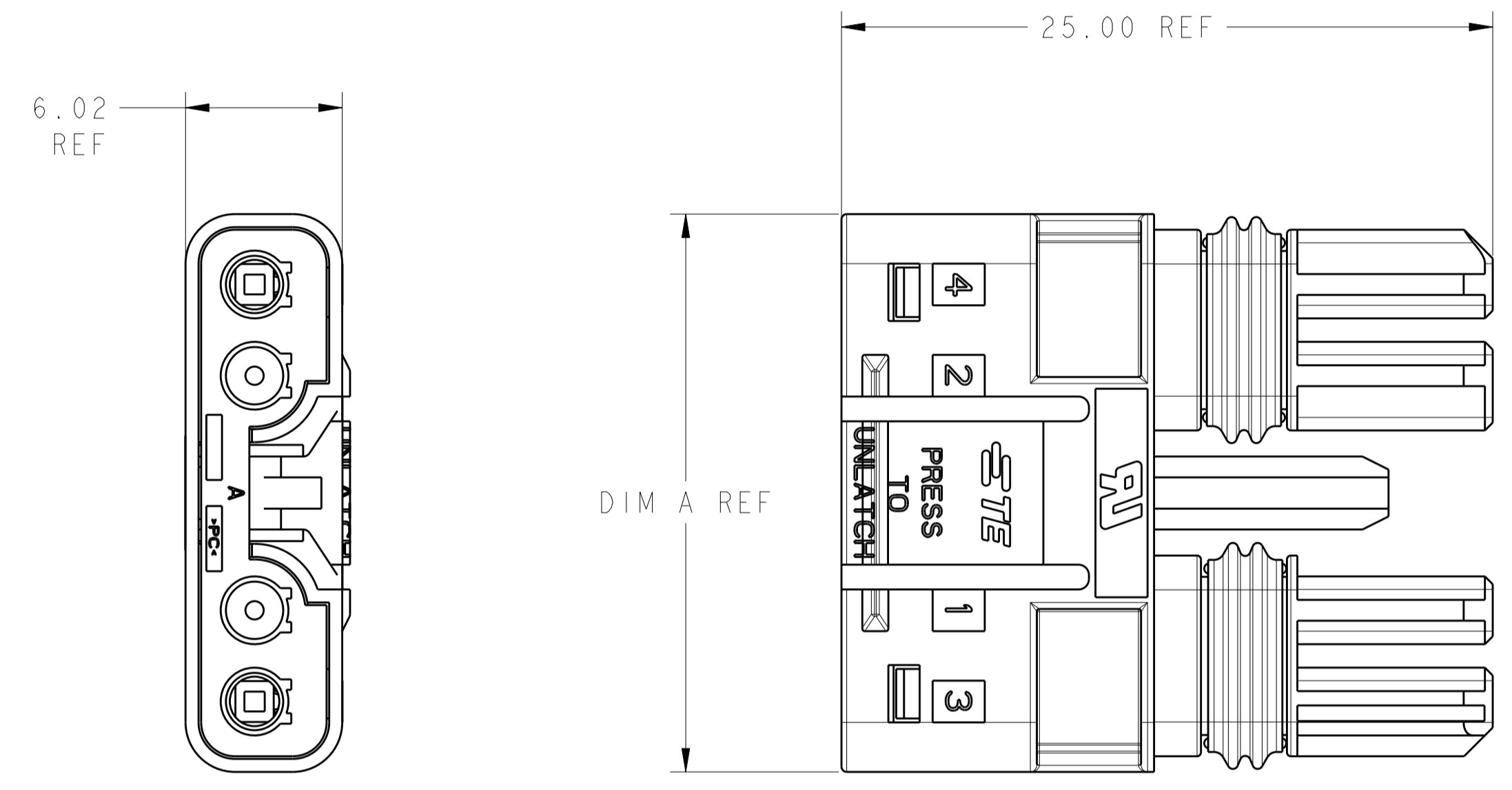
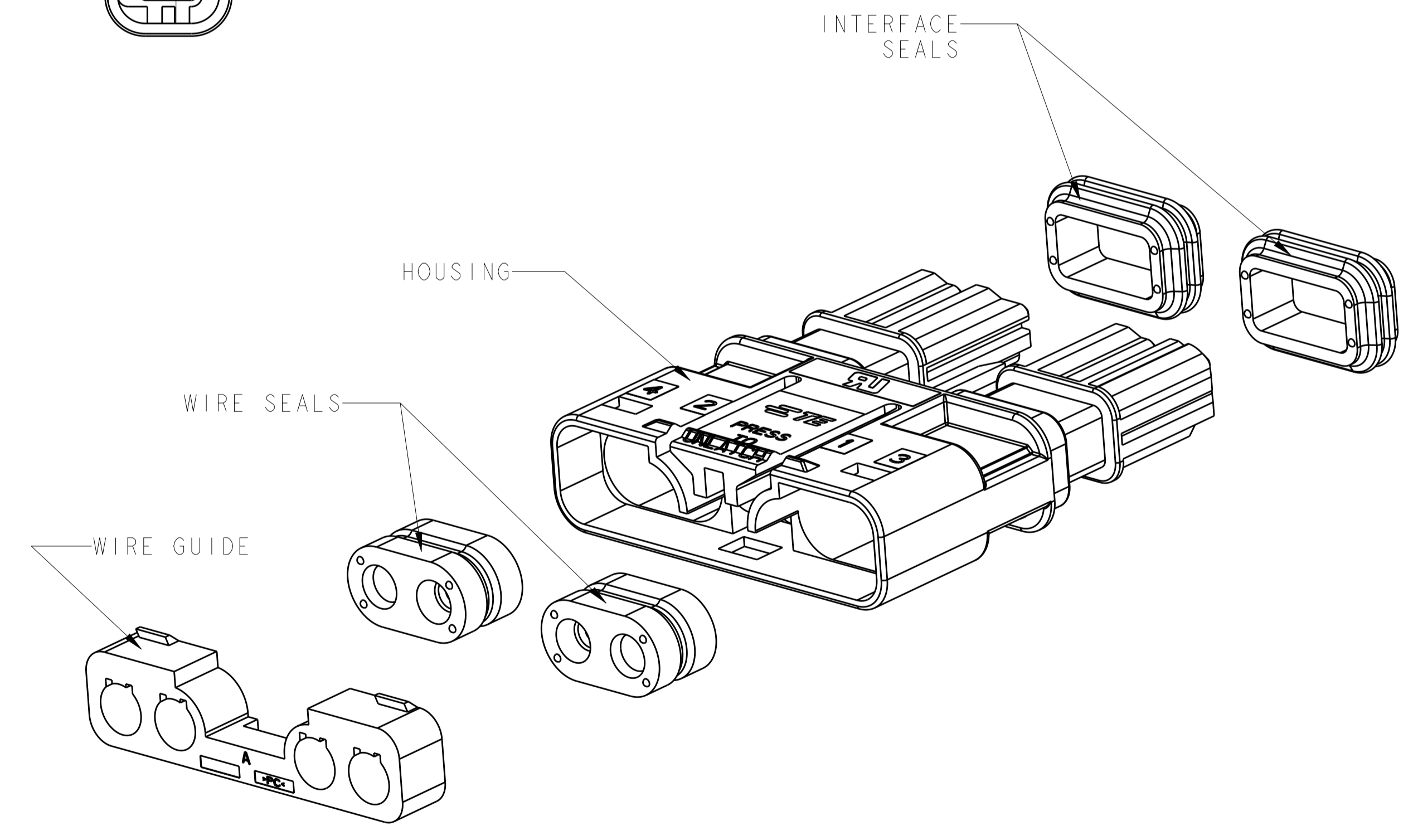
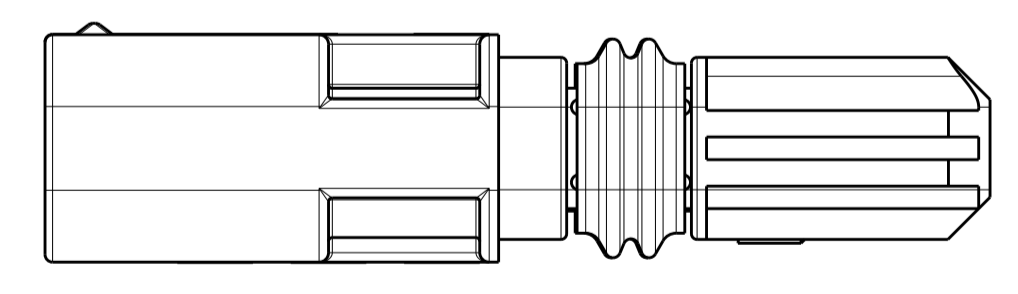


LOC		DIST		REVISIONS			
P	LTN	DESCRIPTION	DATE	DMN	APVD		
A1		REVISED PER ECO-11-004820	11MAR2011	RK	HMR		
B		REVISED PER ECO-11-012970	26DEC2011	HVG	DD		
B1		REVISED PER ECO-12-009130	15MAY2012	RS	DD		
B2		REVISED PER ECO-17-002947	09MAY2017	SK	DD		

- ⚠ MATERIAL: HOUSING: POLYCARBONATE, FI PER UL 746C, COLOR: BLACK  
 WIRE GUIDE: POLYCARBONATE, FI PER UL 746C, COLOR: BLACK  
 SEALS: SILICONE RUBBER, COLOR BLUE
2. THIS PART HAS NOT COMPLETED VALIDATION TESTING.  
 3. MUST COMPLY WITH DIRECTIVE 2002/95/EC (ROHS).



2106135-4  
 SCALE 3:1



2106135-4 SHOWN

DIM A REF	NO. OF POSN	PART NUMBER
21.40	4	2106135-4
17.90	3	2106135-3
14.40	2	2106135-2

THIS DRAWING IS A CONTROLLED DOCUMENT. DMN: HM VAN SCIOK 12FEB2009  
 CHK: A. BUCHER 12FEB2009  
 APVD: A. BUCHER 12FEB2009

DIMENSIONS: mm TOLERANCES UNLESS OTHERWISE SPECIFIED:  
 0 PLC ±  
 1 PLC ±0.2  
 2 PLC ±0.15  
 3 PLC ±  
 4 PLC ±  
 ANGLES ±°'°"

MATERIAL: FINISH: WEIGHT: CUSTOMER DRAWING

PRODUCT SPEC: 108-2391  
 APPLICATION SPEC: 114-13261

NAME: ASSEMBLY, PLUG, FREE HANGING SLIMSEAL SSL CONNECTOR  
 SIZE: CAGE CODE: DRAWING NO: 2106135  
 RESTRICTED TO: A100779

SCALE: 4:1 SHEET 1 OF 1 REV: B2