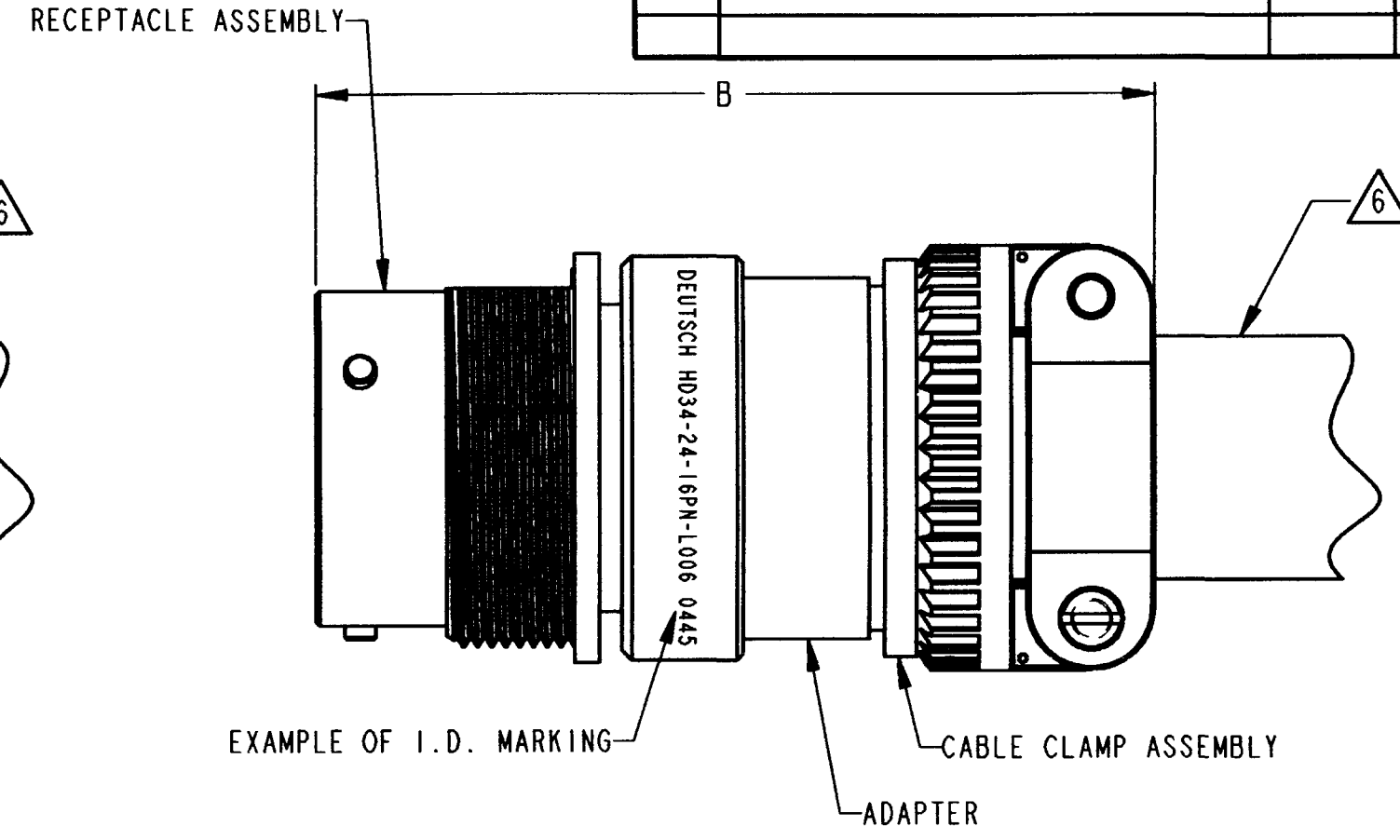
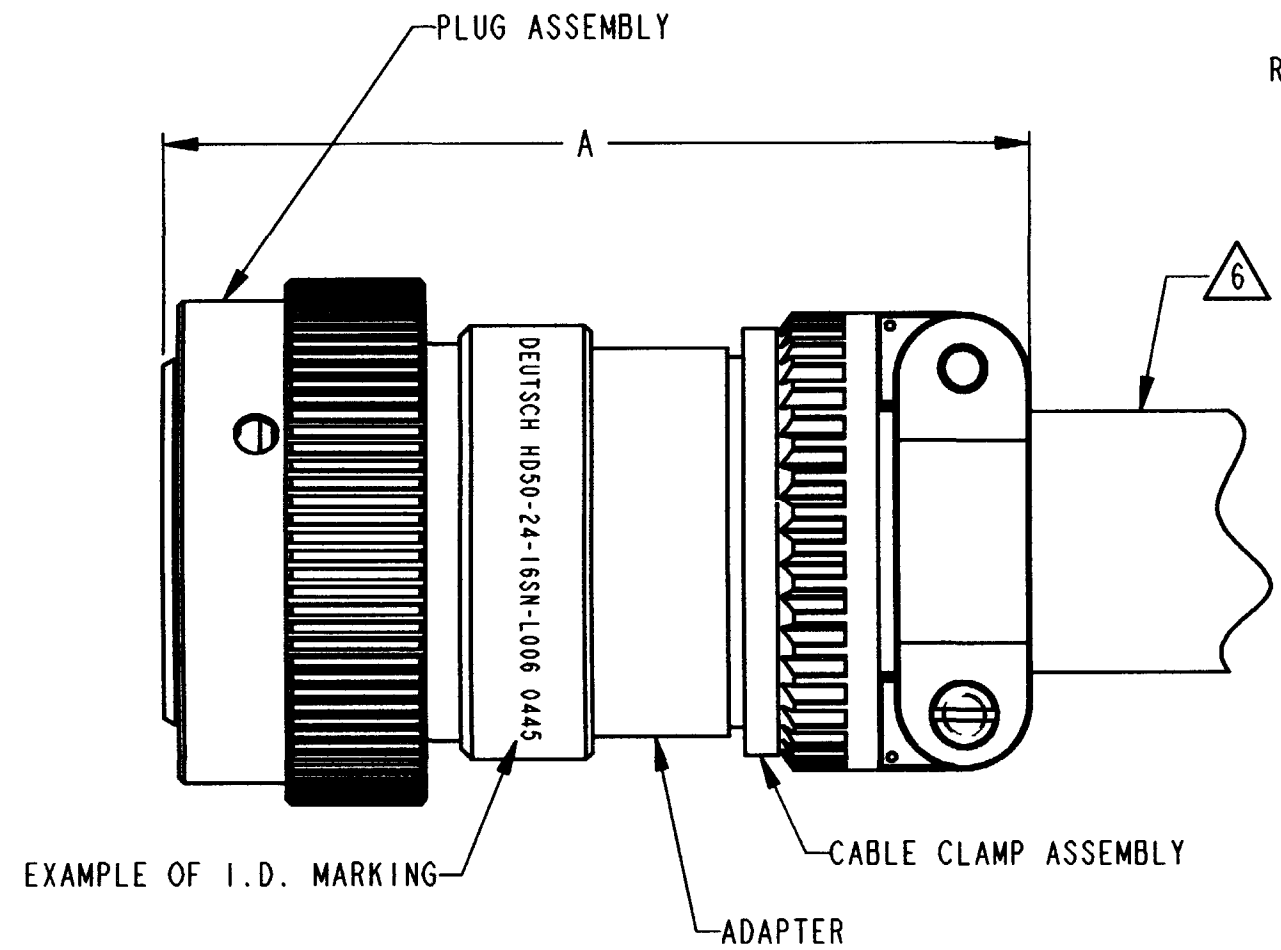


REV NC HD3\*\*\*P/S\*-L006

REVISIONS			
SYM	DESCRIPTION	DATE	APPROVED
NC	NEW RELEASE PER E.O. P18719	10-21-04	RDX



- 8. DIMENSIONS A AND B ON HD30, HDB, AND HD50 SERIES ARE THE SAME.
  - 7. THIS DWG. SERVES FOR HD30, HDB, AND FOR HD50 SERIES.
  - 6. ONE SIZE 12 AND ONE SIZE 16 BUSHING IS SUPPLIED WITH SIZE 24 CABLE CLAMP ASSEMBLY.
  - 5. CABLE CLAMP ACCESSORIES ARE SHIPPED UNASSEMBLED.
  - 4. FOR ARRANGEMENT OF CONTACT LOCATION SEE ENVELOPE DRAWING 0425-014-2400.
  - 3. FOR CONTACTS AND WIRES PERFORMANCE AND APPLICATION CHARACTERISTICS SEE ENVELOPE DRAWING 0425-015-0000.
  - 2. FOR PERFORMANCE AND APPLICATION CHARACTERISTICS SEE ENVELOPE DRAWING 0425-016-0000.
- NOTES: 1. ALL DIMENSIONS ARE IN INCHES (MILLIMETERS).

SIZE	A ± .125 (A ± 3.18)	B ± .125 (B ± 3.18)
18	3.090 (78.49)	3.217 (81.71)
24	3.191 (81.05)	3.318 (84.28)

SIGNATURE & DATE	
DR	R. MESSENGER 10/15/04
CHK	J. Kim 10/21/04
PE	R. Messenger 10/21/04
APPD	S. Beaud 10/21/04
SCALE	1.5:1 WT

CONNECTORS WITH  
ADAPTER AND CABLE  
CLAMP ASSEMBLY

ENVELOPE

CP	MATL. CODE
<b>The Deutsch Company</b> DEUTSCH I.P.D. 3850 INDUSTRIAL AVE. HEMET, CALIF. 92545	
<b>B</b> HD3***P/S*-L006	
DWG SIZE	CODE 11139 SHEET   OF