

General Purpose

Power Relay

SZR-MY Series

FEATURES

- Small package design
- DPDT has a fine silver contact with 5 A capability
- 4PDT has a gold-plated silver contact with 3 A capability
- High dielectric strength (1,800 Vac)
- High reliability and long life
- Ultra-high sensitivity with quick response time (20 ms max.)
- Options include LED indicator, diode protection, and LED indicator/diode protection
- UL listed, CE certified, CSA certified

TYPICAL APPLICATIONS

- Control panels
- Elevator panels
- Machine tools
- Test equipment



SZR-MY Series general-purpose power relays are designed for a wide range of applications including power as well as logic control for factory machines and control panels.

SZR-MY Series relays have a small package design for multiple application needs. Relays are available in two configurations: DPDT with a 5A load and 4PDT with a 3 A load.

One standard and three options are available: LED indicator, internal surge protection diode, and LED indicator/diode protection. Honeywell's global sales and distribution channels ensure a rapid response and excellent customer service.

⚠ WARNING

PERSONAL INJURY

DO NOT USE these products as safety or emergency stop devices or in any other application where failure of the product could result in personal injury.

Failure to comply with these instructions could result in death or serious injury.

⚠ WARNING

MISUSE OF DOCUMENTATION

- The information presented in this product sheet is for reference only. Do not use this document as a product installation guide.
- Complete installation, operation, and maintenance information is provided in the instructions supplied with each product.

Failure to comply with these instructions could result in death or serious injury.

General Purpose

Power Relays

SZR-MY Series

RELAY MODEL SELECTION GUIDE

| Type | Terminal | Contact | Catalog Listing |
|-----------------------------------|----------------|---------|-------------------|
| Standard | Plug-in/Solder | DPDT | SZR-MY2-1 |
| | | 4PDT | SZR-MY4-1 |
| | PCB | DPDT | SZR-MY2-1P |
| | | 4PDT | SZR-MY4-1P |
| LED Indicator | Plug-in/Solder | DPDT | SZR-MY2-N1 |
| | | 4PDT | SZR-MY4-N1 |
| DIODE surge suppression | | DPDT | SZR-MY2-D1 |
| | | 4PDT | SZR-MY4-D1 |
| LED indicator + surge suppression | | DPDT | SZR-MY2-X1 |
| | | 4PDT | SZR-MY4-X1 |

SOCKETS – REQUIRED ACCESSORIES

| | Din-rail Mounting | Solder Terminal | PCB Terminal |
|---|---|---|---|
| Relay Contact | | | |
| DPDT For use with SZR-MY2-1, -N1, - D1, -X1 |  SZX-SMF-08N |  SZX-SMB-08 |  SZX-SMB-08P |
| 4PDT For use with SZR-MY4-1, -N1, - D1, -X1 |  SZX-SMF-14N |  SZX-SMB-14 |  SZX-SMB-14P |

General Purpose

Power Relays

SZR-MY Series

CONTACT RATINGS

| Type | DPDT | | 4PDT | |
|--------------------------------|---------------------------|--|---------------------------|--|
| Load | Resistive Load (p.f. = 1) | Inductive load (p.f. = 0.4, L/R = 7 ms) | Resistive Load (p.f. = 1) | Inductive load (p.f. = 0.4, L/R = 7 ms) |
| Ratings | | | | |
| Rated load | 220 Vac, 5A 24 Vdc, 5A | 220 Vac, 2A 24 Vdc, 2A | 220 Vac, 3A 24 Vdc, 3A | 220 Vac, 0.8 A 24 Vdc, 1.5 A |
| Carry current | 5A | | 3A | |
| Max. operating voltage | 250 Vac, 125 Vdc | | 250 Vac, 125 Vdc | |
| Max. operating current | 5 A | | 3 A | |
| Max. switching capacity | 1,100 VA, 120 W | 440 VA, 48 W | 660 VA, 72 W | 176 VA, 16 W |
| Min. permissible load | 1 mA, 5 Vdc | | 1 mA, 1 Vdc | |

COIL RATINGS

| | Rated Voltage (V) | Rated Current (mA) | | Coil resistance (Ω) | Coil Inductance (H) | | Pick-up Voltage (V) | Dropout Voltage (V) | Maximum Voltage (V) | Power Consumption (W) | | | |
|---------|-------------------|--------------------|---------|---------------------|---------------------|-------------|---------------------|---------------------|---------------------|--------------------------------------|-------------|------|--------------------------------------|
| | | 50 Hz | 60 Hz | | Armature OFF | Armature ON | | | | | | | |
| AC | 6 | 214.1 | 183 | 12.2 | 0.04 | 0.08 | Max. 75 % | Min. 30% | 110% | Approx. 1.0 W to 1.2 W (60 Hz) | | | |
| | 12 | 106.5 | 91 | 46 | 0.17 | 0.33 | | | | | | | |
| | 24 | 53.8 | 46 | 180 | 0.69 | 1.3 | | | | | | | |
| | 50 | 25.7 | 22 | 788 | 3.22 | 5.66 | | | | Max. 75% | Min. 10% | 110% | Approx. 0.9 W to 1.1 W (60 Hz) |
| | 100/110 | 11.7/12.9 | 10/11 | 3,750 | 14.54 | 24.6 | | | | | | | |
| | 110/120 | 9.9/10.8 | 8.4/9.2 | 4,430 | 19.2 | 32.1 | | | | | | | |
| | 200/220 | 6.2/6.8 | 5.3/5.8 | 12,950 | 54.75 | 94.07 | | | | | | | |
| 220/240 | 4.8/5.3 | 4.2/4.6 | 18,790 | 83.5 | 136.4 | Max. 75% | Min. 10% | 110% | Approx. 0.9 W | | | | |
| 6 | 150 | | 40 | 0.17 | 0.33 | | | | | | | | |
| 12 | 75 | | 160 | 0.73 | 1.37 | | | | | | | | |
| 24 | 36.9 | | 650 | 3.2 | 5.72 | | | | | | | | |
| 48 | 18.5 | | 2,600 | 10.6 | 21.0 | | | | | | | | |
| 100/110 | 9.1/10 | | 11,000 | 45.6 | 86.2 | | | | | | | | |

Note 1: The rated current and coil resistance are measured at a coil temperature of 23 °C [73.4 °F] with tolerances of +15%, -20% for AC rated current and ± 15% for DC coil resistance.

Note 2: The rated current of N1 and X1 types is 4 mA higher than the value in the table above.

General Purpose

Power Relays

SZR-MY Series

SPECIFICATIONS

| | | |
|------------------------------|------------------------|---|
| Contact material | | Silver |
| Contact resistance | | Max. 50 MOhm |
| Operate time | | Max. 20 ms |
| Release time | | Max. 20 ms |
| Operating frequency | Mechanical | 18,000 operations per hour |
| | Electrical | 1,800 operations per hour |
| Insulation resistance | | Min. 100 Mw at 500 Vdc |
| Dielectric withstand voltage | | 1,800 Vac 50 Hz/60 Hz for one minute between non-continuous current carrying terminals and between coil thermals and contact terminals |
| Vibration resistance | Mechanical durability | 10 Hz to 55 Hz at double amplitude of 1.0 mm |
| | Malfunction durability | 10 Hz to 55 Hz at double amplitude of 1.0 mm |
| Shock resistance | Mechanical durability | 1,000 m/s ² (approx. 100 g) |
| | Malfunction durability | 200 m/s ² (approx. 20 g) |
| Service life | Mechanical | AC: Min. 50 million operations (at operating frequency of 18,000 operations/hour) DC: Min. 100 million operations (at operating frequency of 18,000 operations/hour) |
| | Electrical | DPDT: Min. 500,000 operations (at operating frequency of 1,800 operations/hour) 4PDT: Min. 200,000 operations (at operating frequency of 1,800 operations/hour) |
| Weight | | Approximately 35 g |

Note 1: The data shown above are of initial value

CHARACTERISTIC DATA



General Purpose

Power Relays

SZR-MY Series

HOLDING CLIPS

- Holding clips are included with the sockets
- Holding clips for the SMF-08N and SMF-14N cannot be removed once inserted
- Holding clips for all SMB sockets are wire for easy removal
- Holding clips are to be inserted into the slots provided on the socket

DIMENSIONS (For reference only – mm/in)

Figure 1. Dimensions

For SZX-SMF-08N and SZX-SMF-14N sockets



Figure 2. Dimensions

For all SZX-SMB sockets



General Purpose

Power Relays

SZR-MY Series

CATALOG LISTING MATRIX



General Purpose

Power Relays

SZR-MY Series

FIGURE 3. DIMENSION, CIRCUIT DIAGRAM, TERMINAL ARRANGEMENT, AND MOUNTING HOLE FOR SZR-MY2-1, SZR-MY2-N1, SZR-MY2-D1, and SZR-MY2-X1



FIGURE 4. DIMENSION, CIRCUIT DIAGRAM, TERMINAL ARRANGEMENT, AND MOUNTING HOLE FOR SZR-MY2-1P and SZR-MY4-1P



The circuit diagram is the same with standard type of SZR-MY2-1 or the SZR-MY4-1

General Purpose

Power Relays

SZR-MY Series

FIGURE 5. DIMENSION, CIRCUIT DIAGRAM, TERMINAL ARRANGEMENT, AND MOUNTING HOLE FOR SZR-MY4-1, SZR-MY4-N1, SZR-MY4-D1, and SZR-MY4-X1

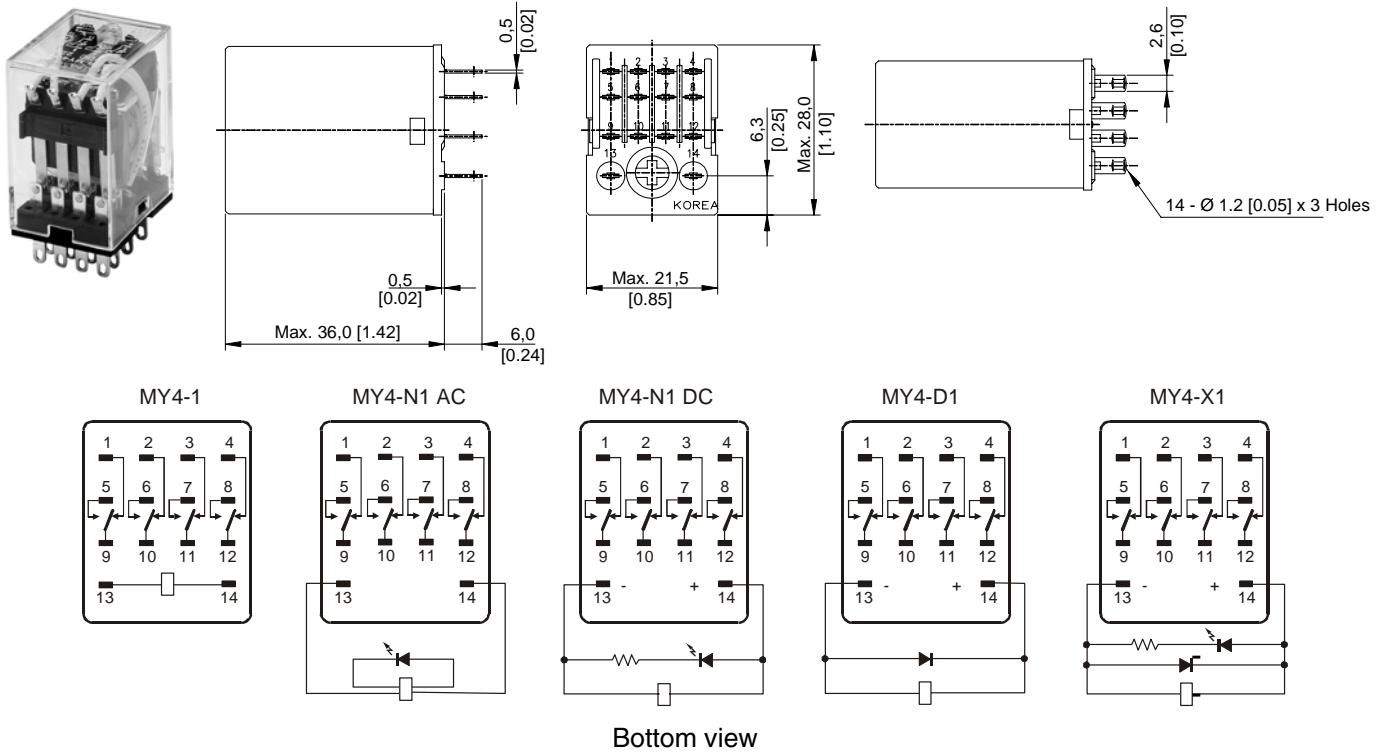
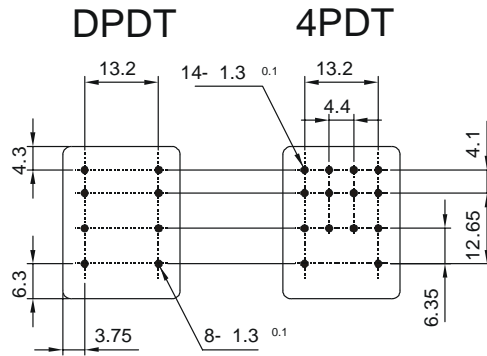


FIGURE 6. CIRCUIT DRAWING FOR SZR-MY2- and SZR-MY4-



General Purpose Power Relays

SZR-MY Series

SOCKETS

FIGURE 7. SZX-SMF-08N



FIGURE 8. SZX-SMF-14N



FIGURE 9. SZX-SMB-08

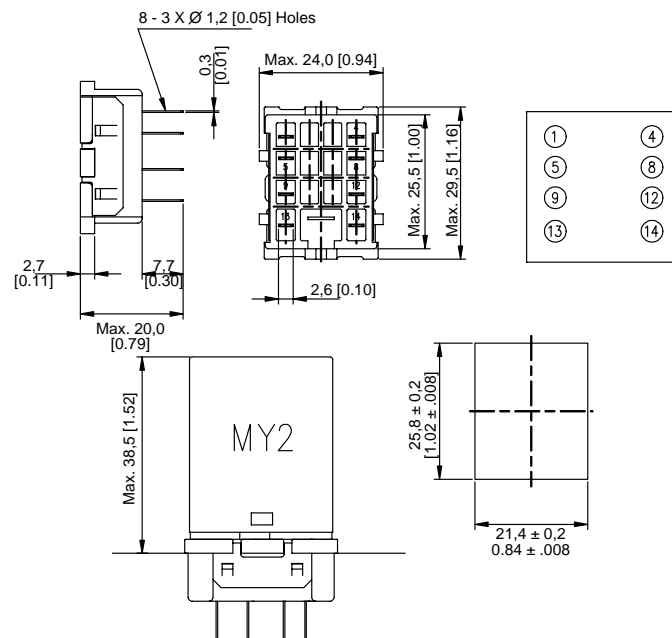
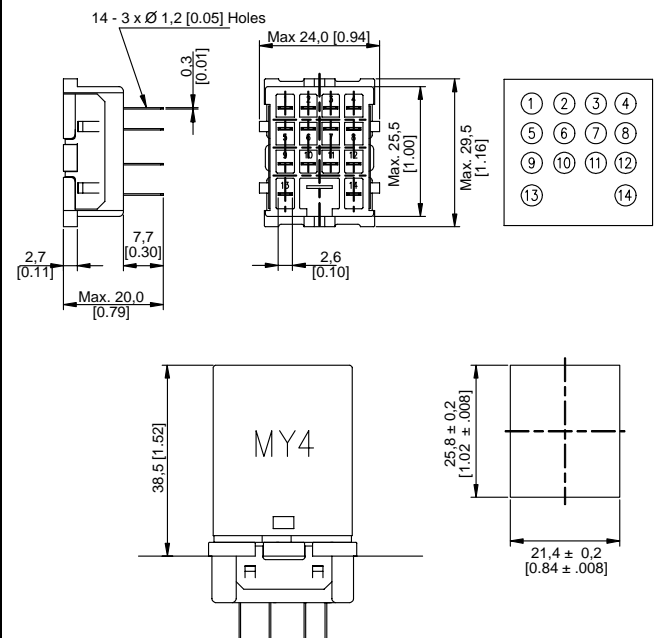


FIGURE 10. SZX-SMB-14



General Purpose Power Relays

SZR-MY Series

FIGURE 11. SZX-SMB-08P



FIGURE 12. SZX-SMB-14P



WARRANTY/REMEDY

Honeywell warrants goods of its manufacture as being free of defective materials and faulty workmanship. Contact your local sales office for warranty information. If warranted goods are returned to Honeywell during the period of coverage, Honeywell will repair or replace without charge those items it finds defective. **The foregoing is Buyer's sole remedy and is in lieu of all other warranties, expressed or implied, including those of merchantability and fitness for a particular purpose.**

Specifications may change without notice. The information we supply is believed to be accurate and reliable as of this printing. However, we assume no responsibility for its use.

While we provide application assistance personally, through our literature and the Honeywell web site, it is up to the customer to determine the suitability of the product in the application.

For application assistance, current specifications, or name of the nearest Authorized Distributor, contact a nearby sales office. Or call:

1-800-537-6945 USA/Canada

1-815-235-6847 International

FAX

1-815-235-6545 USA

INTERNET

www.honeywell.com/sensing

info.sc@honeywell.com

Honeywell

Sensing and Control
www.honeywell.com/sensing

Honeywell
11 West Spring Street
Freeport, Illinois 61032