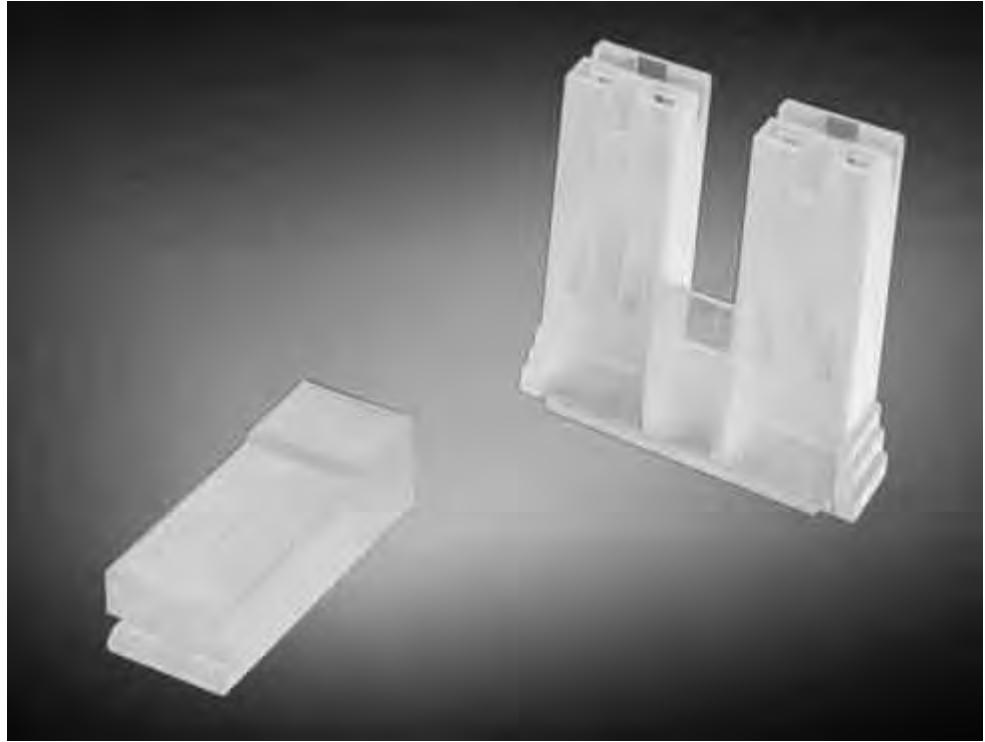


## FASTON Housings

### Product Facts

- Straight, right-angle, multiple position and special application housings available
- Various materials and temperature ratings available
- Accept FASTON receptacles
- Special application housings include microswitch, gas valve, wax motor and water valve housings
- Available in .312, .250, .205, .187 and .110 Series
- Translucent plastic insulating sleeves in both straight and flag configurations

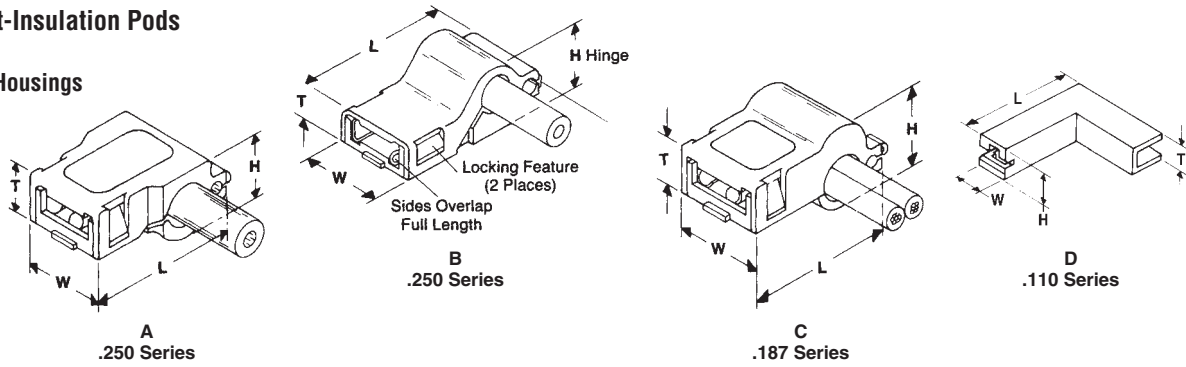


FASTON housings are designed to be used with the FASTON terminal line. They come in sizes ranging from .312, .250, .205, .187 and .110 and are available in multiple positions and configurations. Included in this line are special connectors, including water valve connectors,

microswitch connectors, gas valve connectors, and various other special application connectors. Many of these housings are available in both V-2 and V-0 rated materials. Translucent plastic insulating sleeves are available for use with FASTON receptacles and flags.

**FASTON Housings** (Continued)

**AMPIP Post-Insulation Pods**  
**Flag Style**  
**Receptacle Housings**



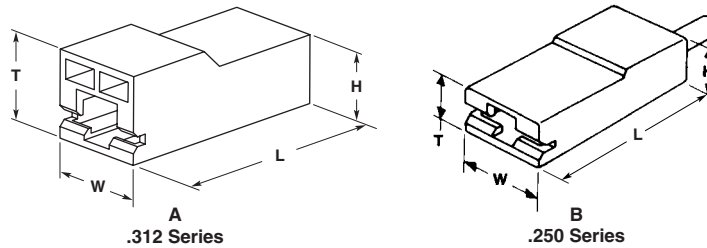
| Style | Material | UL 94 <sup>1</sup> | Color        | Insulation Dia. Max.             | Dimensions    |              |               |              |            | Part Number      | Type   | Accepts Terminal | UL | CS |
|-------|----------|--------------------|--------------|----------------------------------|---------------|--------------|---------------|--------------|------------|------------------|--|------------------|----|----|
|       |          |                    |              |                                  | L             | T            | W             | H            | H          |                  |  |                  |    |    |
| A     | Nylon    | V2                 | Natural      | .210<br>5.33                     | .787<br>19.99 | .266<br>6.76 | .448<br>11.38 | .360<br>9.14 | 1-480298-0 | Continuous Strip | "250" Series Flag FASTON Tab-Lok Receptacles 41531, 41532, 42511, 61156, 63445 | X                | X  |    |
|       |          |                    | V0 Natural   |                                  |               |              |               |              |            |                  |  |                  |    |    |
|       |          |                    | V2 Nat. 150° |                                  |               |              |               |              |            |                  |  |                  |    |    |
|       |          |                    | V2 Natural   |                                  |               |              |               |              |            |                  |  |                  |    |    |
| B     | Nylon    | V2                 | Natural      | .140<br>3.56<br>(2) .110<br>2.79 | .732<br>18.59 | .180<br>4.57 | .460<br>11.68 | .315<br>8.00 | 1-480296-0 | Continuous Strip | "250" Series Flag FASTON Commercial Receptacle 60290, 60736, 62418             | X                | X  |    |
|       |          |                    | V2 Natural   |                                  |               |              |               |              |            |                  |  |                  |    |    |
| C     | Nylon    | V2                 | Natural      | .175<br>4.45                     | .699<br>17.75 | .230<br>5.84 | .430<br>10.92 | .320<br>8.13 | 1-480487-2 | Loose Piece      | "187" Series Tab-Lok Flag FASTON <sup>2</sup>                                  | X                | X  |    |
|       |          |                    | V Natural    |                                  |               |              |               |              |            |                  |  |                  |    |    |
| D     | Nylon    | V2                 | Natural      | —                                | .550<br>13.97 | .205<br>5.21 | .225<br>5.72  | .200<br>5.08 | 360040-1   | Loose Piece      | "110" Series FASTON 61070, 61481, 62336  | X                | X  |    |

<sup>1</sup> Flammability rating of plastic material.

<sup>2</sup> Does not accept commercial series.

<sup>3</sup> Material according to IEC 60335-1.

**Straight Style**  
**Receptacle Housing**



| Style | Type        | Material      | UL 94 <sup>1</sup> | Color        | Insulation Dia. Max. | Dimensions     |               |               |              |                         | Part Number                     | Accepts Terminal | UL | CS |
|-------|-------------|---------------|--------------------|--------------|----------------------|----------------|---------------|---------------|--------------|-------------------------|---------------------------------|------------------|----|----|
|       |             |               |                    |              |                      | L              | T             | W             | H            | H                       |                                 |                  |    |    |
| A     | Loose Piece | Nylon         | V0                 | Black        | .200<br>5.08         | 1.035<br>26.29 | .400<br>10.16 | .440<br>11.18 | .310<br>7.87 | 1969186-1               | "312" Series FASTON Receptacles | X                | X  |    |
|       |             |               | V2                 | Natural      |                      |                |               |               |              |                         |                                 |                  |    |    |
| B     | Loose Piece | Nylon         | V2                 | Natural      | .260<br>6.60         | .961<br>24.40  | .181<br>4.60  | .358<br>9.10  | .314<br>8.00 | 171706-1                |                                 | X                | X  |    |
|       |             |               | V2                 | Natural      | .224<br>5.69         | 1.03<br>26.20  | .225<br>6.70  | .490<br>12.40 | .285<br>7.20 | 521053-1                |                                 | —                | —  |    |
|       |             |               | V2                 | Natural      |                      |                |               |               |              | 1-480416-0              |                                 |                  |    |    |
|       |             |               | V0                 | Natural      |                      |                |               |               |              | 1-480416-7              |                                 |                  |    |    |
|       |             |               | V2                 | Natural 150° | .200<br>5.08         | .920<br>23.37  | .280<br>6.60  | .390<br>9.91  | .298<br>7.57 | 1-480416-8              |                                 | X                | X  |    |
|       |             |               | V2                 | Black        |                      |                |               |               |              | 1-480416-1              |                                 |                  |    |    |
|       |             |               | V2                 | Natural      |                      |                |               |               |              | 2-480416-2 <sup>3</sup> |                                 |                  |    |    |
|       |             |               | V2                 | Natural      | .187<br>4.75         | .995<br>25.30  | .193<br>4.90  | .354<br>9.00  | .252<br>6.40 | 280232                  |                                 |                  |    |    |
|       |             |               | V0                 | Natural      | .187<br>4.75         | .995<br>25.30  | .193<br>4.90  | .354<br>9.00  | .252<br>6.40 | 280232-6                |                                 |                  |    |    |
|       |             |               | V2                 | Natural      | .169<br>4.30         | .960<br>24.40  | .181<br>4.60  | .366<br>9.30  | .209<br>5.30 | 336369-1                |                                 | X                | —  |    |
|       |             | Polypropylene | HB                 | Clear        | .161<br>4.10         | .960<br>24.40  | .181<br>4.60  | .362<br>9.20  | .209<br>5.30 | 735075                  | X                               | —                |    |    |

<sup>1</sup> Flammability rating of plastic material.

<sup>2</sup> Material according to IEC 60335-1.

<sup>3</sup> Contact product engineering for terminal recommendations when using these insulators with 10 AWG.

**Note:** All part numbers are RoHS compliant.

**FASTON Housings** (Continued)

**AMPIP Post-Insulation Pods** (Continued)

**Straight Style Receptacle Housing** (Continued)



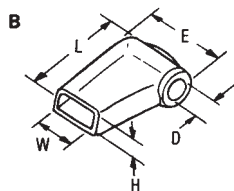
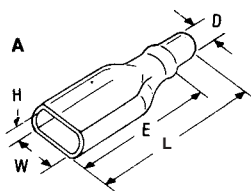
FASTON Housings

| Style | Type        | Material | UL 94 <sup>1</sup> | Color   | Insulation Dia. Max. | Dimensions    |               |               |                         | Part Number | Accepts Terminal  | UL | CS® |
|-------|-------------|----------|--------------------|---------|----------------------|---------------|---------------|---------------|-------------------------|-------------|---|----|-----|
|       |             |          |                    |         |                      | L             | T             | W             | H                       |             |   |    |     |
| C     | Loose Piece | Nylon    | V2                 | Natural | .125<br>3.18         | .955<br>24.26 | —             | .570<br>14.48 | .190<br>4.83            | 1-480458-0  | "250" Series FASTON Economy Receptacles 42660, 42743, 42845, 61202  | X  | X   |
|       |             |          |                    |         | .180<br>4.57         | .775<br>19.69 | .225<br>5.72  | .338<br>8.59  | .245<br>6.22            |             |   |    |     |
| D     | Loose Piece | Nylon    | V2                 | Natural | .170<br>4.32         | .775<br>19.69 | .215<br>5.46  | .308<br>7.82  | .235<br>5.97            | 1-480435-0  | "187" Series FASTON Receptacles 42373, 42374, 42452, 42453, 42617, 60487, 60573, 62137, 62138, 62187, 63475, 63477  | X  | X   |
|       |             |          |                    |         |                      |               |               |               | 1-480435-5 <sup>2</sup> |             |   |    |     |
| E     | Loose Piece | Nylon    | V2                 | Natural | .150<br>3.81         | .790<br>20.07 | —             | .235<br>5.97  | .240<br>6.10            | 1-480417-0  | "110" Series FASTON Receptacles 42067, 42068, 42236, 42398, 42399, 42415, 60118, 60197, 60577, 60601, 60729, 61158, 61400, 61457, 61818, 62050, 62094, 62191, 62345 | X  | X   |
|       |             |          |                    |         | Black                | .150<br>3.81  | .790<br>20.07 | —             | .235<br>5.97            |             |   |    |     |

<sup>1</sup> Flammability rating of plastic material.  
<sup>2</sup> Material according to IEC 60335-1.

**Insulation Sleeves For FASTON Receptacle**

Material — Soft Vinyl Chloride Cloudy



| Style | FASTON Series | Dimensions    |               |               |               |              | Part Number  |              |
|-------|---------------|---------------|---------------|---------------|---------------|--------------|--------------|--------------|
|       |               | D             | E             | L             | W             | H            |              |              |
| A     | 250           | .079<br>2.00  | .748<br>19.00 | .945<br>24.00 | .315<br>8.00  | .138<br>3.50 | 170823-3     |              |
|       |               | .098<br>2.50  |               |               |               |              |              |              |
|       |               | .126<br>3.20  | .866<br>22.00 | 1.06<br>27.00 | .315<br>8.00  | .138<br>3.50 | 1-170823-8   |              |
|       |               | .787<br>20.00 | .984<br>25.00 |               |               | 1-170823-5   |              |              |
|       |               | .138<br>3.50  | 1.18<br>30.00 | 1.38<br>35.00 | .315<br>8.00  | .138<br>3.50 | 1-170823-9   |              |
|       |               | 1.38<br>35.00 | 1.57<br>40.00 |               |               | 2-170823-0   |              |              |
|       | 205           | .189<br>4.80  | .787<br>20.00 | .984<br>25.00 | .315<br>8.00  | .138<br>3.50 | 170823-6     |              |
|       |               | .098<br>2.50  | .709<br>18.00 | .906<br>23.00 | .256<br>6.50  | .118<br>3.00 | 4-170823-1   |              |
|       |               | .087<br>2.20  | .709<br>18.00 | .906<br>23.00 | .228<br>5.80  | .087<br>2.20 | 1-170823-3   |              |
|       |               |               |               |               |               |              |              | .098<br>2.50 |
|       |               | 110           | .071<br>1.80  | .300<br>16.00 | .827<br>21.00 | .157<br>4.00 | .083<br>2.10 | 170823-9     |
|       |               |               | .098<br>2.50  |               |               |              |              | 170823-1     |
| B     | 250           | .126<br>3.20  | .571<br>14.50 | .728<br>18.50 | .335<br>8.50  | .177<br>4.50 | 170891-1     |              |
|       |               | .189<br>4.80  |               |               |               |              | 170891-2     |              |
| 187   | .126<br>3.20  | .488<br>12.40 | .587<br>14.90 | .256<br>6.50  | .118<br>3.00  | 3-170823-8   |              |              |

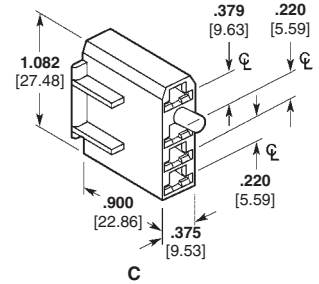
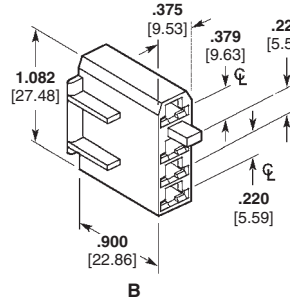
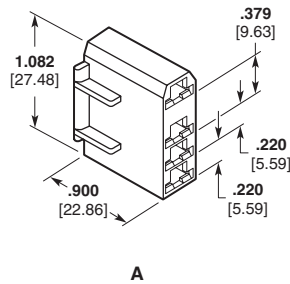
**Note:** All part numbers are RoHS compliant.

**FASTON Housings** (Continued)

**Multi-Position Housings**

**.250 [6.35] Series**

4 Circuit  
.250 Series  
FASTON Housing

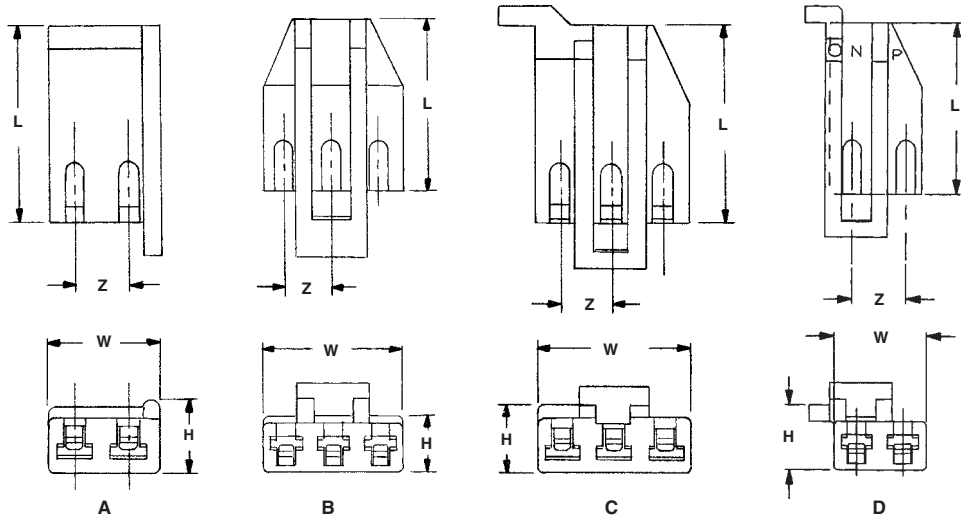


| Style | Material | UL 94 <sup>1</sup> | Color   | Part Number | Accepts Terminals            |   |   |
|-------|----------|--------------------|---------|-------------|------------------------------|---|---|
| A     | Nylon    | V2                 | Black   | 520987-1    | .250 Low Insertion Terminals | X | X |
|       |          |                    | Natural | 520987-2    |                              | — | — |
|       |          |                    | Black   | 520987-4    |                              | X | X |
|       |          |                    | Natural | 520987-5    |                              | — | — |
| B     | Nylon    | V2                 | Black   | 521065-1    | .250 Low Insertion Terminals | X | X |
| C     | Nylon    | V2                 | Black   | 521066-1    | .250 Low Insertion Terminals | X | X |

<sup>1</sup> Flammability rating of plastic material.  
<sup>2</sup> Material according to IEC 60335-1.

**Multi-Position Housings**

**.110 [2.79] Series  
Ignition Connectors**



| Style | Material  | UL 94 <sup>1</sup> | Color   | Dimensions   |               |              |               | Part Number | Accepts Terminal <sup>2</sup> |   |   |
|-------|-----------|--------------------|---------|--------------|---------------|--------------|---------------|-------------|-------------------------------|---|---|
|       |           |                    |         | Z            | W             | H            | L             |             |                               |   |   |
| A     | Nylon     | V2                 | Black   | .224<br>5.69 | .470<br>11.94 | .305<br>7.75 | .825<br>20.96 | 520206-2    | 62942,<br>63021, 63093        | X | X |
| D     | Nylon     | V2                 | Black   | .224<br>5.69 | .444<br>11.28 | .315<br>8.00 | .827<br>21.01 | 520217-2    | 62942,<br>63021, 63093        | X | X |
|       |           |                    | Yellow  |              |               |              |               | 520217-3    |                               |   |   |
|       | Polyester | HB                 | Natural | 520217-4     |               |              |               |             |                               |   |   |
| B     | Nylon     | V2                 | Natural | .224<br>5.69 | .668<br>16.97 | .235<br>5.97 | .825<br>20.96 | 520219-1    | 62942, 63021,<br>63093        | X | X |
|       |           |                    | Black   |              |               |              |               | 520219-2    |                               |   |   |
|       | Polyester | HB                 | Black   | .224<br>5.69 | .668<br>16.97 | .235<br>5.97 | .825<br>20.96 | 520219-4    |                               |   |   |
| C     | Nylon     | V2                 | Black   | .224<br>5.69 | .444<br>11.28 | .315<br>8.00 | .866<br>22.00 | 520220-2    | 63093                         | X | X |

<sup>1</sup> Flammability rating of plastic material.  
<sup>2</sup> For dimensions see TE customer drawing.

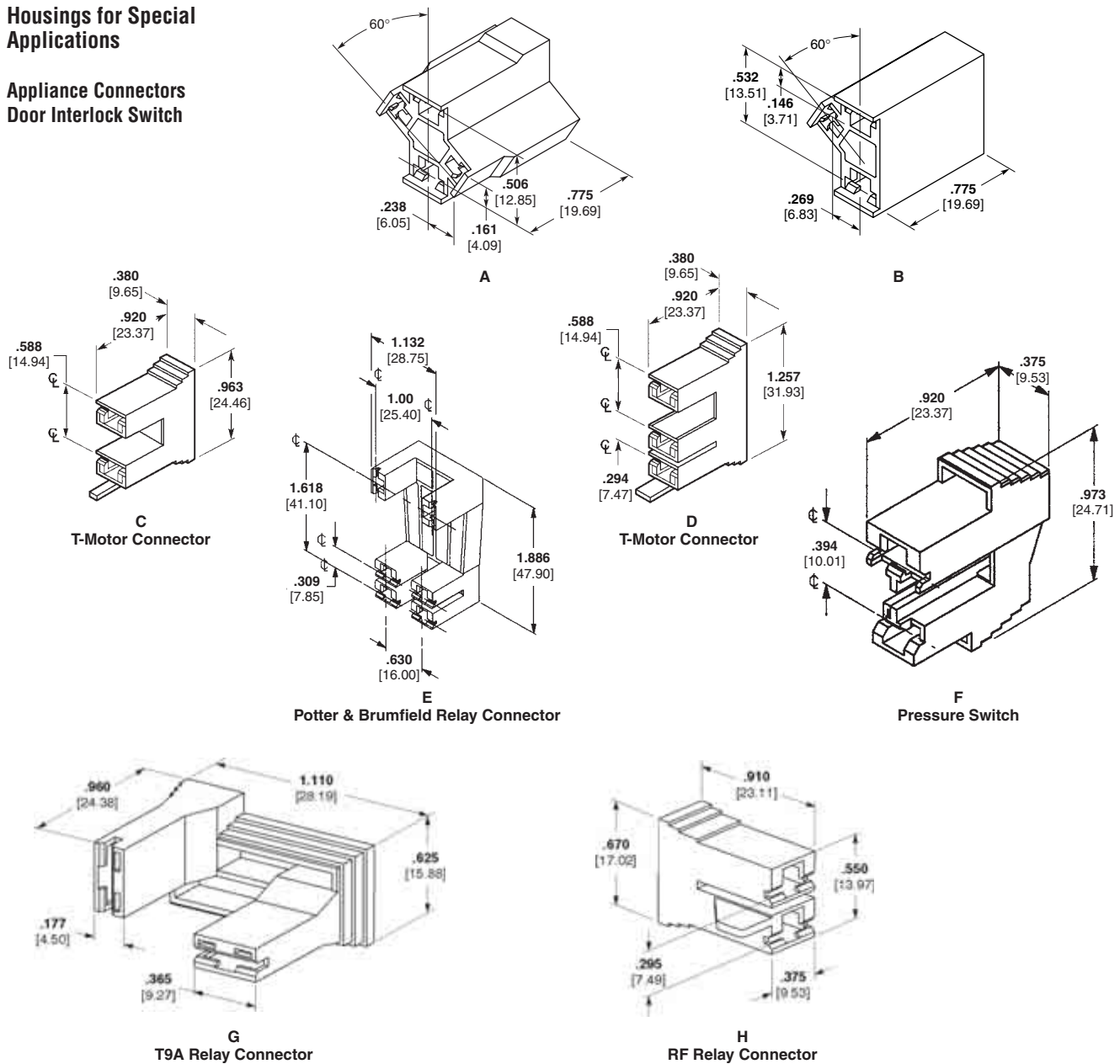
**Note:** All part numbers are RoHS compliant.

**FASTON Housings** (Continued)

**Housings for Special Applications**

**Appliance Connectors  
Door Interlock Switch**

FASTON Housings



| Style | Material | UL 94 <sup>1</sup> | Color         | Part Number | Accepts Terminals |   |   |
|-------|----------|--------------------|---------------|-------------|-------------------|---|---|
| A     | Nylon    | V2                 | Natural 150°C | 521251-1    | 110/187           | X | — |
|       |          |                    | Natural       | 520978-1    | 110/187           | X | X |
| B     | Nylon    | V2                 | Natural 150°C | 520978-2    | 110/187           | X | X |
|       |          |                    | Natural       | 521069-1    | 250 LIF           | X | X |
| C     | Nylon    | V2                 | Natural       | 521069-1    | 250 LIF           | X | X |
| D     | Nylon    | V2                 | Black         | 521070-1    | 250 LIF           | X | X |
| E     | Nylon    | V2                 | Black         | 521140-1    | 63981-1           | X | X |
| F     | Nylon    | V2                 | Black         | 521148-1    | 187 LIF/ 250 LIF  | X | X |
| G     | Nylon    | V0                 | Natural       | 521785-1    | 250 LIF           | X | X |
| H     | Nylon    | V0                 | Natural       | 521771-1    | 250 LIF           | X | X |

<sup>1</sup> Flammability rating of plastic material.

**Note:** All part numbers are RoHS compliant.

**FASTON Housings** (Continued)

**Housings for Special Applications** (Continued)

**Microswitch Connectors**



| Style | Type        | Material | UL 94 <sup>1</sup> | Color   | Insulation Dia. Max. | Dimensions     |                |              |               | Part Number | Accepts Terminal   | UL | SP |
|-------|-------------|----------|--------------------|---------|----------------------|----------------|----------------|--------------|---------------|-------------|--|----|----|
|       |             |          |                    |         |                      | L              | T              | W            | H             |             |  |    |    |
| A     | Loose Piece | Nylon    | V2                 | Natural | .157<br>4.00         | 1.720<br>43.70 | 1.035<br>26.30 | .307<br>7.80 | .520<br>13.20 | 174712-1    | 187 Series<br>MK II Positive Lock Receptacles<br>170324, 170325, 170326                              | X  | X  |
|       |             |          | V0                 | Natural | .157<br>4.00         | 1.720<br>43.70 | 1.035<br>26.30 | .307<br>7.80 | .520<br>13.20 | 1-174712-1  |  |    |    |
| B     | Loose Piece | Nylon    | V2                 | Natural | .157<br>4.00         | 1.720<br>43.70 | 1.035<br>26.30 | .307<br>7.80 | .770<br>19.50 | 172075-1    | 187 Series<br>MK II Positive Lock Receptacles<br>170324, 170325, 170326                              | X  | X  |
|       |             |          | V0                 | Natural | .157<br>4.00         | 1.720<br>43.70 | 1.035<br>26.30 | .307<br>7.80 | .770<br>19.50 | 1-172075-1  |  |    |    |
| C     | Loose Piece | Nylon    | V2                 | Natural | .170<br>4.32         | 1.655<br>42.04 | .845<br>21.46  | .317<br>8.05 | .875<br>22.23 | 520212-1    | 187 Series FASTON<br>Receptacles 42373, 42374,<br>42452, 42453, 42617, 60487,<br>60573, 62137, 62187 | X  | X  |
|       |             |          | V0                 | Natural |                      |                |                |              |               | 520212-2    |  |    |    |
|       |             |          | V2                 | Natural | 360010-1             |                |                |              |               |             |  |    |    |
|       |             |          | V0                 | Natural | 360010-2             |                |                |              |               |             |  |    |    |
| D     | Loose Piece | Nylon    | V0                 | Natural | .195<br>4.95         | 1.500<br>38.10 | .981<br>24.92  | .370<br>9.40 | .536<br>13.61 | 521955-1    | 250 Series<br>MK III Positive Lock Receptacles<br>63993, 63854, 1217092                              | X  | X  |

<sup>1</sup> Flammability rating of plastic material.  
<sup>2</sup> Material according to IEC 60335-1.

**Gas Valve Connectors**



| Style | Material | UL 94 | Color   | Part Number | Accepts Terminal | UL | SP |
|-------|----------|-------|---------|-------------|------------------|----|----|
| A     | Nylon    | V2    | Natural | 521306-1    | 1217345-1        | X  | X  |
| B     | Nylon    | V2    | Natural | 521307-1    | 1217345-1        | X  | X  |

**Wax Motor Connector**



| Style | Material | UL 94 | Color   | Part Number | Accepts Terminal   | UL | SP |
|-------|----------|-------|---------|-------------|--|----|----|
| A     | Nylon    | V0    | Natural | 521766-1    | 250 Series FASTON<br>and Positive Lock Mark III<br>Terminals. Examples<br>include 63306 and 63854. | X  | X  |

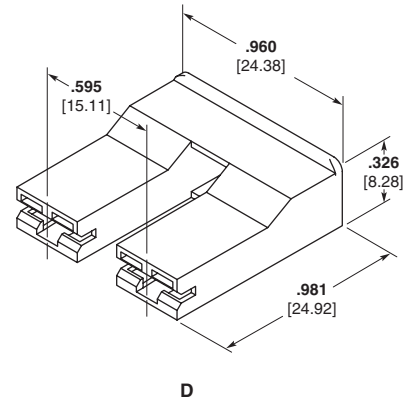
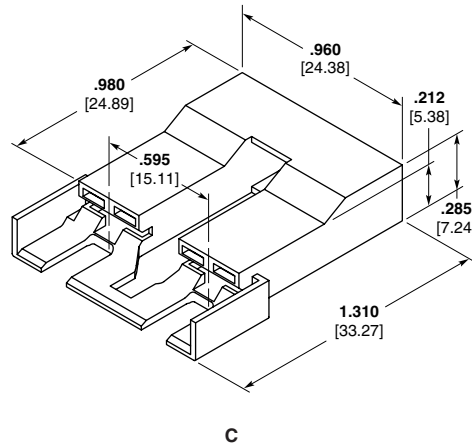
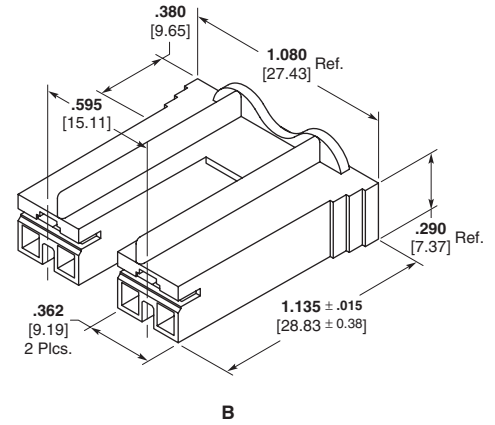
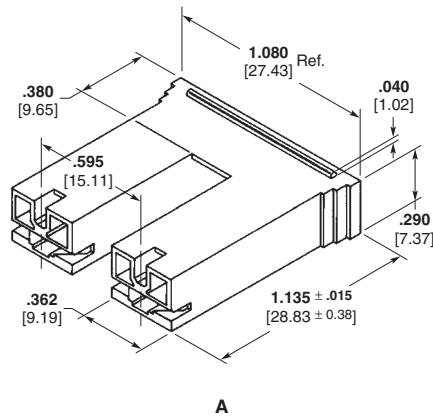
**Note:** All part numbers are RoHS compliant.



**FASTON Housings** (Continued)

**250 Series Water Valve Coil Connector**

This connector is designed to mate with the appliance industry's standard water valve coil. The connector is suitable for such applications as washing machine mixing valves, dishwasher fill valves, and refrigerators with automatic ice makers. The housing has a unique internal cavity design to accommodate either two Positive Lock or two budget and LIF FASTON receptacles.



**Product Facts**

- Helps prevent terminal back-out of housing through plastic retention feature
- Higher disengagement forces possible with Positive Lock or Low Insertion Force (LIF) FASTON receptacles (hole required in mating tab)
- Recognized under the Component Program of Underwriters Laboratories, Inc., File Nos. E28476 and E13288.



| Style | Material | UL 94 <sup>2</sup> | Color <sup>4</sup> | Part Number           | Accepts   |   |   |
|-------|----------|--------------------|--------------------|-----------------------|---|---|---|
| A     | Nylon    | V2                 | Natural            | 520935-1              | 250 Series FASTON and Positive Lock Mark II Terminals. Examples Include 42400, 42510, 63306, 63097 <sup>1</sup> , 63119 <sup>1</sup> , 63239 <sup>1</sup> , and 170328 <sup>1</sup> | X | X |
|       |          |                    | Red                | 520935-2              |   |   |   |
|       |          |                    | Black              | 520935-3 <sup>3</sup> |   |   |   |
|       |          |                    | Green              | 520935-4              |   |   |   |
|       |          |                    | Blue               | 520935-5              |   |   |   |
|       |          |                    | Yellow             | 520935-6              |   |   |   |
|       |          |                    | Brown              | 520935-7              |   |   |   |
| B     | Nylon    | V0                 | Natural            | 521229-1              | X   | — |   |
|       |          |                    | Red                | 521229-2              |   |   |   |
| C     | Nylon    | V2                 | Natural            | 521253-1              | 250 Series FASTON and Positive Lock Mark III Terminals. Examples Include 63306 and 63854  | X | X |
|       |          |                    | Red                | 521253-2              |   |   |   |
|       |          | V0                 | Red                | 1-521253-2            |   |   |   |
|       |          |                    | Green              | 1-521253-3            |   |   |   |
| D     | Nylon    | V2                 | Blue               | 1-521253-7            | X   | X |   |
|       |          |                    | Natural            | 521119-1              |   |   |   |
|       |          |                    | Putty              | 521119-2              |   |   |   |
|       |          |                    | Blue               | 521119-4              |   |   |   |

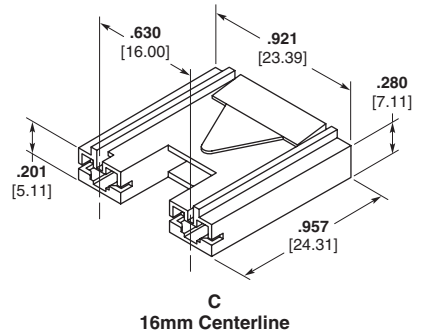
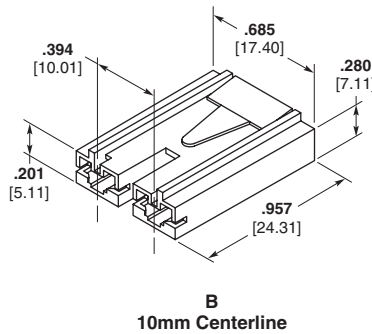
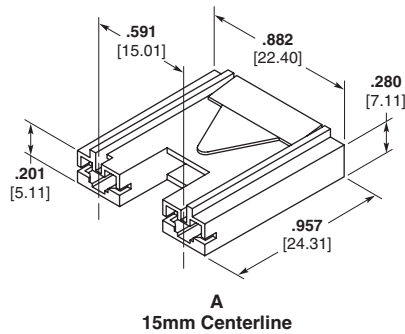
<sup>1</sup> For Positive Lock mark II receptacles, refer to pages 78-83.  
<sup>2</sup> Flammability rating of plastic material.  
<sup>3</sup> Weather resistant material.  
<sup>4</sup> Additional colors available.

**Note:** All part numbers are RoHS compliant.

FASTON Housings

**FASTON Housings** (Continued)

**187 Series Connector**



| Style | Material | UL 94 | Color   | Part Number | Accepts Terminals         |
|-------|----------|-------|---------|-------------|---------------------------|
| A     | Nylon    | V0    | Natural | 176498-1    | 170324,<br>170325, 170326 |
|       |          |       | Black   | 176498-2    |                           |
|       |          |       | Yellow  | 176498-4    |                           |
|       |          |       | Blue    | 176498-6    |                           |
| B     | Nylon    | V0    | Natural | 179720-1    | 170324,<br>170325, 170326 |
|       |          |       | Black   | 179720-2    |                           |
|       |          |       | Yellow  | 179720-4    |                           |
|       |          |       | Blue    | 179720-6    |                           |
|       |          |       | Red     | 179720-7    |                           |
| C     | Nylon    | V0    | Natural | 353148-1    | 170324,<br>170325, 170326 |
|       |          |       | Yellow  | 353148-4    |                           |
|       |          |       | Green   | 353148-5    |                           |
|       |          |       | Blue    | 353148-6    |                           |

**Note:** All part numbers are RoHS compliant.