
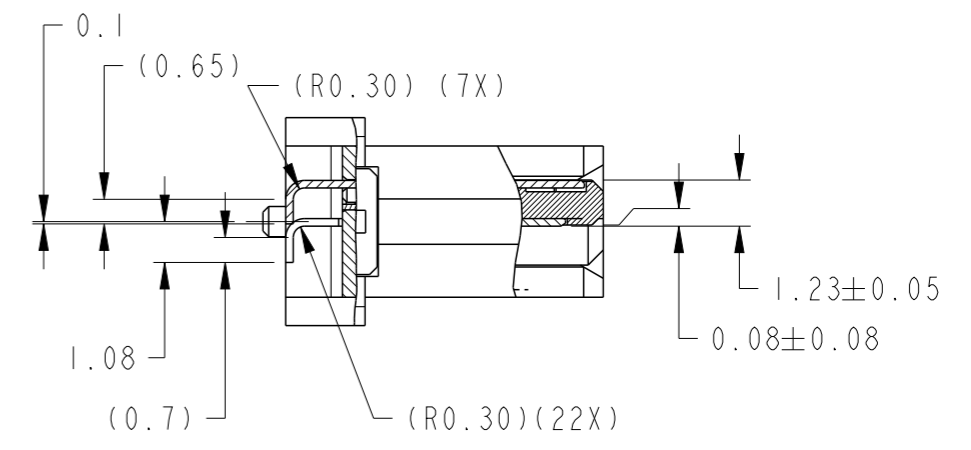
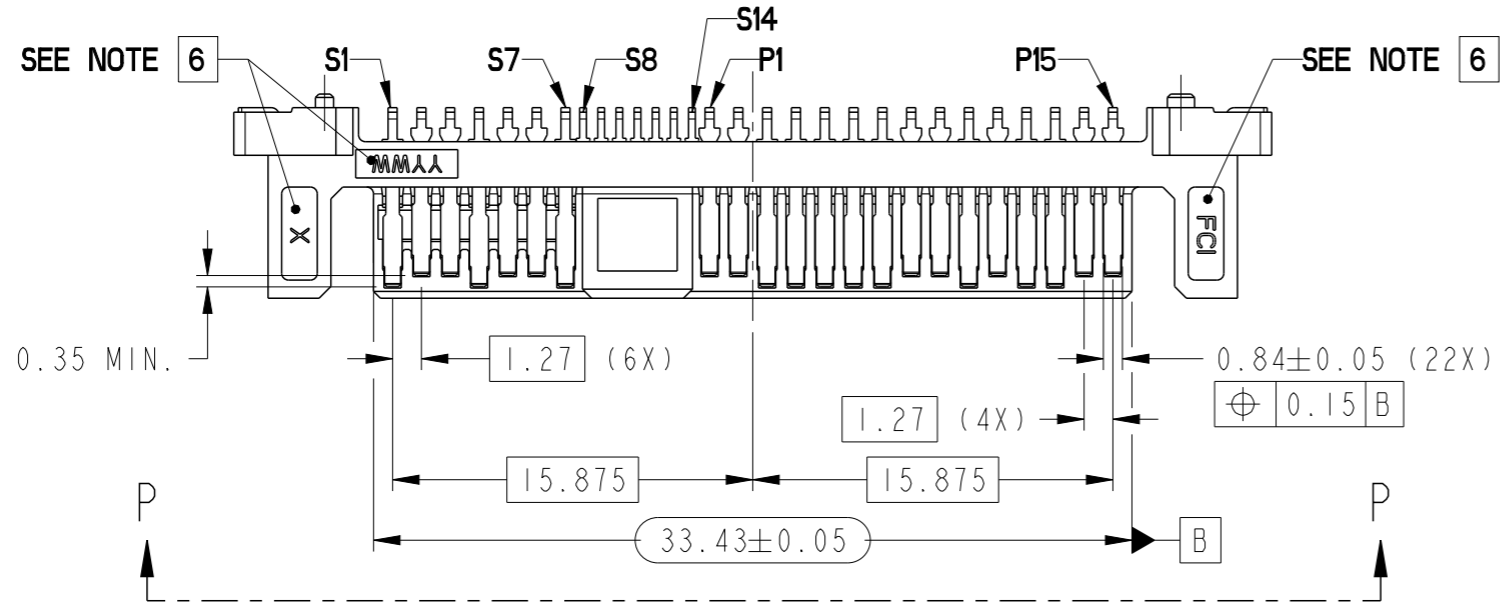
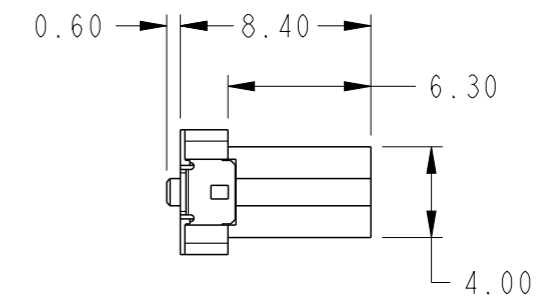
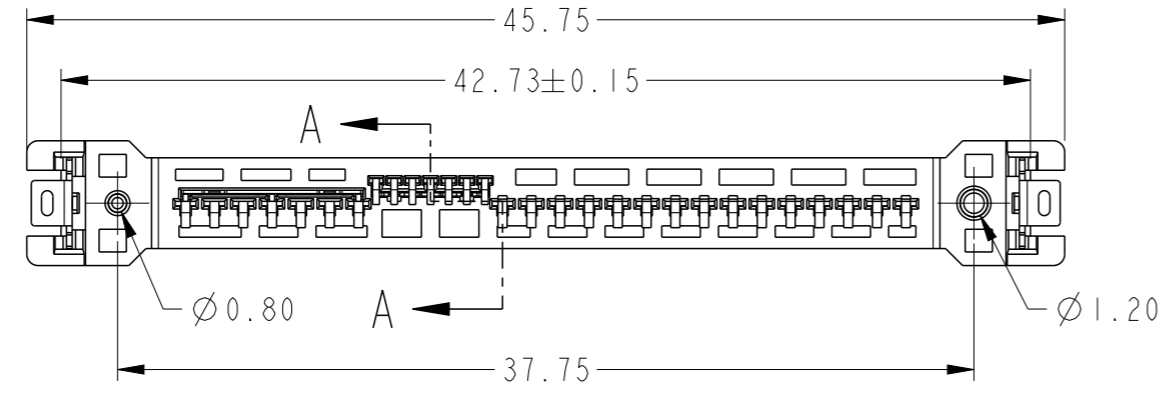
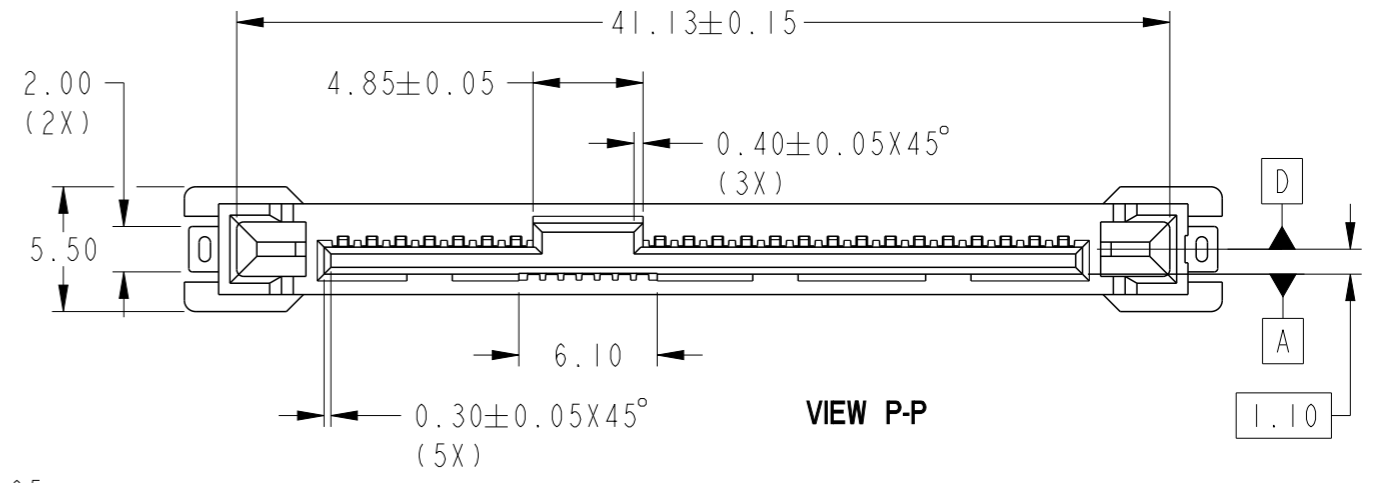
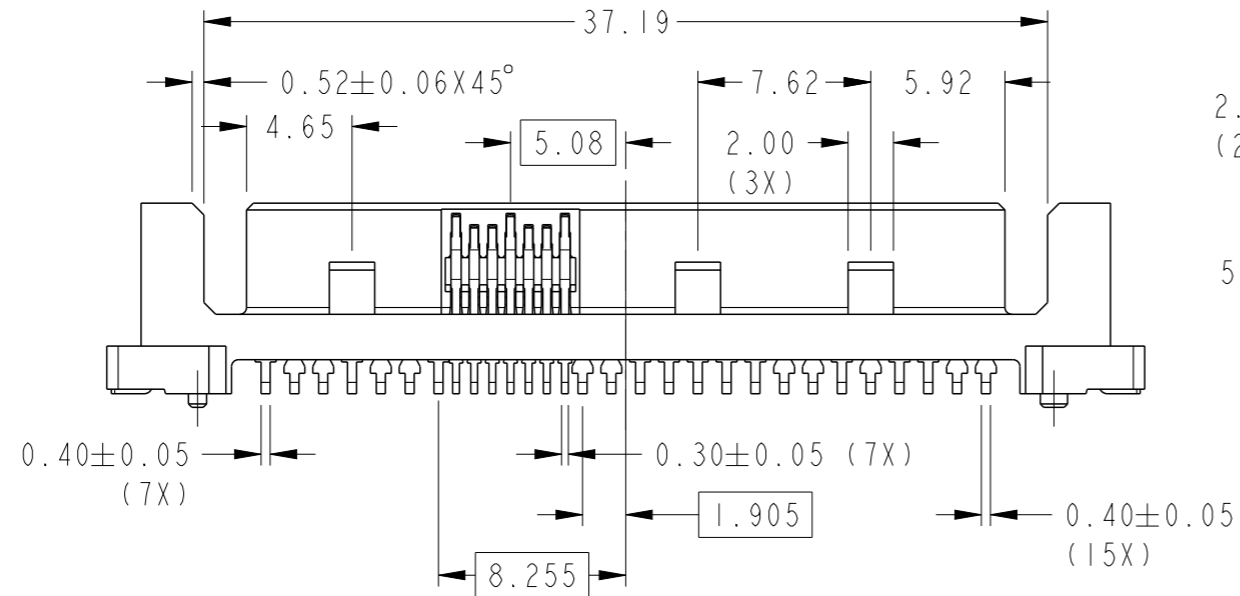
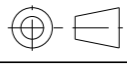


PRODUCT NUMBER
 10131436-001LF
 10131436-002LF 

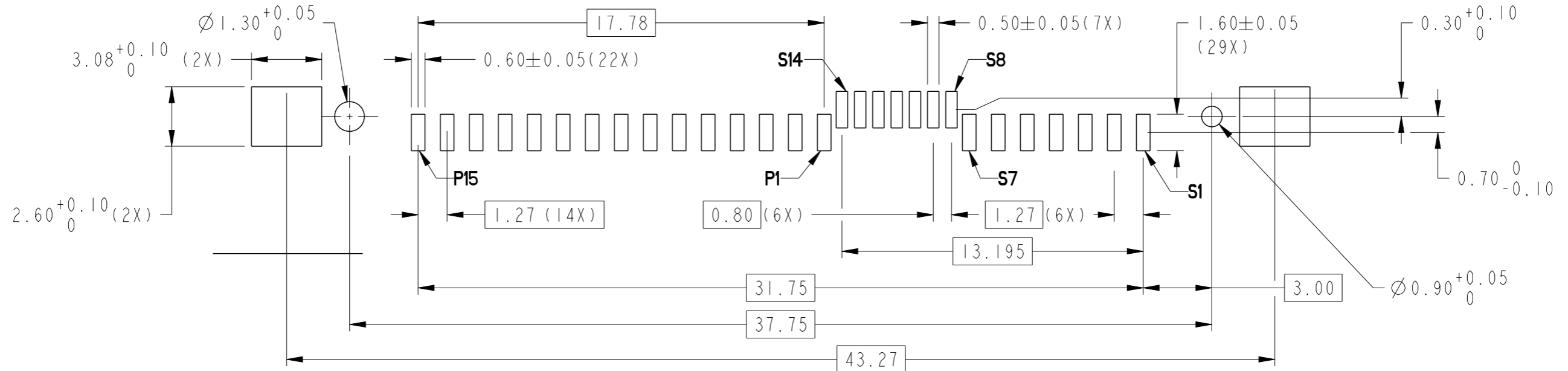


SECTION A-A
 SCALE 5:1

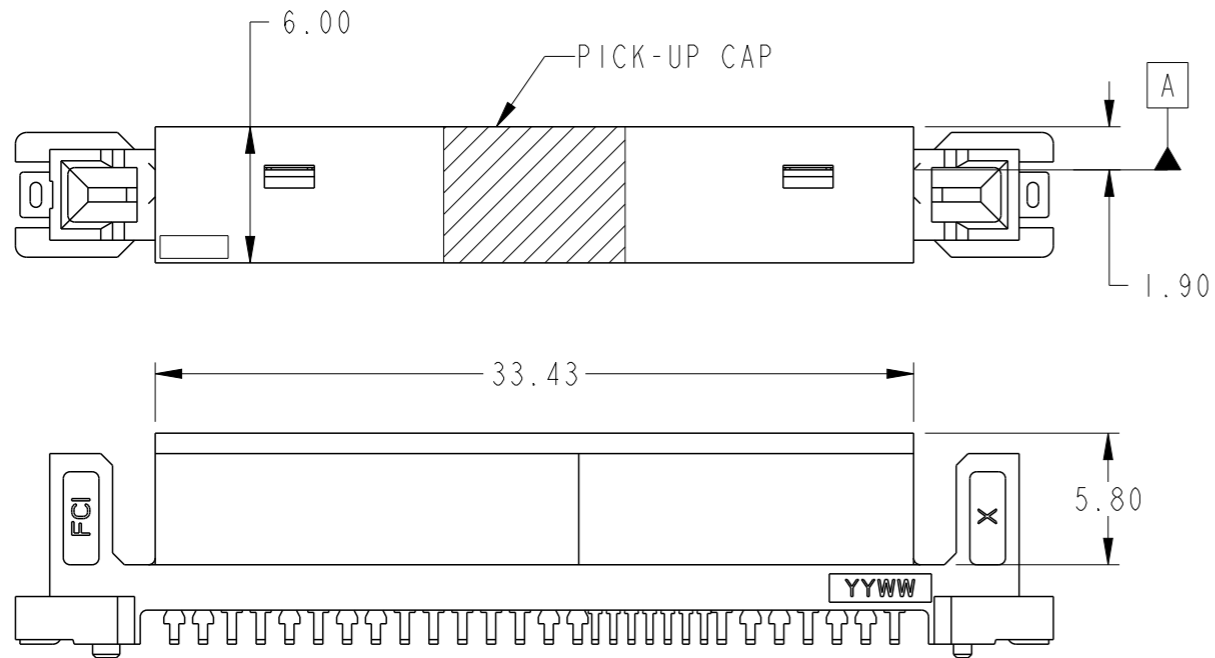
Amphenol FCI
 © 2016 AFCI

spec ref	dr	S Paulpandian	2014/11/21	projection	MM	size	A3	scale	3:1
tolerance std	eng	Siew-Leong Lim	2016/06/03		← →	ecn no	ELX-S-24203-1	rel level	Released
ASME Y14.5	chr	-	-						
TOLERANCES UNLESS OTHERWISE SPECIFIED	appr	Koon-Poh Tay	2016/06/10	product family					
surface	linear	0.X	±0.40	Amphenol FCI	12G SAS PLUG VERTICAL SMT ASSY	dwg no	10131436	rev	B
ASME Y14.5	angular	0.XX	±0.25						
		0.XXX	±						
		0°	±5°	cat. no.	Product - Customer Drw	sheet 1 of 3			

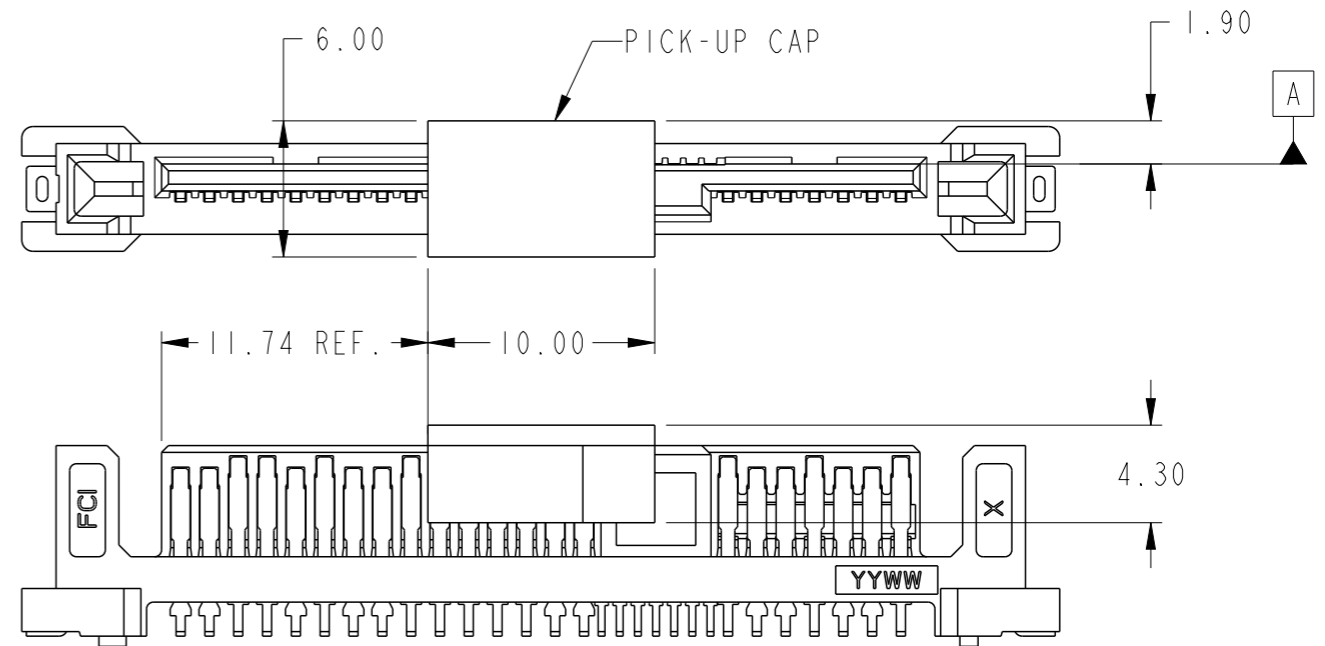
PRODUCT NUMBER
SEE TABLE



SCALE 5:1
RECOMMENDED SOLDER PAD LAYOUT



SCALE 3:1
WITH PICK-UP CAP ATTACHED
10131436-002



SCALE 3:1
WITH PICK-UP CAP ATTACHED
10131436-001

spec ref	dr	S Paulpandian	2014/11/21	projection	MM	size	A3	scale	3:1
tolerance std	eng	Siew-Leong Lim	2016/06/03			ecn no	ELX-S-24203-1	rel level	Released
ASME Y14.5	chr	-	-						
TOLERANCES UNLESS OTHERWISE SPECIFIED				product family					
surface	linear	0.X	±0.40	Amphenol FCI	12G SAS PLUG VERTICAL SMT ASSY	dwg no 10131436	rev B	Product - Customer Drw	
		0.XX	±0.25					sheet 2 of 3	
ASME Y14.5	angular	0°	±5°					cat. no.	

1

2

3

4

PRODUCT NUMBER	WITH PICK-UP CAP	PACKAGING	PLATING SPEC.
10131436-001LF / -002LF \triangle_B	NO	TRAY	SEE NOTE 2
10131436-001CLF / -002CLF \triangle_B	YES		
10131436-001C-TRLF / -002C-TRLF \triangle_B		TAPE & REEL	

NOTES:

1. MATERIAL:
HOUSING: HIGH TEMPERATURE PLASTIC, BLACK, UL94V-0
CONTACT: COPPER ALLOY
SOLDER TAB: COPPER ALLOY
2. FINISH:
CONTACTS:
1.27um~2.54um NICKEL UNDERPLATE OVERALL,
2.54um~5.08um TIN (LEAD-FREE) ON SOLDER TAIL,
0.76um MIN Au ON MATING AREA.
SOLDER TAB:
1.27um~2.54um NICKEL UNDERPLATE OVERALL,
2.54um~5.08um TIN (LEAD-FREE) ON SOLDER TAIL,
3. THIS PRODUCT MEETS EUROPEAN UNION DIRECTIVES AND OTHER COUNTRY REGULATIONS AS DESCRIBED IN GS-47-004
4. THE HOUSING WILL WITHSTAND EXPOSURE TO 260°C PEAK TEMPERATURE FOR 10 SECONDS IN A CONVECTION, INFRA-RED OR VAPOR PHASE REFLOW OVEN
5. COPLANARITY FROM SEATING PLANE: 0.1mm MAX.
6. THE PART SHALL HAVE DATE CODE (YYWW), VENDOR LOGO AND CAVITY NUMBER SHOWN AT THIS AREA.
7. A SYMBOL \triangle_B WILL BE NEXT TO ANY DIMENSION, VIEW OR NOTE WHICH HAS BEEN MODIFIED WITH THE CURRENT DRAWING REVISION.

Amphenol
FCi

© 2016 AFCI

spec ref		dr	S Paulpandian	2014/11/21	projection	MM	size	A3	scale	3:1		
tolerance std		eng	Siew-Leong Lim	2016/06/03		← →	ecn no		ELX-S-24203-1			
ASME Y14.5		chr	-	-			rel level		Released			
surface		appr	Koon-Poh Tay	2016/06/10	product family			dwg no		10131436	rev	B
ASME Y14.5		TOLERANCES UNLESS OTHERWISE SPECIFIED		Amphenol FCi		12G SAS PLUG VERTICAL SMT ASSY		cat. no.		Product - Customer Drw		sheet 3 of 3
	linear	0.X	±0.40									
		0.XX	±0.25									
		0.XXX	±-									
	angular	0°	±5°									

1

2

3

PDS: Rev :B

STATUS:Released

Printed: Jun 10, 2016