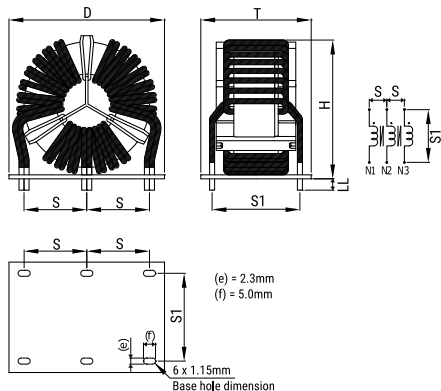


**KEMET Part Number: SCF47B-300-S2R0B012J**  
(UALF47BS012J00)

KEMET, SCF Three Phase, AC Line Filters, Common Mode, 1200 uH



Dimensions	
D	63mm MAX
T	45mm MAX
H	65mm MAX
LL	5.1mm +/-1mm
S	25mm NOM

Packaging Specifications	
Packaging:	Tray
Packaging Quantity:	27
Weight:	238.5 g

General Information	
Series:	SCF Three Phase
Style:	Through-Hole
Features:	High Impedance, Space Saving
RoHS:	Yes
Notes:	Lead Spacing (S/S1) Are For Reference Only.
Miscellaneous:	Temperature Rise Maximum: 50 K

Specifications	
Voltage AC:	250 VAC
Inductance:	1.2 mH (100 kHz)
Current:	30 A
Temperature Range:	-25/+105°C
DC Resistance:	2.4 mOhms