

# M83723/61, MS27296 and MS27297 Dummy Storage Receptacle Threaded or Bayonet Coupling



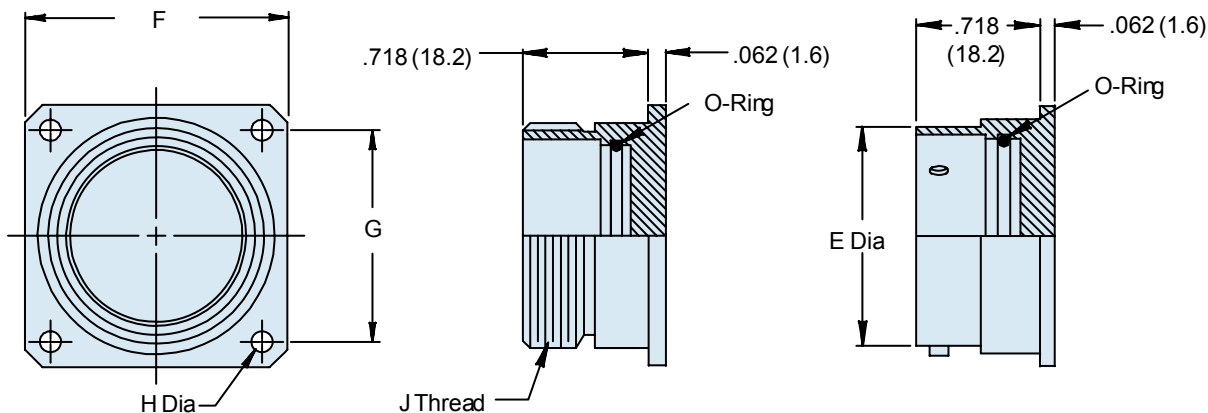
**MATING CONNECTOR**  
MIL-DTL-26500 and  
MIL-DTL-83723, Series III

**Basic Part No.**  
M83723/61-1 Threaded Coupling  
M83723/61-2 Bayonet Coupling

**Material and Finish**  
A = Black Anodize  
R = Electroless Nickel  
W = Cadmium Olive Drab  
over Electroless Nickel

**M83723/61-1 18 A**

Shell Size



**TABLE I: Dash Number, Cable Entry and Backshell Dimensions**

M83723 Shell Size	MS27296 MS27297 Dash No. Ref	Ø E Max		F Dim		G Dim		Ø H Max		J Thread
8	7	.561	(14.2)	.812	(20.6)	.594	(15.1)	.125	(3.2)	9/16 - 24 UNEF
10	1	.696	(17.7)	.937	(23.8)	.719	(18.3)	.125	(3.2)	11/16 - 24 UNEF
12	2	.875	(22.2)	1.031	(26.2)	.812	(20.6)	.125	(3.2)	7/8 - 20 UNEF
14	3	.935	(23.7)	1.125	(28.6)	.906	(23.0)	.125	(3.2)	15/16 - 20 UNEF
16	4	1.062	(27.0)	1.250	(31.8)	.969	(24.6)	.125	(3.2)	1 1/16 - 18 UNEF
18	5	1.187	(30.1)	1.343	(34.1)	1.062	(27.0)	.125	(3.2)	1 3/16 - 18 UNEF
20	8	1.312	(33.3)	1.437	(36.5)	1.156	(29.4)	.125	(3.2)	1 5/16 - 18 UNEF
22	6	1.437	(36.5)	1.562	(39.7)	1.250	(31.8)	.125	(3.2)	1 7/16 - 18 UNEF
24	9	1.562	(39.7)	1.703	(43.3)	1.375	(34.9)	.154	(3.9)	1 9/16 - 18 UNEF

## APPLICATION NOTES

1. Assembly to be identified with manufacturer's name and part number, space permitting.
2. For complete dimensions, see the applicable Military Specification.
3. Metric dimensions (mm) are in parentheses.