

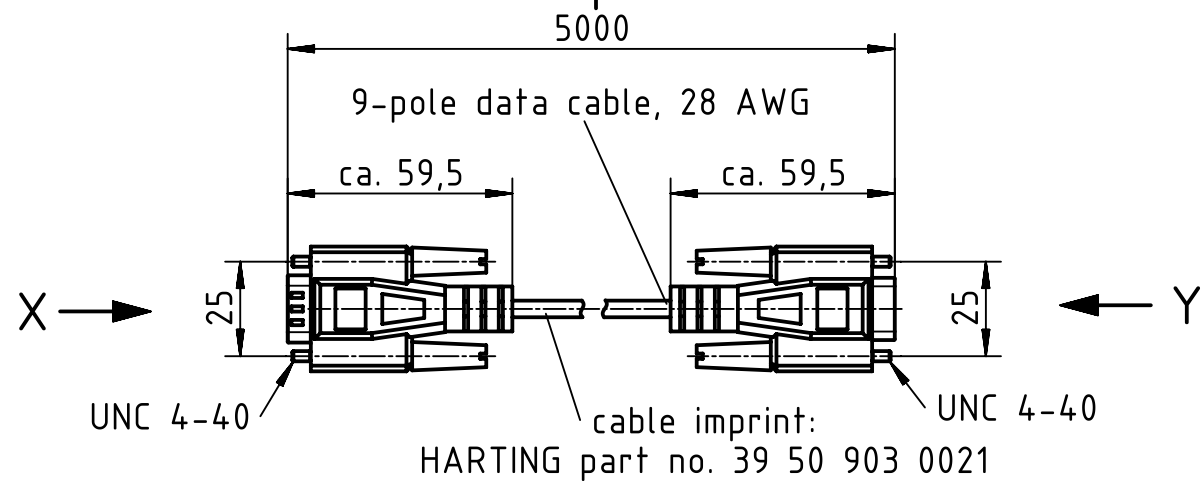
1 2 3 4 5 6

A

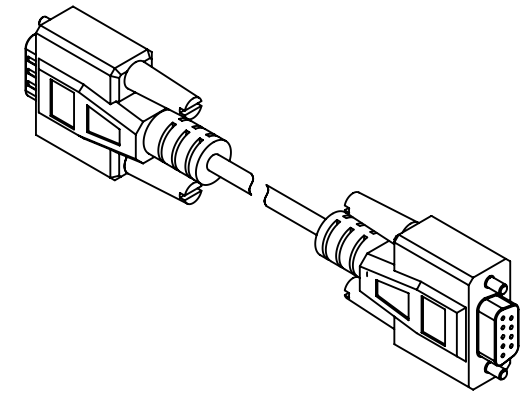
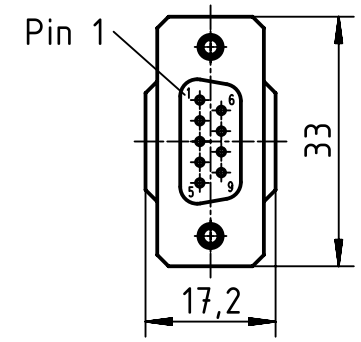
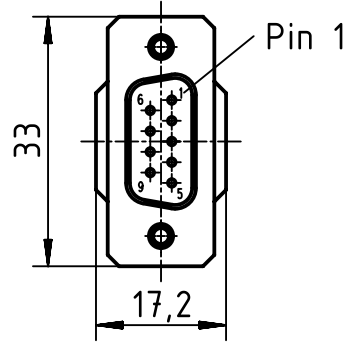
B

C

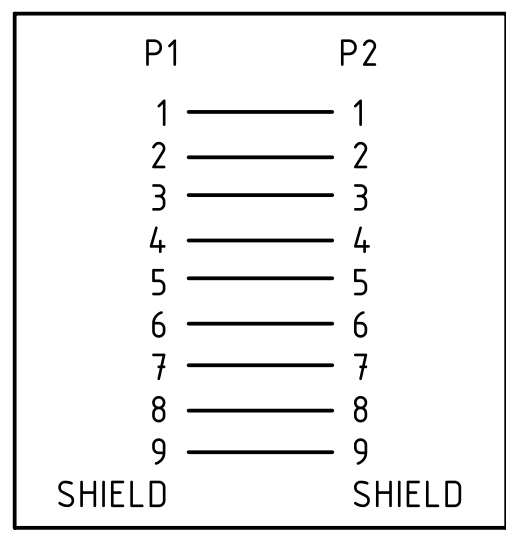
D



X DB9 M 1:1 P1 Y DB9 F 1:1 P2



circuit diagram



	All rights reserved Department EL PD - DE HARTING Electric GmbH & Co. KG D-32339 Espelkamp	All Dimensions in mm Original Size DIN A4	Scale 1:1	Free size tol.	Ref. Sub.
		Created by FINKEV	Inspected by BERGHORN	Standardisation RUETERA	Date 2014-12-09
Title Cable SUB-D9,f-m; 5 m					Doc-Key / ECM-Nr. 100093423/UGD/003/A 500000082786
Type TB		Number 39 50 903 0021			Rev. A
					Page 1/1

Mouser Electronics

Authorized Distributor

Click to View Pricing, Inventory, Delivery & Lifecycle Information:

[HARTING:](#)

[39509030021](#)