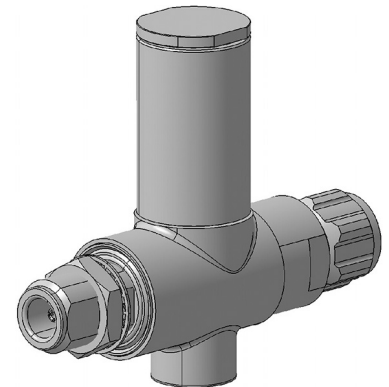


## EMP Protector 3407.17.0053

### Description

Quarter-wave stub technology with integrated high-pass filter

Compliant to IEC 61643-21



### Product Configuration

Main path connectors	Port 1: <u>unprotected</u> , N plug (male) - Port 2: <u>protected</u> , N jack (female)
Mounting and grounding	MH12 (bulkhead mounting), M8 (screw), brk (bracket)
Side of bulkhead	protected side

### Technical Data

#### Electrical Data

Impedance	50 $\Omega$
Frequency range	320 - 512 MHz
Return loss	$\geq 20$ dB
Insertion loss	$\leq 0.2$ dB
RF CW power	$\leq 500$ W
PIM 3rd order	not specified

Surge current handling capability	50 multiple kA (test pulse 8/20 $\mu$ s)
Residual pulse energy	0.03 $\mu$ J typically (test pulse 4 kV 1.2/50 $\mu$ s / 2 kA 8/20 $\mu$ s) main path - protected side

#### Mechanical Data

Number of matings	500
Weight	320 g

#### Environmental Data

Operating temperature	-40 $^{\circ}$ C to +85 $^{\circ}$ C
Waterproof degree	IP65 (according to IEC 60529, data refer to the coupled state)
2011/65/EU (RoHS - including 2015/863 and 2017/2102)	compliant acc. Annex III

#### Material Data

Piece Parts	Material	Surface Plating
Housing	Brass	SUCOPLATE (R) Plating
Port 1 center contact	Brass	Gold Plating (without Nickel underplating)
Port 2 center contact	Copper Beryllium Alloy	Gold Plating (without Nickel underplating)

### Related Documents

Outline drawing	DOU-00079712.1
Mounting instruction	DOC-0000176104

# Mouser Electronics

Authorized Distributor

Click to View Pricing, Inventory, Delivery & Lifecycle Information:

[HUBER+SUHNER:](#)

[3407.17.0053](#)