

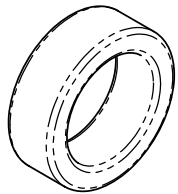
8 7 6 5 4 3 2 1

**NOTES:**

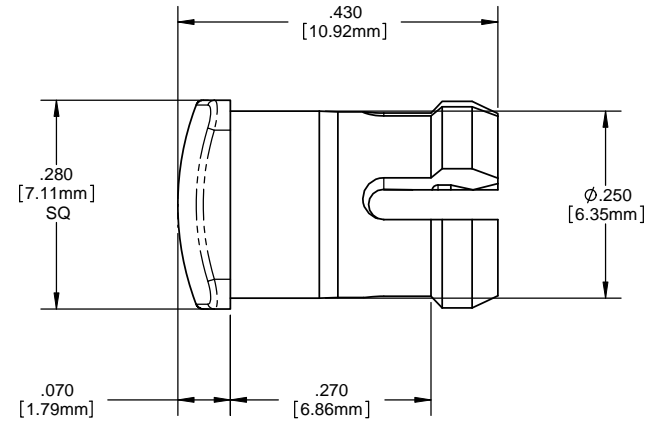
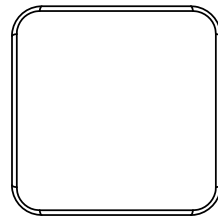
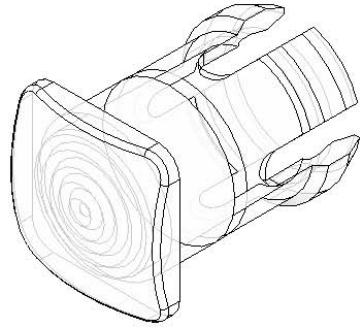
1. **MOUNTING:** Mounts in a  $\phi .250 \pm .002$  [ $\phi 6.35\text{mm} \pm .05$ ] panel hole on .375 [9.5mm] centers. Panel thickness .031 [.8 mm] to .250 [6.35mm]. Panel hole should be deburred, but not chamfered.
2. **ASSEMBLY:** Insert lens through panel hole, (for thin panels less than .188 [4.75mm] thick, slide SPC 125 spacer on back of lens), and insert LED into lens.
3. **MATERIAL:** Polycarbonate, UL 94-V2
4. **U.S. & Foreign Pat. Issued & Pend.**

REVISIONS				
ECN#	REV.	DESCRIPTION	DATE	INITIALS
	001	REVISED PER ECR111009AZ01	4-23-10	SMU

**RETAINERS  
(ORDER SEPARATELY)**



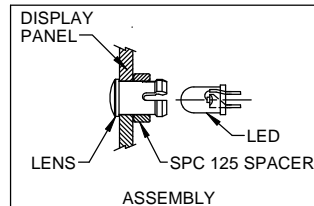
SPC 125



ORDERING CODE : **SOB 400 XXX**

MODEL

LENS COLOR	
RTP	RED TRANSPARENT
ATP	AMBER TRANSPARENT
GTP	GREEN TRANSPARENT
BTP	BLUE TRANSPARENT
YTP	YELLOW TRANSPARENT
CTP	CLEAR TRANSPARENT



<small>UNLESS OTHERWISE SPECIFIED DIMENSIONS ARE IN INCHES</small> ANGLES DECIMALS ±1° FINISH .X ±.020 .XX ±.010 .XXX ±.005 BREAK ALL CORNERS AND SHARP EDGES 90° MIN	<b>MATERIAL</b> POLYCARBONATE, UL 94-V2	<b>VISUAL COMMUNICATIONS COMPANY, INC.</b> 190 Bosstick Boulevard, Suite 101 San Marcos, CA 92069 USA Phone (760) 560-1300 Fax (760) 560-1301 email vccsales@vccite.com										
	<b>FINISH</b> SEE NOTES	<b>TITLE: 5MM SQUARE LOW PROFILE FRESNEL LENS</b>										
 <small>THIRD ANGLE PROJECTION</small>	<table border="1"> <tr> <th>APPROVAL</th> <th>DATE</th> </tr> <tr> <td>SMU</td> <td>4-23-10</td> </tr> </table>	APPROVAL	DATE	SMU	4-23-10	<table border="1"> <tr> <td>SIZE</td> <td>DWG. NO.</td> <td>REV</td> </tr> <tr> <td><b>B</b></td> <td><b>SQB 400 XXX</b></td> <td><b>001</b></td> </tr> </table>	SIZE	DWG. NO.	REV	<b>B</b>	<b>SQB 400 XXX</b>	<b>001</b>
APPROVAL	DATE											
SMU	4-23-10											
SIZE	DWG. NO.	REV										
<b>B</b>	<b>SQB 400 XXX</b>	<b>001</b>										
<small>THE INFORMATION CONTAINED IN THIS DRAWING IS THE SOLE PROPERTY OF VISUAL COMMUNICATIONS COMPANY, INC. AND IS LOANED TO YOU AS A SINGLE COPY. IT IS NOT TO BE REPRODUCED OR TRANSMITTED IN ANY FORM OR BY ANY MEANS, ELECTRONIC OR MECHANICAL, INCLUDING PHOTOCOPYING, RECORDING, OR BY ANY INFORMATION STORAGE AND RETRIEVAL SYSTEM.</small>	<table border="1"> <tr> <th>CHECKED:</th> <th>DATE</th> </tr> <tr> <td>DZ</td> <td>4-23-10</td> </tr> </table>	CHECKED:	DATE	DZ	4-23-10	<table border="1"> <tr> <td>SCALE: 1:1</td> <td>SHEET 1 OF 1</td> </tr> </table>	SCALE: 1:1	SHEET 1 OF 1				
CHECKED:	DATE											
DZ	4-23-10											
SCALE: 1:1	SHEET 1 OF 1											
<small>DO NOT SCALE DRAWING</small>												

8 7 6 5 4 3 2 1