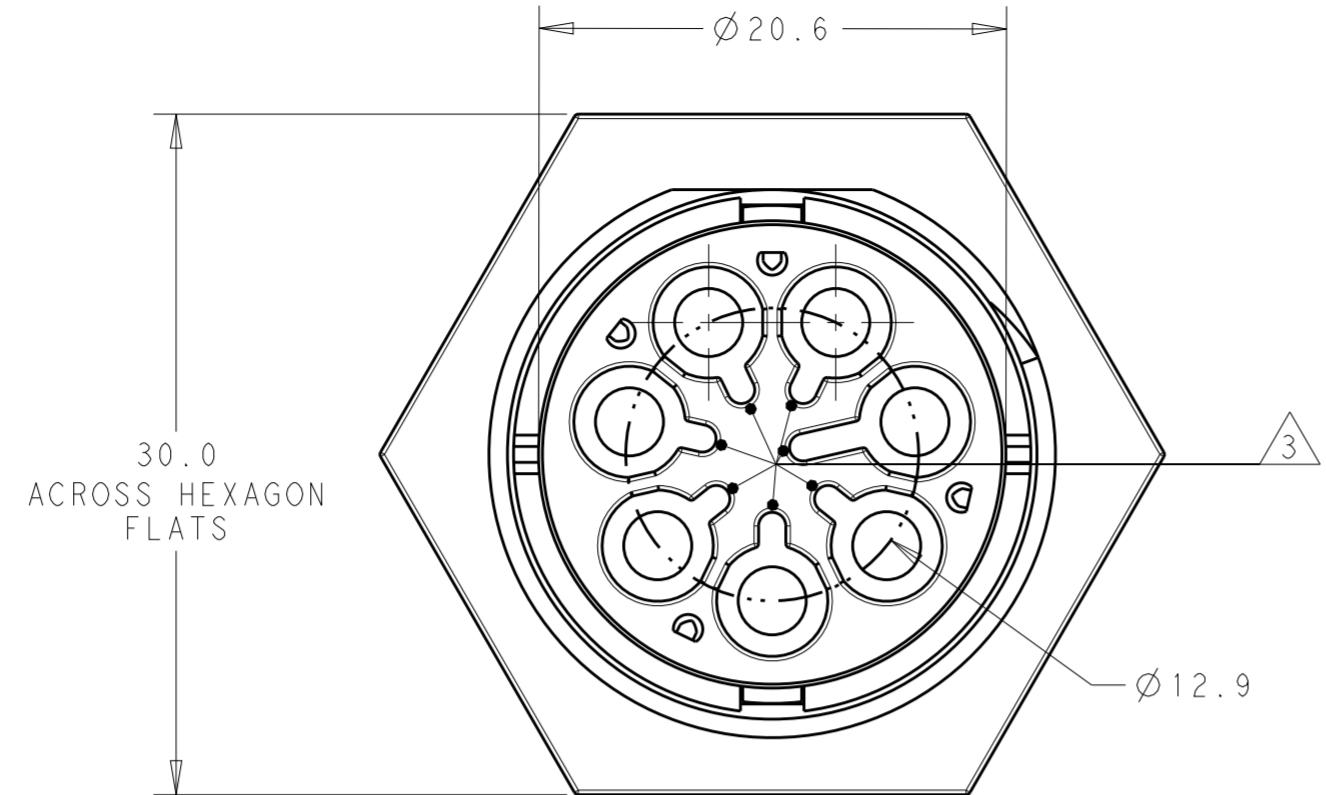


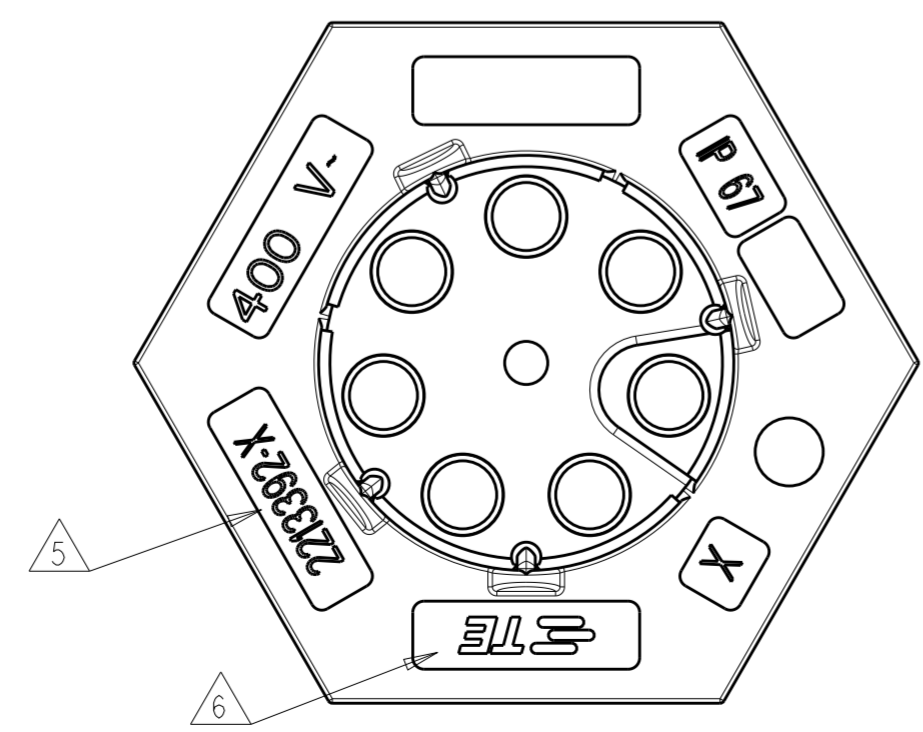
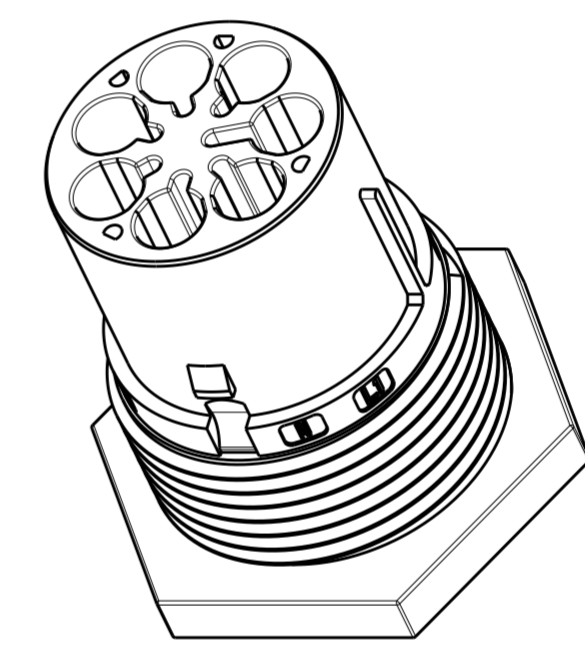
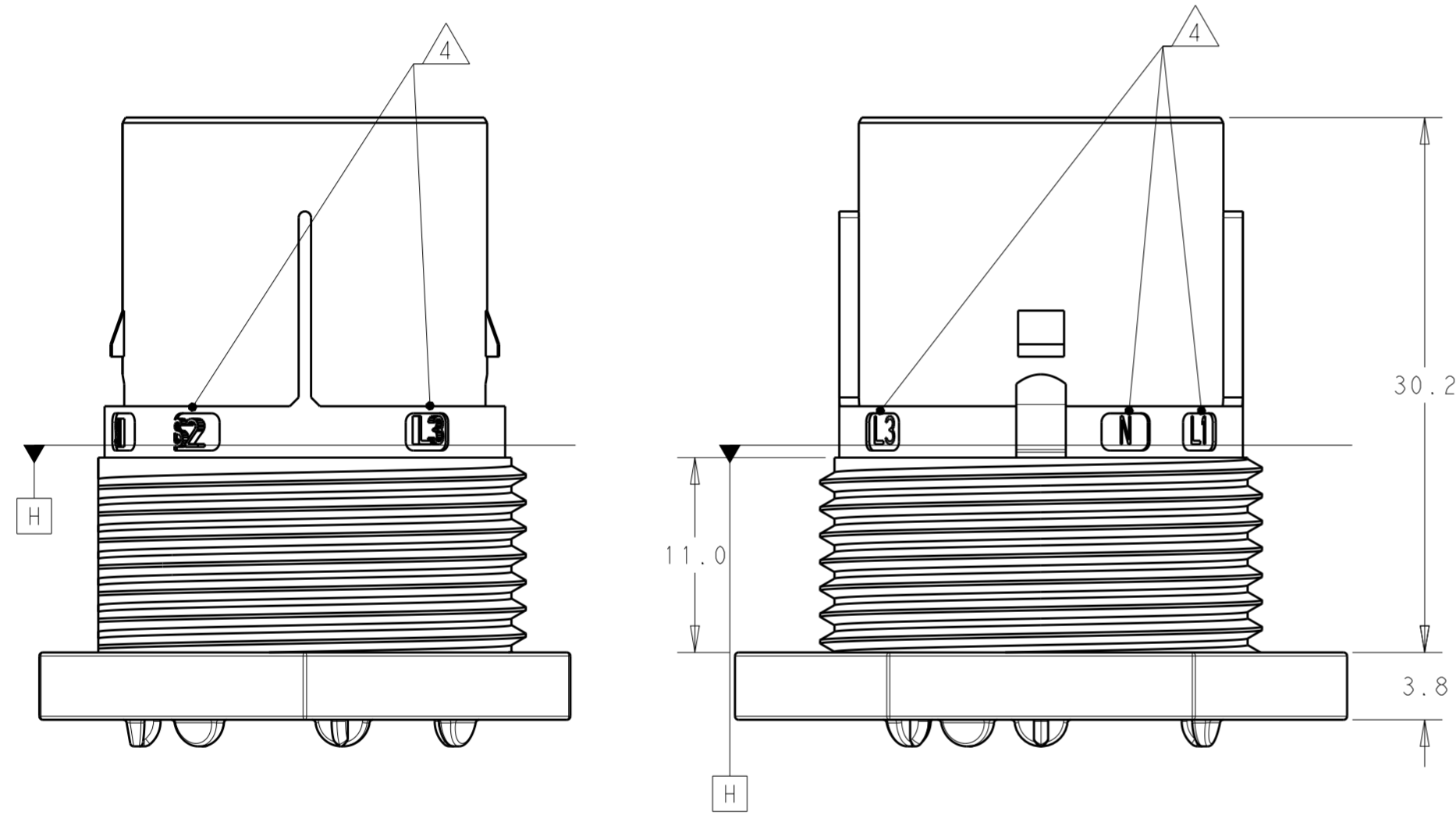
THIS DRAWING IS UNPUBLISHED. RELEASED FOR PUBLICATION 20  
 © COPYRIGHT 20 BY - ALL RIGHTS RESERVED.

REVISIONS				
P	LTR	DESCRIPTION	DATE	APVD
A		REVISED AS PER ECR-15-005925	21APR2015	RS JL



NOTES:

- 1. MATERIAL: GLASS FILLED PBT, COLOR: BLACK
- 2. MUST COMPLY WITH DIRECTIVE 2002/95/EC (ROHS)
- 3. ALL POLARIZATION KEYS SHOWN FOR REF ONLY.
- 4. CIRCUIT I.D.
- 5. TE PART NUMBER.
- 6. TE LOGO
- 7. THIS PRODUCT HAS NOT COMPLETED VALIDATION TESTING



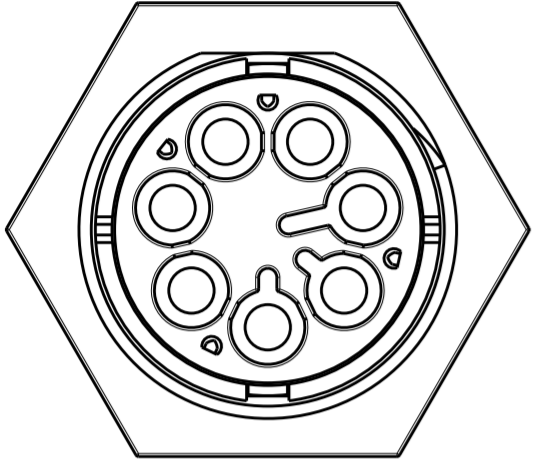
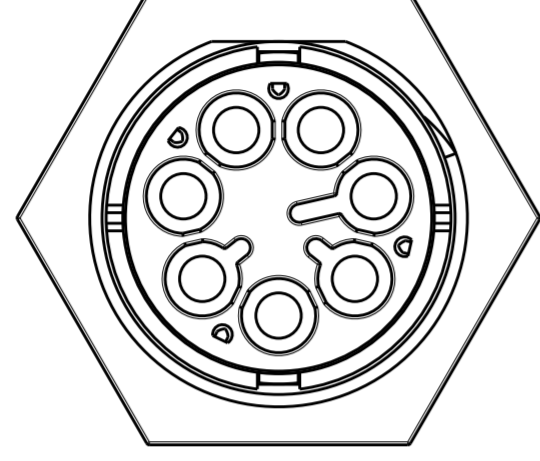
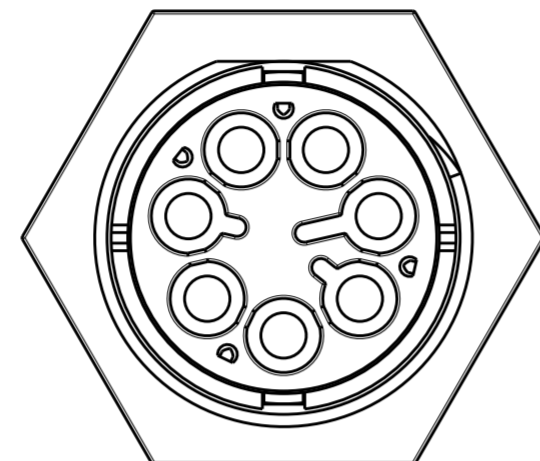
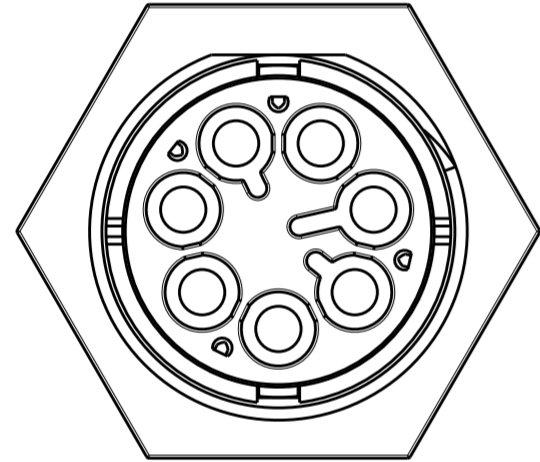
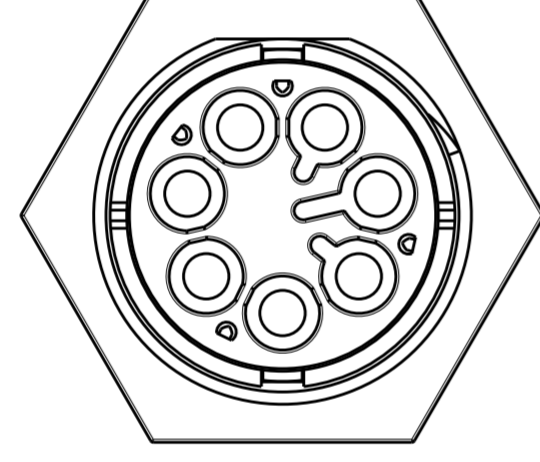
E	PANEL MT PIN. SEALED NECTOR M, 7 POLE	2213392-5
D	PANEL MT PIN. SEALED NECTOR M, 7 POLE	2213392-4
C	PANEL MT PIN. SEALED NECTOR M, 7 POLE	2213392-3
B	PANEL MT PIN. SEALED NECTOR M, 7 POLE	2213392-2
A	PANEL MT PIN. SEALED NECTOR M, 7 POLE	2213392-1
POLARIZATION TYPE		DESCRIPTION
		PART NUMBER

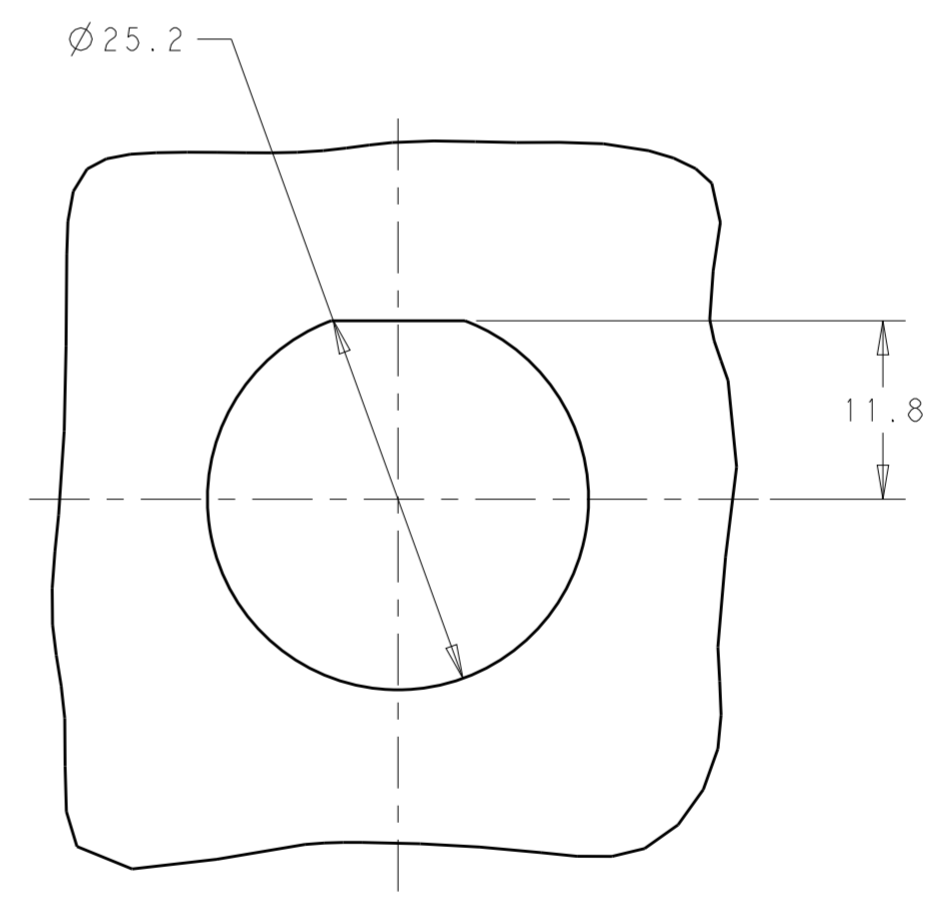
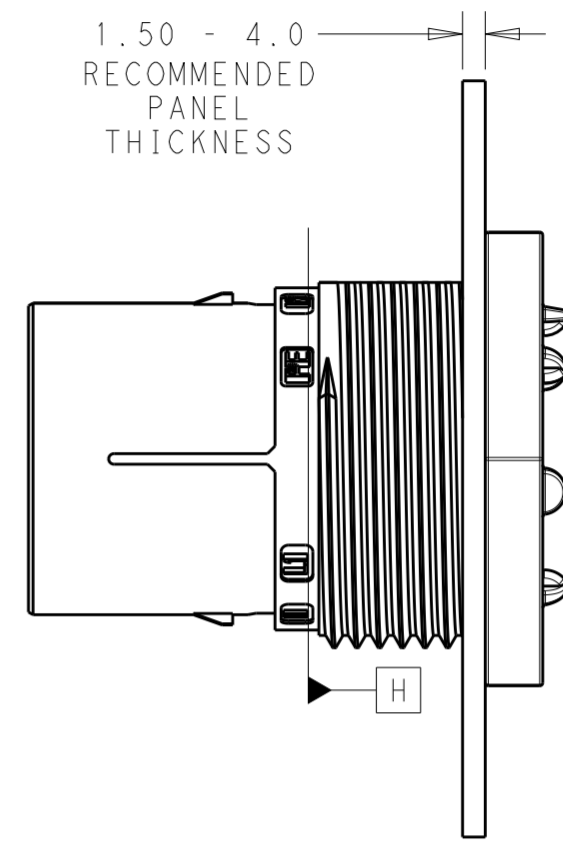
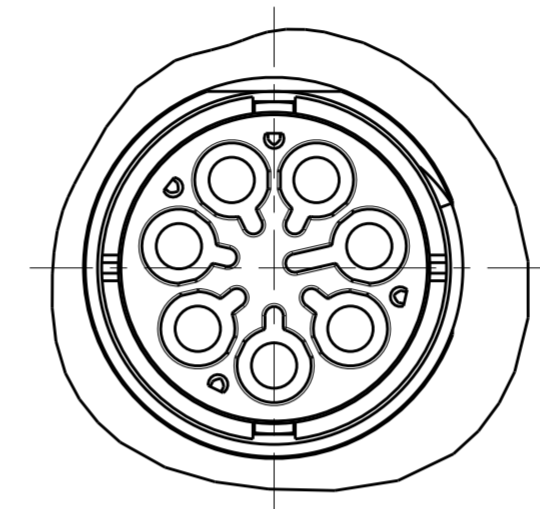
THIS DRAWING IS A CONTROLLED DOCUMENT.		DWN J. SHAFFER 21 JAN 2014	<b>STE</b> TE Connectivity			
		CHK M. LUKSIC 21 JAN 2014				
		APVD M. LUKSIC 21 JAN 2014	NAME PANEL MOUNT, PIN; SEALED NECTOR M-LINE; 7 POLE			
DIMENSIONS: mm		PRODUCT SPEC 108-133014	SIZE A2	CAGE CODE -	DRAWING NO. C-2213392	RESTRICTED TO -
TOLERANCES UNLESS OTHERWISE SPECIFIED:		APPLICATION SPEC 114-32111	SCALE 2:1	SHEET 1 OF 2	REV A	
MATERIAL NOTE 1		WEIGHT -	Customer Drawing			

THIS DRAWING IS UNPUBLISHED. RELEASED FOR PUBLICATION 20  
 © COPYRIGHT 20 BY - ALL RIGHTS RESERVED.

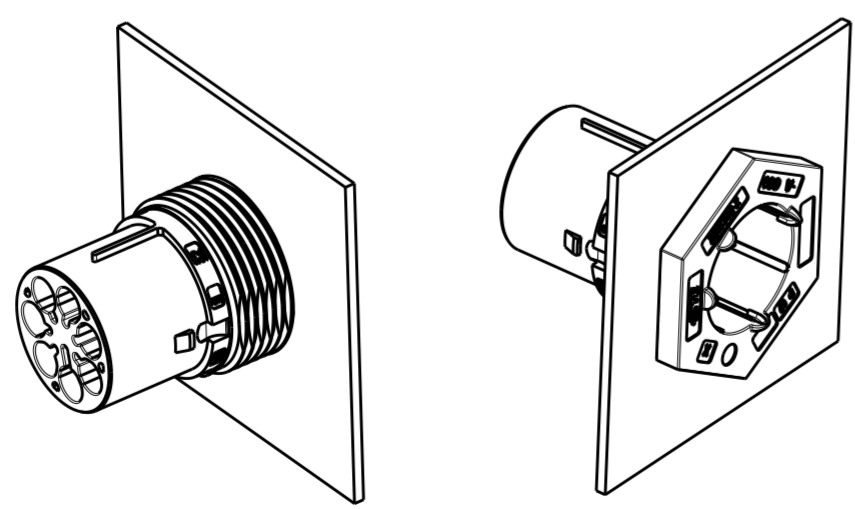
REVISIONS				
P	LTR	DESCRIPTION	DATE	APVD
-		SEE SHEET 1	-	-

### POLARIZATION TYPES


POLARIZATION TYPE "A"	POLARIZATION TYPE "B"	POLARIZATION TYPE "C"
		
PN: 2213392-1	PN: 2213392-2	PN: 2213392-3
POLARIZATION TYPE "D"	POLARIZATION TYPE "E"	
		
PN: 2213392-4	PN: 2213392-5	



RECOMMENDED  
PANEL CUTOUT



3D VIEWS  
FOR REFERENCE ONLY

THIS DRAWING IS A CONTROLLED DOCUMENT.		DWN J. SHAEFFER 21 JAN 2014	 TE Connectivity	
DIMENSIONS: mm		CHK M. LUKSIC 21 JAN 2014		
TOLERANCES UNLESS OTHERWISE SPECIFIED:		APVD M. LUKSIC 21 JAN 2014	NAME PANEL MOUNT, PIN; SEALED NECTOR M-LINE; 7 POLE	
0 PLC ±	1 PLC ±0.2	PRODUCT SPEC 108-133014	SIZE A2	CAGE CODE -
2 PLC ±0.13	3 PLC ±	APPLICATION SPEC 114-32111	DRAWING NO G-2213392	RESTRICTED TO -
4 PLC ±	ANGLES ±	WEIGHT -	SCALE 2:1	SHEET 2 OF 2
MATERIAL NOTE 1	FINISH -	Customer Drawing	REV A	