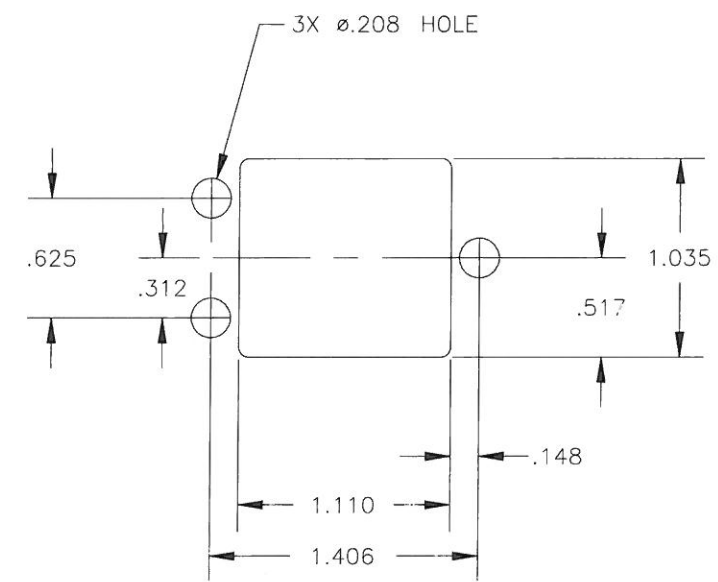
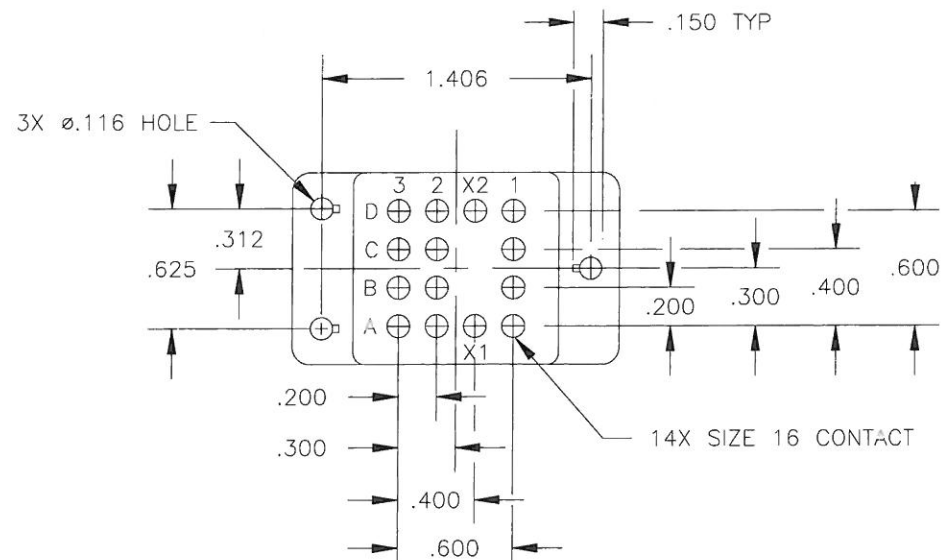


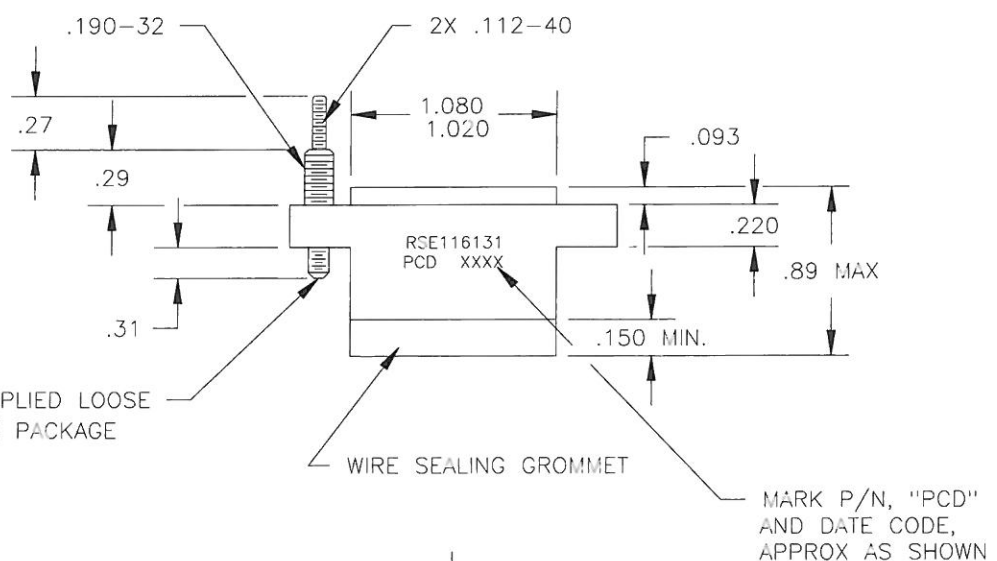
RSE116131

BILL OF MATERIAL			
ITEM	P/N	DESCRIPTION	QTY
1	200007901	MTG STUD LONG PASSIVATED	3
2	200003801	HEX NUT SLF LKG #4-40 CAD PLATE	6
3	200002501	HEX NUT SLF LKG 10-32 CAD PLATE	3
4	200000401	FLAT WASHER #4 CAD PLATE	6
5	200002951	FLAT WASHER #10 CAD PLATE	3
N/A	CNS126900	M39029/92-533 CONTACT SZ16/16	14
N/A	005111400	3.5"DRAM UNCAPPED VIAL/CAP	1

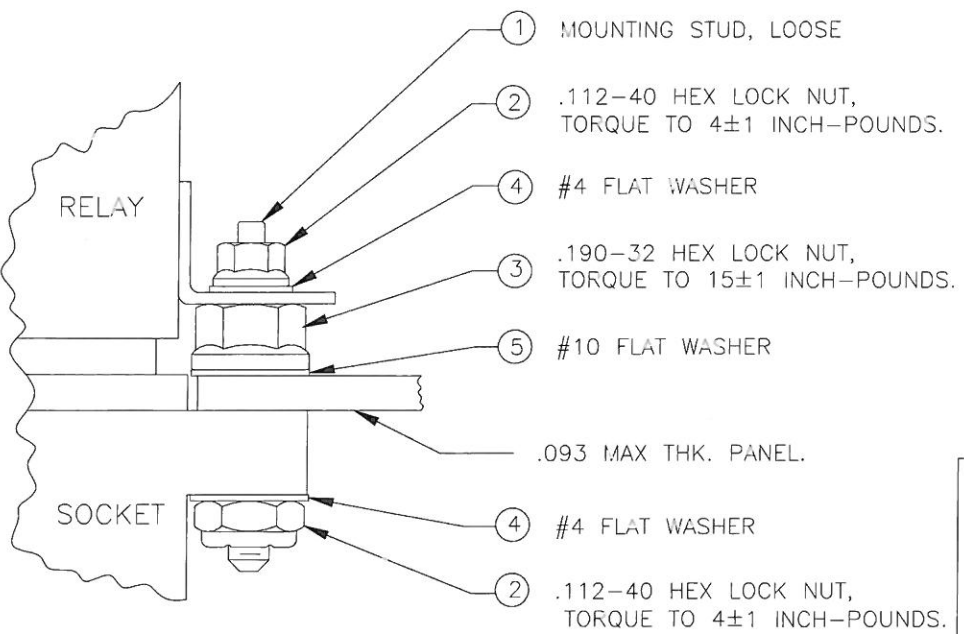
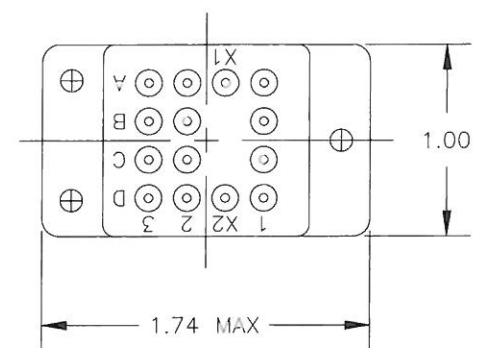
REV	ECN	DESCRIPTION	APP'D
P	2215	INTERNAL CHANGE	
Q	5430	ADD BILL OF MATERIAL	JT 8/27/04
R	6543	CORRECT HARDWARE PACKAGE	JT 6/21/10



RECOMMENDED MOUNTING PANEL HOLE



3X STUD SUPPLIED LOOSE IN HARDWARE PACKAGE



MOUNTING HARDWARE
INSTALLATION SEQUENCE BY ITEM NUMBER
TYP 3 PLACES

- NOTES:
- CONFORMS TO PERFORMANCE REQUIREMENTS OF MIL-S-12883.
 - MATERIALS:
 - A. HOUSING - POLYETHERIMIDE, COLOR: GREEN.
 - B. GROMMET - SILICONE ELASTOMER, COLOR: RED.
 - SOCKET CONTACTS CONFORM TO PERFORMANCE REQUIREMENTS OF MIL-C-39029, GOLD OVER NICKEL PLATE.
 - COMPLETE MOUNTING HARDWARE SUPPLIED, P/N 450003100
 - SOCKET CONTACTS SUPPLIED: (14) SZ 16/16, P/N CNS126900.
 - OPERATING TEMPERATURE: +125°C/-65°C CONTINUOUS.
 - CONTACT INSTALLATION TOOLS:
 - CRIMP TOOL: M22520/1-01
 - POSITIONER: M22520/1-02
 - INSERTION/REMOVAL: M81969/14-03.

DIMENSIONS ANSI Y14.5M UNITS: INCHES ACAD FILE	PROJECTION	SPECIFICATION DRAWING		TITLE	
		ENGR A. PATRIE 8/13/97	pcd	RELAY SOCKET 4 POLE, 10 AMP 14 POS, SZ 16	
ORIGINAL	THIS DOCUMENT CONTAINS PROPRIETARY INFORMATION WHICH IS THE CONFIDENTIAL PROPERTY OF PCD, INC. PEABODY, MA, USA	CHKD <i>M. [Signature]</i> 6/21/2010	SIZE B	DWG NO. RSE116131	REV R
		APP'D <i>J. [Signature]</i> 6/21/10	CODE: 58982	SCALE: 1X	SHEET 1 OF 1

RSE116131

RSE116131