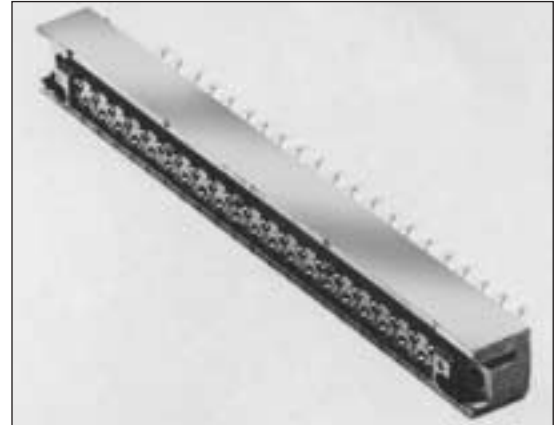


Series 7024 – 0.100" Staggered Dual Row

FEATURES

- Conforms to MIL-C-21097 Qualified Products List (QPL)
- Guide sockets facilitate mating, ensure correct alignment
- Open-ended card slot; use with p.c. card of any width
- Wide range of contact terminations
- Many sizes available
- For 1/16" or 3/32" p.c. card
- Mates with Series 7023 Plug



TECHNICAL SPECIFICATIONS

Current Rating:
10 amperes

Contact Resistance:
6 milliohms, maximum

Contact Material and Plating:
Phosphor Bronze per QQ-B-750, Composition A.

Gold, 10 microinches minimum, over nickel, 30 to 100 microinches

Insulator Material:
Diallyl phthalate, glass-filled, flame resistant, per MIL-M-14F, Type SDGF.

Insulation Resistance:
25,000 megohms, minimum

Dielectric Withstanding Voltage:
Sea Level: 1800 Volts rms
3.4" Hg: 675 Volts rms

Insertion/Withdrawal Force:
2 to 16 ounces per contact

Conforms to Military Specifications:
MIL-C-21097, MIL-E-5400, MIL-E-8189, MIL-T-21200, MIL-E-19600 (Para. 3.5.5), MIL-STD-454.

ORDERING CODE

00

7024

023

163

001

Number of Contacts
017, 023, 029, 035, 041

Contact Code
See table.

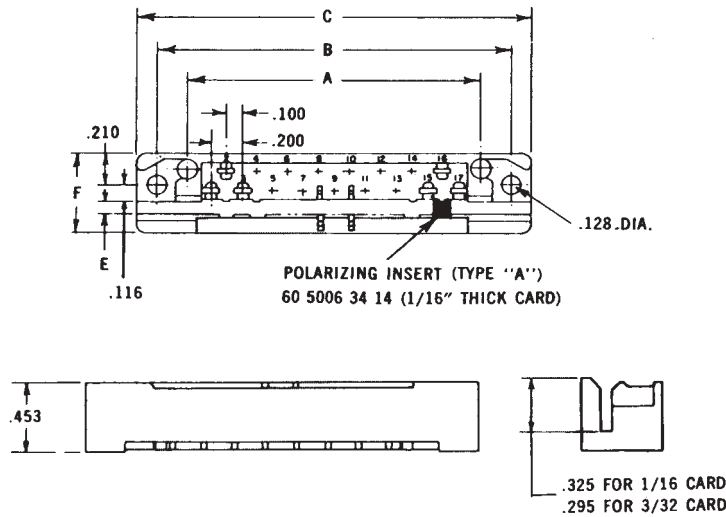
Variation Code
001 = 1/16" Thick Card
002 = 3/32" Thick Card
110* = 1/16" Thick Card
111* = 3/32" Thick Card

* For Conformance to MIL-C-21097B

| | |
|--|--|
| 141 = 60 7001 06 33 P.C. Termination for 1/8" Card | |
| 146 = 60 7001 13 13 .078" Base Taper Tab | |
| 156 = 60 7001 18 13 Wire wrapping (.026 x .062 x .600") | |
| 163 = 60 7001 19 13 .098" Base Taper Tab w/Wire Hole | |
| 165 = 60 7001 20 13 Forked Tail Solder Termination for Bus Line Connection (.056 x .125" Slot) | |
| 166 = 60 7001 20 23 Dual Solder Termination for 2 Wires or Bus Line (.056 x .125" Slot) | |
| 189 = 60 7004 02 13 Conventional Solder Termination for 3 Wires | |

| Connector Description | Availability | | | | |
|-----------------------|-----------------|----|----|----|----|
| | No. of Contacts | | | | |
| | 17 | 23 | 29 | 35 | 41 |
| For 1/16" Card | X | X | X | X | X |
| For 3/32" Card | X | X | X | X | X |

Series 7024 – 0.100" Staggered Dual Row



DIMENSIONS:

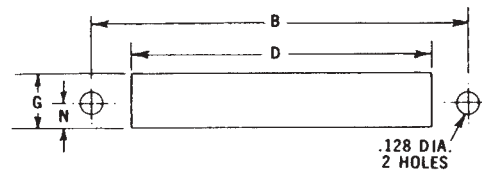
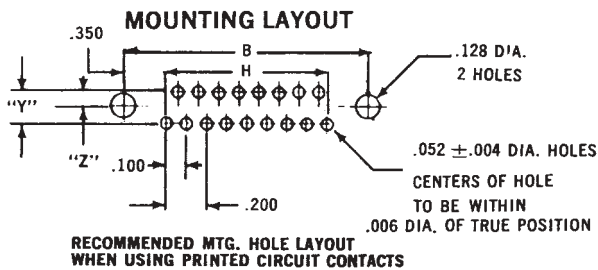
millimeters (inches)

| Number of Contacts | A | B | C Max. | D | E $\pm .003$ / $\pm .002$ | | F | G†† | | H | N†† | |
|--------------------|---------------|---------------|---------------|---------------|---------------------------|--------------|--------|--------------|--------------|---------------|--------------|--------------|
| | | | | | 1/16" Card | 3/32" Card | | Con. | N-Con. | | Con. | N-Con. |
| 17 | 1.900 (0.075) | 2.300 (0.091) | 2.570 (0.101) | 1.185 (0.072) | .074 (0.003) | .105 (0.004) | 17/32" | .468 (0.018) | .343 (0.014) | 1.600 (0.063) | .208 (0.008) | .146 (0.006) |
| 23 | 2.500 (0.098) | 2.900 (0.114) | 3.170 (0.125) | 2.435 (0.096) | .074 (0.003) | .105 (0.004) | 17/32" | .468 (0.018) | .343 (0.014) | 2.200 (0.087) | .208 (0.008) | .146 (0.006) |
| 29 | 3.100 (0.122) | 3.500 (0.138) | 3.770 (0.148) | 3.035 (0.119) | .074 (0.003) | .105 (0.004) | 17/32" | .468 (0.018) | .343 (0.014) | 2.800 (0.110) | .208 (0.008) | .146 (0.006) |
| 35 | 3.700 (0.146) | 4.100 (0.161) | 4.370 (0.172) | 3.635 (0.143) | .074 (0.003) | .105 (0.004) | 17/32" | .468 (0.018) | .343 (0.014) | 3.400 (0.134) | .208 (0.008) | .146 (0.006) |
| 41 | 4.300 (0.169) | 4.700 (0.185) | 4.970 (0.196) | 4.235 (0.167) | .074 (0.003) | .105 (0.004) | 17/32" | .468 (0.018) | .343 (0.014) | 4.000 (0.157) | .208 (0.008) | .146 (0.006) |

†† N-CON = Non-Conductive Chassis
(1/16" Clearance Around Contacts)

CON = Conductive Chassis
(1/8" Clearance Around Contacts)

MOUNTING LAYOUT



STANDARD CENTERS WHEN "Y" = .125; "Z" = .088

SPECIAL CENTERS WHEN "Y" = .150; "Z" = .100