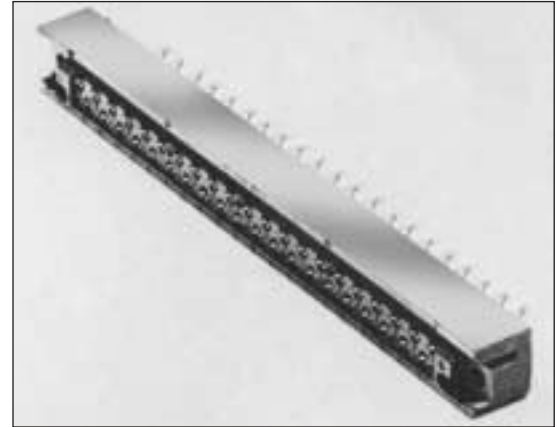


## Series 7024 – 0.100" Staggered Dual Row

### FEATURES

- Conforms to MIL-C-21097 Qualified Products List (QPL)
- Guide sockets facilitate mating, ensure correct alignment
- Open-ended card slot; use with p.c. card of any width
- Wide range of contact terminations
- Many sizes available
- For 1/16" or 3/32" p.c. card
- Mates with Series 7023 Plug



### TECHNICAL SPECIFICATIONS

**Current Rating:**  
10 amperes

**Contact Resistance:**  
6 milliohms, maximum

**Contact Material and Plating:**  
Phosphor Bronze per QQ-B-750, Composition A.

Gold, 10 microinches minimum, over nickel, 30 to 100 microinches

**Insulator Material:**  
Diallyl phthalate, glass-filled, flame resistant, per MIL-M-14F, Type SDGF.

**Insulation Resistance:**  
25,000 megohms, minimum

**Dielectric Withstanding Voltage:**  
Sea Level: 1800 Volts rms  
3.4" Hg: 675 Volts rms

**Insertion/Withdrawal Force:**  
2 to 16 ounces per contact

**Conforms to Military Specifications:**  
MIL-C-21097, MIL-E-5400, MIL-E-8189, MIL-T-21200, MIL-E-19600 (Para. 3.5.5), MIL-STD-454.

### ORDERING CODE

**00**

**7024**

**023**

**Number of Contacts**  
017, 023, 029, 035, 041

**163**

**Contact Code**  
See table.

**001**

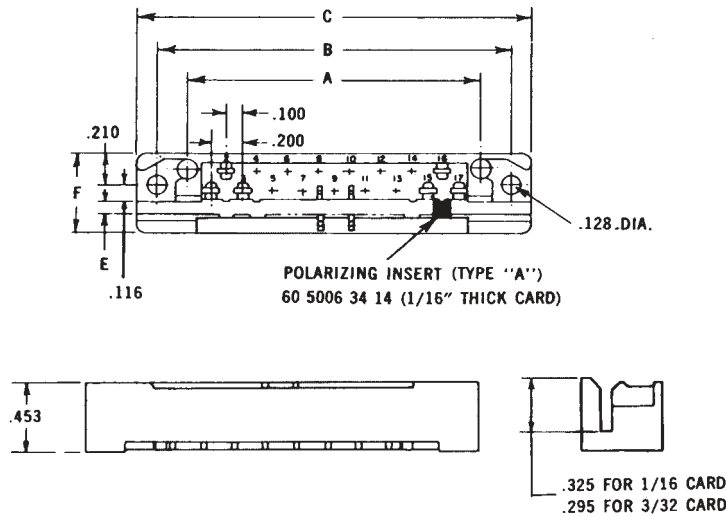
**Variation Code**  
001 = 1/16" Thick Card  
002 = 3/32" Thick Card  
110\* = 1/16" Thick Card  
111\* = 3/32" Thick Card

\* For Conformance to MIL-C-21097B

141 = 60 7001 06 33 P.C. Termination for 1/8" Card	
146 = 60 7001 13 13 .078" Base Taper Tab	
156 = 60 7001 18 13 Wire wrapping (.026 x .062 x .600")	
163 = 60 7001 19 13 .098" Base Taper Tab w/Wire Hole	
165 = 60 7001 20 13 Forked Tail Solder Termination for Bus Line Connection (.056 x .125" Slot)	
166 = 60 7001 20 23 Dual Solder Termination for 2 Wires or Bus Line (.056 x .125" Slot)	
189 = 60 7004 02 13 Conventional Solder Termination for 3 Wires	

Connector Description	Availability				
	No. of Contacts				
	17	23	29	35	41
For 1/16" Card	X	X	X	X	X
For 3/32" Card	X	X	X	X	X

## Series 7024 – 0.100" Staggered Dual Row



### DIMENSIONS:

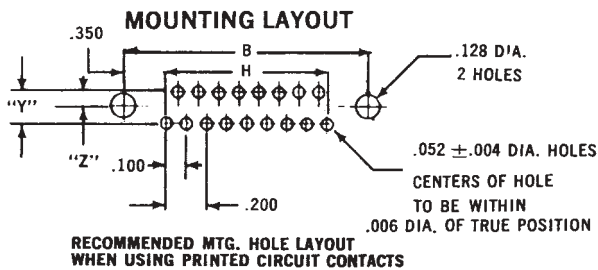
millimeters (inches)

Number of Contacts	A	B	C Max.	D	E $\pm .003$ / $\pm .002$		F	G††		H	N††	
					1/16" Card	3/32" Card		Con.	N-Con.		Con.	N-Con.
					17	1.900 (0.075)		2.300 (0.091)	2.570 (0.101)		1.185 (0.072)	.074 (0.003)
23	2.500 (0.098)	2.900 (0.114)	3.170 (0.125)	2.435 (0.096)	.074 (0.003)	.105 (0.004)	17/32"	.468 (0.018)	.343 (0.014)	2.200 (0.087)	.208 (0.008)	.146 (0.006)
29	3.100 (0.122)	3.500 (0.138)	3.770 (0.148)	3.035 (0.119)	.074 (0.003)	.105 (0.004)	17/32"	.468 (0.018)	.343 (0.014)	2.800 (0.110)	.208 (0.008)	.146 (0.006)
35	3.700 (0.146)	4.100 (0.161)	4.370 (0.172)	3.635 (0.143)	.074 (0.003)	.105 (0.004)	17/32"	.468 (0.018)	.343 (0.014)	3.400 (0.134)	.208 (0.008)	.146 (0.006)
41	4.300 (0.169)	4.700 (0.185)	4.970 (0.196)	4.235 (0.167)	.074 (0.003)	.105 (0.004)	17/32"	.468 (0.018)	.343 (0.014)	4.000 (0.157)	.208 (0.008)	.146 (0.006)

†† N-CON = Non-Conductive Chassis  
(1/16" Clearance Around Contacts)

CON = Conductive Chassis  
(1/8" Clearance Around Contacts)

### MOUNTING LAYOUT



STANDARD CENTERS WHEN "Y" = .125; "Z" = .088

SPECIAL CENTERS WHEN "Y" = .150; "Z" = .100

