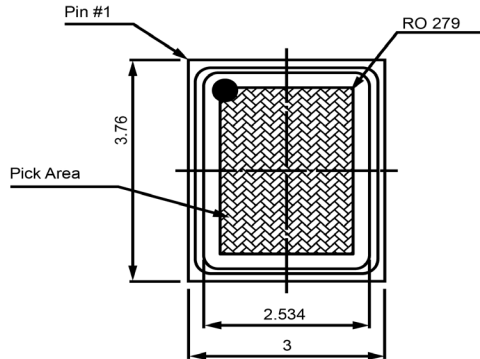
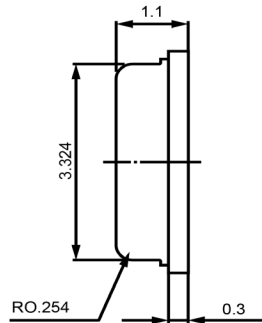


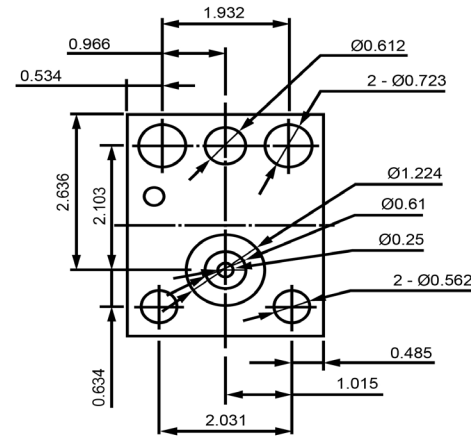
TOP VIEW



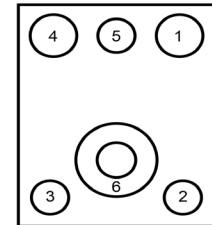
SIDE VIEW



BOTTOM VIEW (1)



BOTTOM VIEW (2)



Specifications

Description	Value	Unit
Directivity	Omnidirectional	
Technology	MEMS	
Sensitivity	-38	(dB)
Frequency Range	70 ~ 16,000	(Hz)
Rated Voltage	2.0	(V)
Output Impedance	300	(Ohm)
Connection Method	Surface Mount Pads	
Voltage Range	1.5 ~ 3.6	(V)
Max Rated Current	0.16	(mA)
Min. Signal to Noise Ratio	62	(dB)
Total Harmonic Distortion @ 100dB	1	%
Total Harmonic Distortion @ 115dB	10	%

Notes

- 1) All dimensions are in mm unless otherwise noted
- 2) All parts meet RoHS



Revision History

Version	Description	Date	Approved		
1	Released from Engineering	2/10/2014	J.S.		
Drawn by	Date	Checked by	Date	Approved by	Date
G.W.	2/1/2014	C.E.	2/2/2014	J.S.	2/10/2014

Analog MEMS Microphone

MM033802-1