

THIS DRAWING IS UNPUBLISHED.

RELEASED FOR PUBLICATION

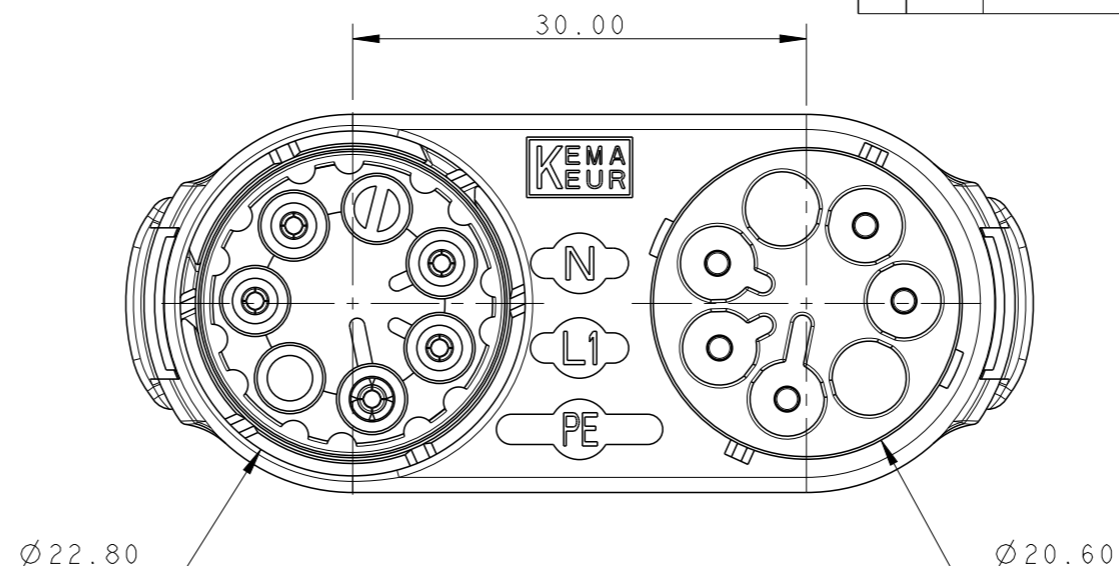
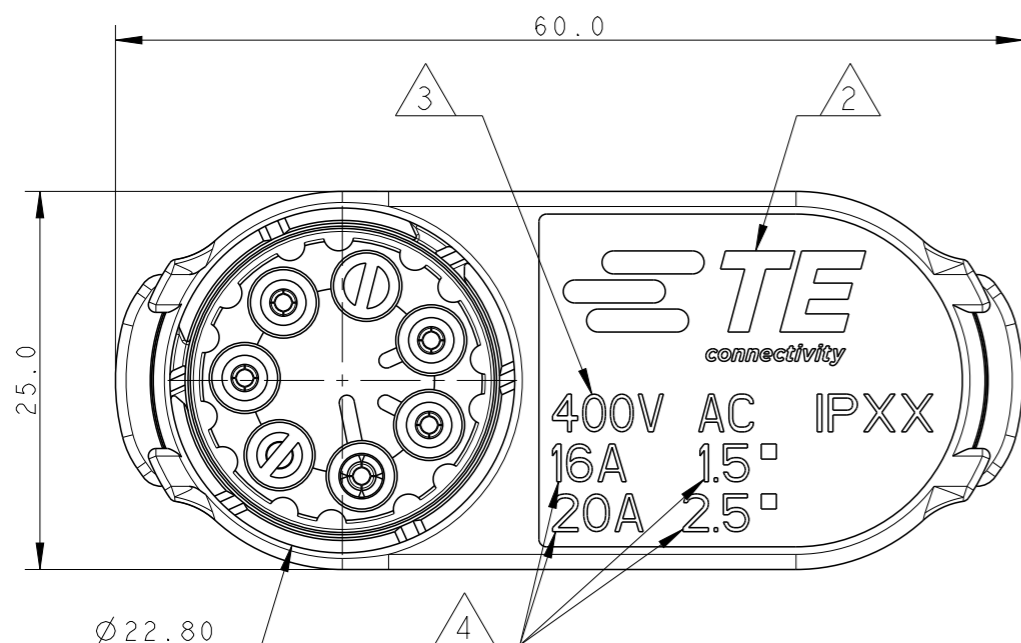
2013

© COPYRIGHT 2013 BY -

ALL RIGHTS RESERVED.

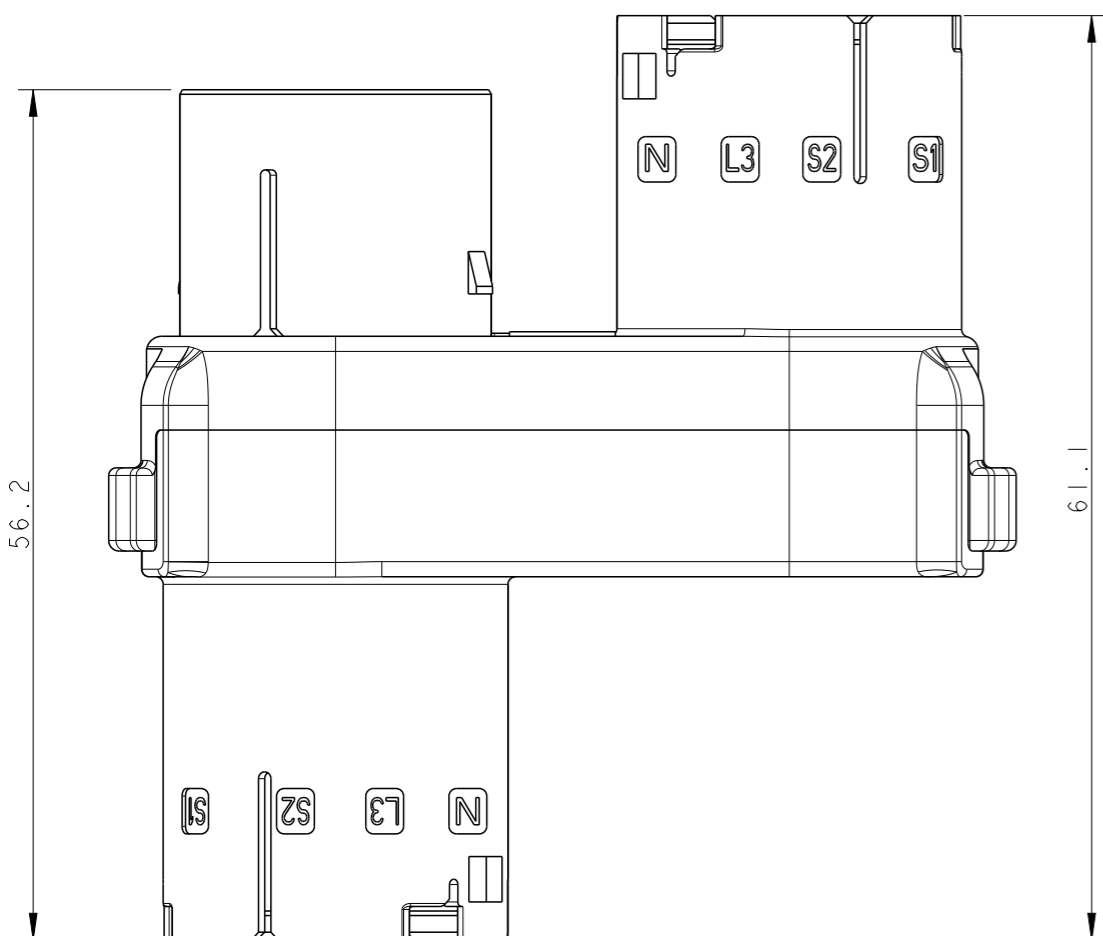
REVISIONS

P	LTR	DESCRIPTION	DATE	DWN	APVD
	I	FIRST ISSUE	08MAY2013	MZ	JC
	A	PARTS RELEASED FOR PRODUCTION	21NOV2013	KR	JC
	B	REVISED PER ECR-15-007925	05OCT2015	RS	JL



NOTES:

- 1) FOR ALL POLARISATION KEYS SEE TABLE ON SHEET 2 OF 2
- 2) TE LOGO
- 3) RATED VOLTAGE
- 4) RATED CURRENT AND CABLE SIZE
- 5) PARTS UNDER APPROVAL ACCORDING TO IEC 61535. PARTS TO BE TESTED ACCORDING TO INTERNAL TE ENDURANCE TESTS PROCEDURE
- 6) PARTS RELEASED FOR PRODUCTION WITH THE EXCEPTION OF FACE SEAL COMPONENTS WHICH ARE NOT YET RELEASED AND CURRENTLY UNDER TESTING



COLOUR	POL. KEYING	DESCRIPTION	PART NUMBER	REV.
BLACK	E	T-SPLITTER 5 POS CONN. SEALED NECTOR M-LINE	1879999-5	B
BLACK	D	T-SPLITTER 5 POS CONN. SEALED NECTOR M-LINE	1879999-4	B
BLACK	C	T-SPLITTER 5 POS CONN. SEALED NECTOR M-LINE	1879999-3	B
BLACK	B	T-SPLITTER 5 POS CONN. SEALED NECTOR M-LINE	1879999-2	B
BLACK	A	T-SPLITTER 5 POS CONN. SEALED NECTOR M-LINE	1879999-1	B

THIS DRAWING IS A CONTROLLED DOCUMENT.

DIMENSIONS: mm



MATERIAL

TOLERANCES UNLESS OTHERWISE SPECIFIED:

0 PLC	±
1 PLC	±0.3
2 PLC	±0.20
3 PLC	±
4 PLC	±
ANGLES	±3°
FINISH	-

DWN 08MAY2013

M. ZUCCA

CHK 08MAY2013

M. ZUCCA

APVD 08MAY2013

J. CATCHPOLE

PRODUCT SPEC

APPLICATION SPEC

WEIGHT

NAME  
NECTOR M-LINE 5 POLES  
T-SPLITTER CONNECTOR  
SEALED VERSION

SIZE A3 CAGE CODE - DRAWING NO. C-1879999 RESTRICTED TO -

Customer Drawing SCALE 2:1 SHEET 1 OF 3 REV B



REVISIONS

P	LTR	DESCRIPTION	DATE	DWN	APVD
-	-	SEE SHEET 1	-	-	-

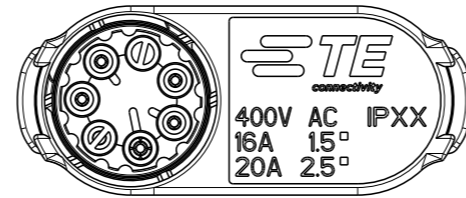
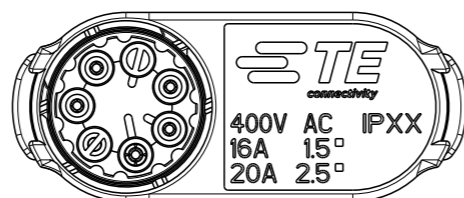
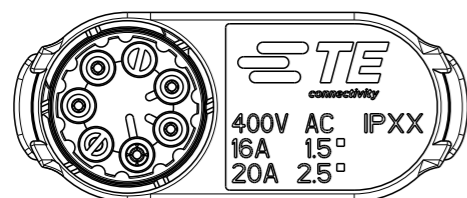
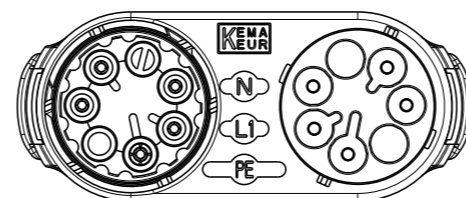
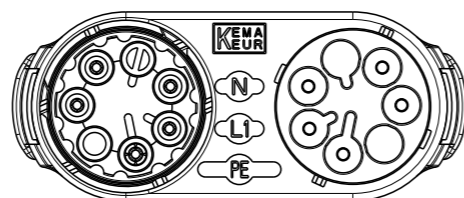
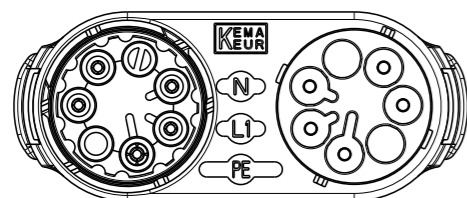
POLARISATION KEYS

SCALE 1:1

TYPE "A-A"

TYPE "B-B"

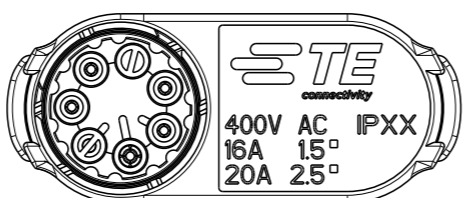
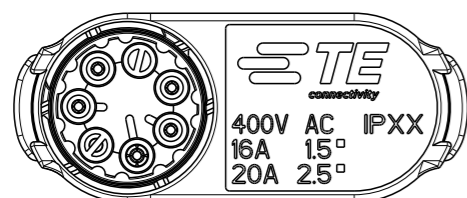
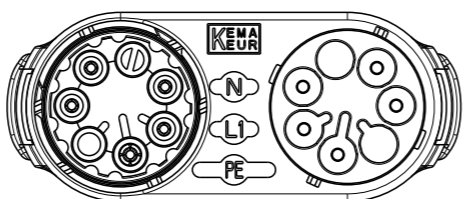
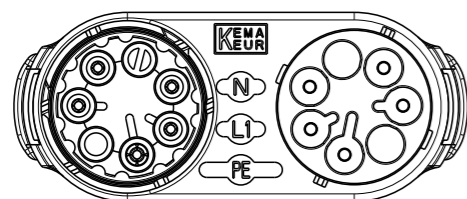
TYPE "C-C"



P/N 1879999-1  
TYPE "D-D"

P/N 1879999-2  
TYPE "E-E"

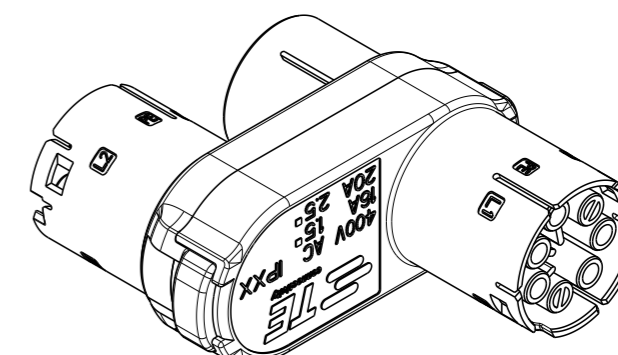
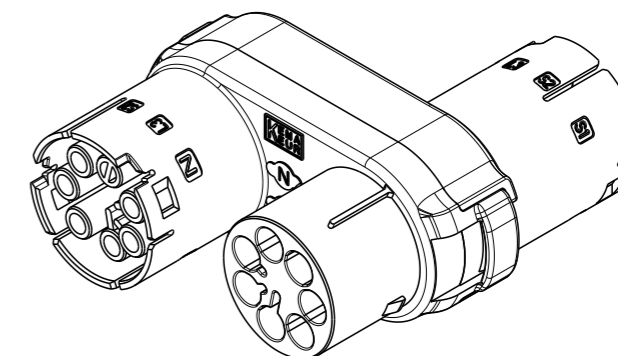
P/N 1879999-3



P/N 1879999-4

P/N 1879999-5

3D VIEWS.  
FOR REFERENCE ONLY



SCALE 1:1

THIS DRAWING IS A CONTROLLED DOCUMENT.

DIMENSIONS: mm		TOLERANCES UNLESS OTHERWISE SPECIFIED:	
		0 PLC	±
		1 PLC	±0.3
		2 PLC	±0.20
		3 PLC	±
		4 PLC	±
MATERIAL		ANGLES	±3°
-		FINISH	-
-			-

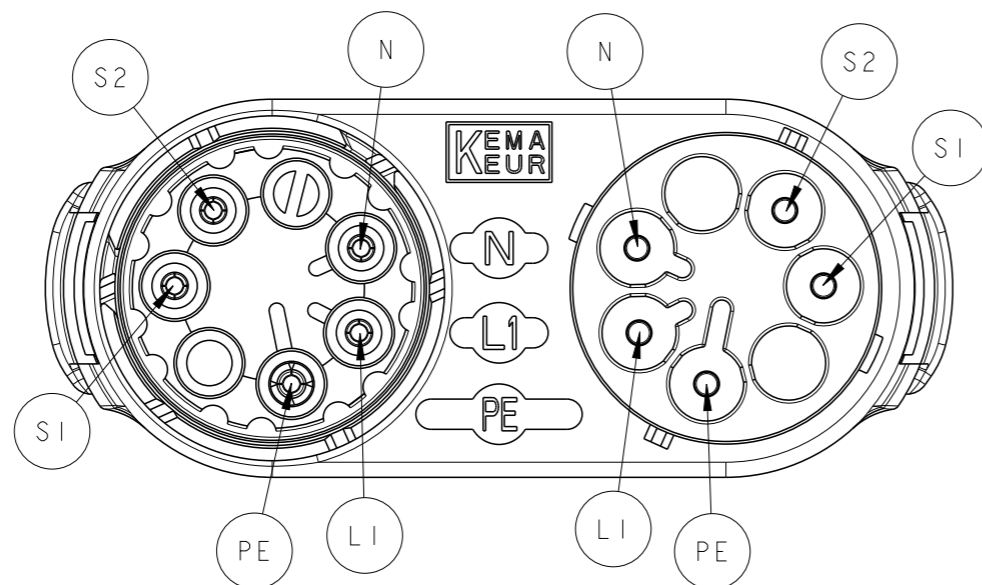
DWN	M. ZUCCA	08MAY2013
CHK	M. ZUCCA	08MAY2013
APVD	J. CATCHPOLE	08MAY2013
PRODUCT SPEC	-	
APPLICATION SPEC	-	
WEIGHT	-	
Customer Drawing		



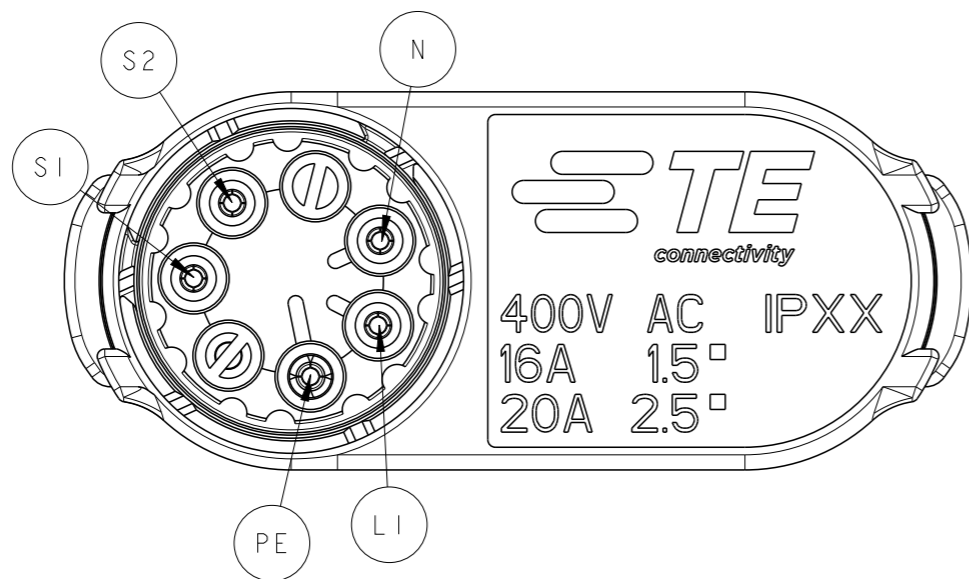
NAME NECTOR M-LINE 5 POLES T-SPLITTER CONNECTOR SEALED VERSION			
SIZE	CAGE CODE	DRAWING NO	RESTRICTED TO
A3	-	C-1879999	-
SCALE 2:1		SHEET 2 OF 3	REV B

REVISIONS

P	LTR	DESCRIPTION	DATE	DWN	APVD
-	-	SEE SHEET 1	-	-	-



ADDITIONAL DETAILS ON  
CAVITY CIRCUIT POSITION.  
FOR INFORMATION ONLY



THIS DRAWING IS A CONTROLLED DOCUMENT.

DIMENSIONS:  
mm



MATERIAL

TOLERANCES UNLESS OTHERWISE SPECIFIED:

- 0 PLC ±°
- 1 PLC ±0.3
- 2 PLC ±0.20
- 3 PLC ±°
- 4 PLC ±°
- ANGLES ±3°

FINISH

DWN M. ZUCCA 08MAY2013

CHK M. ZUCCA 08MAY2013

APVD J. CATCHPOLE 08MAY2013

PRODUCT SPEC

APPLICATION SPEC

WEIGHT

Customer Drawing



TE Connectivity

NAME  
NECTOR M-LINE 5 POLES  
T-SPLITTER CONNECTOR  
SEALED VERSION

SIZE CAGE CODE DRAWING NO RESTRICTED TO

A3 - C-1879999

SCALE 2:1 SHEET 3 OF 3 REV B