

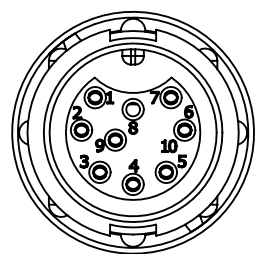
**NOTES:**

1. PARTS ARE TO BE BULK PACKED
2. CRIMP CONTACTS ARE NOT ASSEMBLED INTO CONNECTOR.
3. ALL DIMENSIONS ARE FOR REFERENCE ONLY.

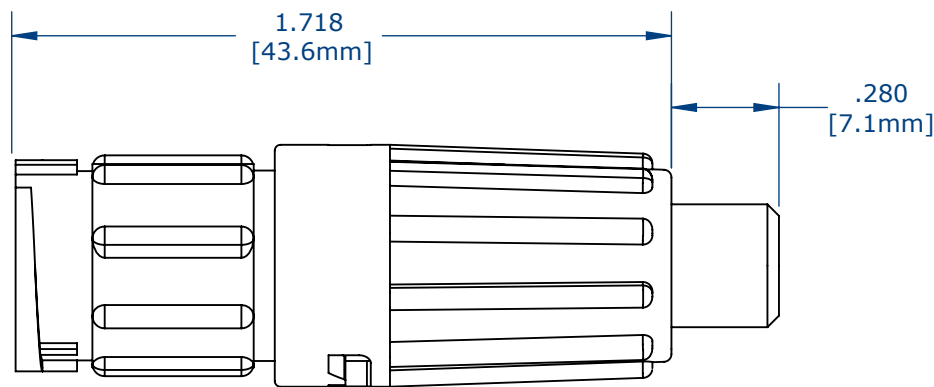
KIT PART NO.	CABLE OD.
X8880-9PG-522	.220-.250 [5.6-6.4mm]
X8880-9PG-528	.265-.285 [6.7-7.2mm]

NO. OF CONTACTS

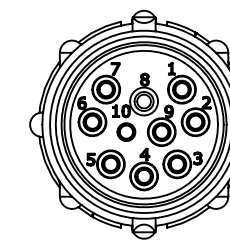
GROMMET SIZES



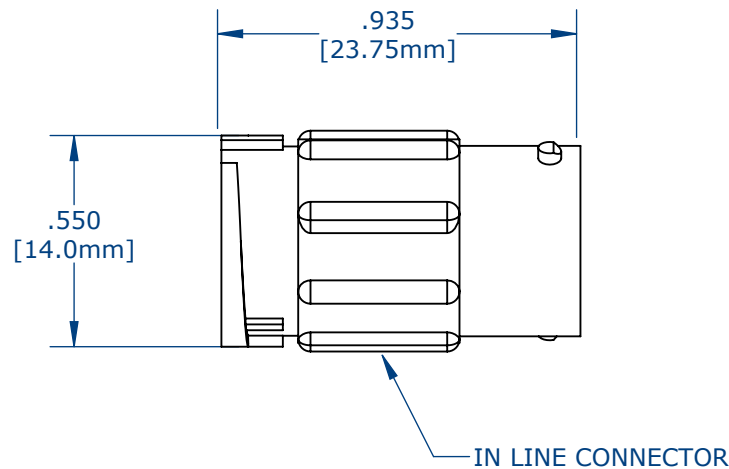
FACE VIEW



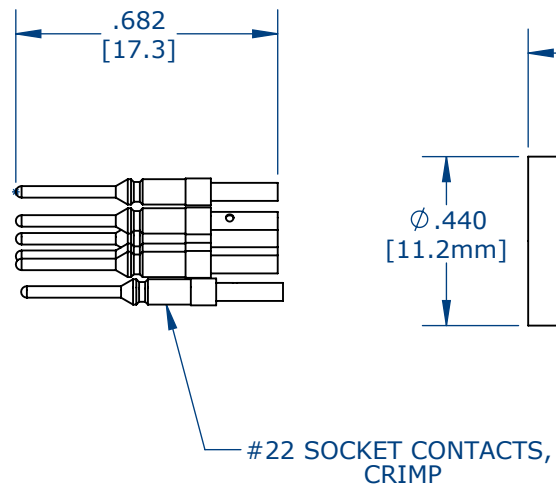
ASSEMBLED KIT VIEW  
W8882-9PG-522 SHOWN



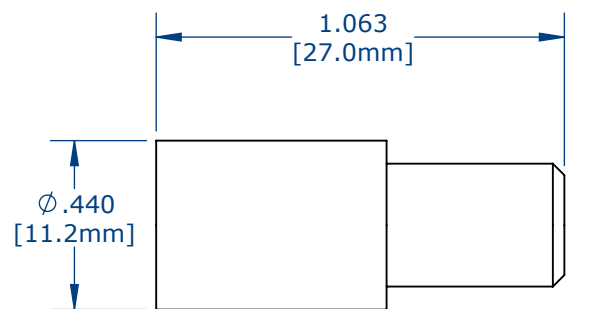
WIRE VIEW



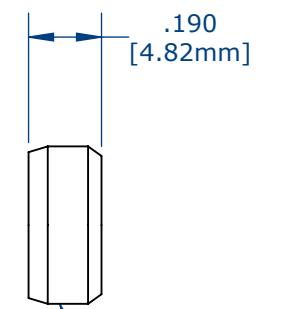
IN LINE CONNECTOR



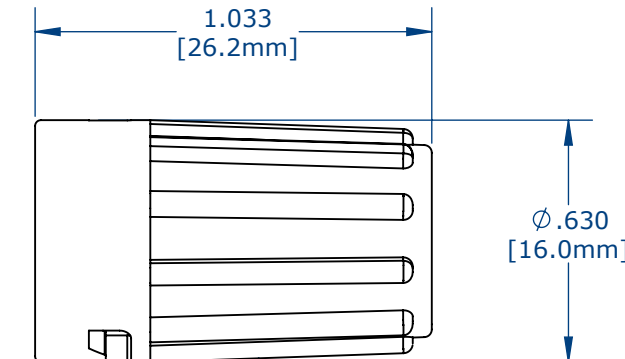
#22 SOCKET CONTACTS, CRIMP



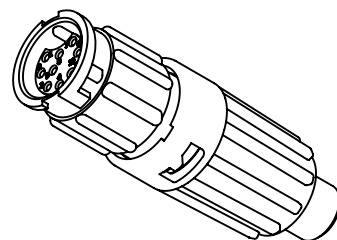
GROMMET, LONG



CABLE GRIP



BACKSHELL, LONG



ASSEMBLED KIT FOR CUSTOMER REFERENCE

CUSTOMER DRAWING

**CUSTOMER APPROVAL**

THIS DOCUMENT CONTAINS CONFIDENTIAL INFORMATION PROPRIETARY TO CONXALL CORPORATION. ANY REPRODUCTION, DISCLOSURE, OR USE OF THIS DOCUMENT /INFORMATION IS EXPRESSLY PROHIBITED UNLESS AUTHORIZED IN WRITING BY CONXALL CORPORATION.

APPROVED BY: \_\_\_\_\_

DATE: \_\_\_\_\_

0A	AM	08/09/16	FIRST DRAWN
REV.	INIT.	DATE	DESCRIPTION
	AM	08/9/16	
<small>ALL INFORMATION ILLUSTRATED IS THE PROPERTY OF "CONXALL CORPORATION." UNAUTHORIZED DUPLICATION OR DISTRIBUTION OF THIS DOCUMENT IS PROHIBITED.</small>			<p>601 E. WILDWOOD VILLA PARK, IL 60181</p>
<small>ALL UNITS ARE IN FEET, INCHES, FRACTION OF INCHES AND DECIMALS.</small>			
<small>UNLESS OTHERWISE SPECIFIED TOLERANCES: 3 PLACE DECIMALS ±.005 ANGLES ±1° FRACTIONS ±1/16</small>			TITLE: IN-LINE CONNECTOR, KIT (9) # 22 PIN CONTACT, CRIMP MINI-CON-X CUSTOMER: STANDARD PRODUCT
SCALE	SIZE	SHEET	PART NUMBER: W8880-9PG-5XX
NTS	B	1 OF 1	REV 0A
FILE:	DIRECTORY:	SLW	