

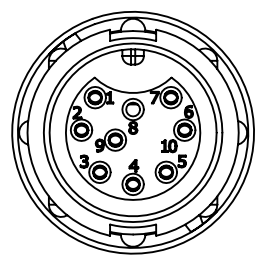
NOTES:

1. PARTS ARE TO BE BULK PACKED
2. CRIMP CONTACTS ARE NOT ASSEMBLED INTO CONNECTOR.
3. ALL DIMENSIONS ARE FOR REFERENCE ONLY.

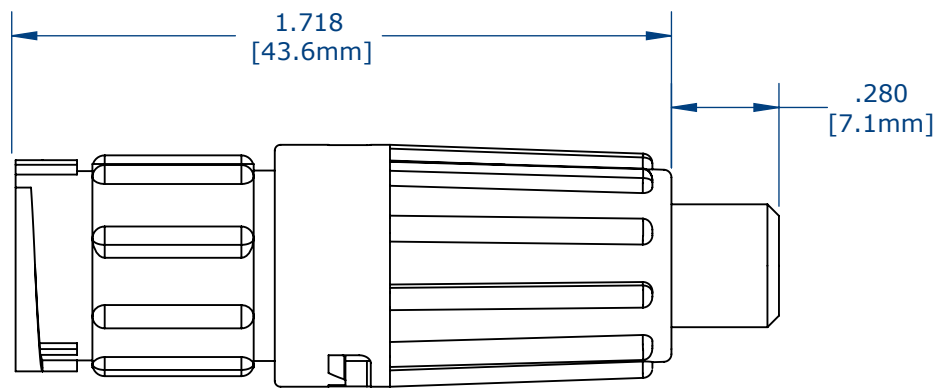
KIT PART NO.	CABLE OD.
X8880-9PG-522	.220-.250 [5.6-6.4mm]
X8880-9PG-528	.265-.285 [6.7-7.2mm]

NO. OF CONTACTS

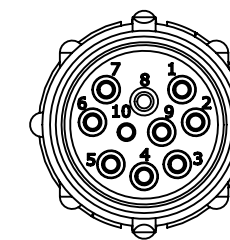
GROMMET SIZES



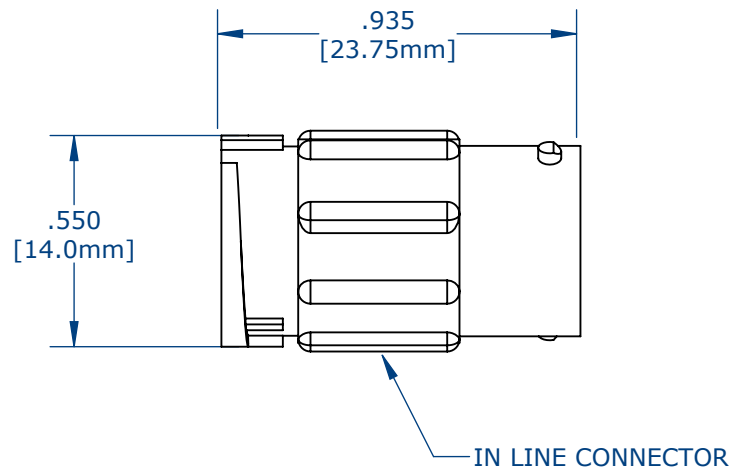
FACE VIEW



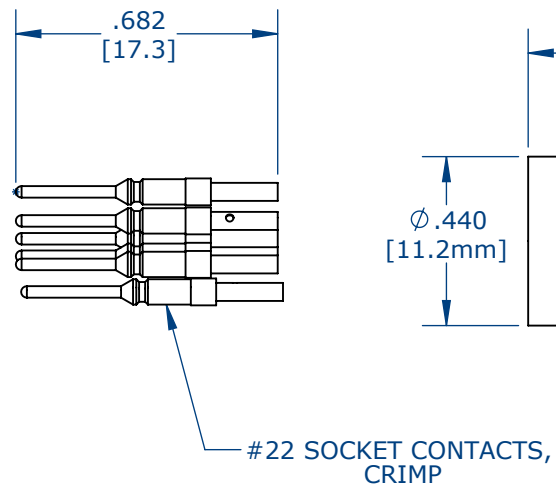
ASSEMBLED KIT VIEW
W8882-9PG-522 SHOWN



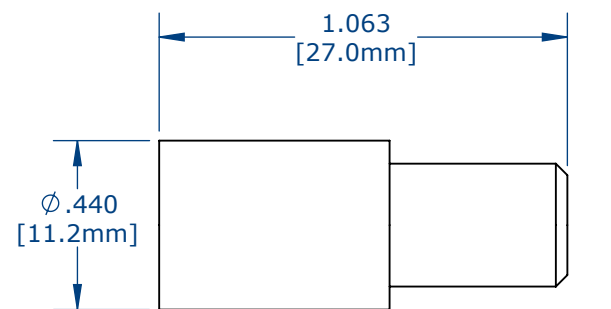
WIRE VIEW



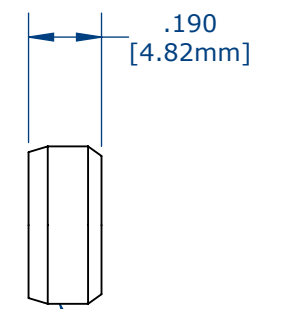
IN LINE CONNECTOR



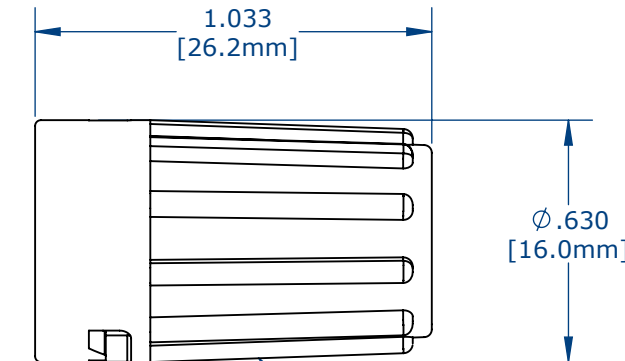
#22 SOCKET CONTACTS, CRIMP



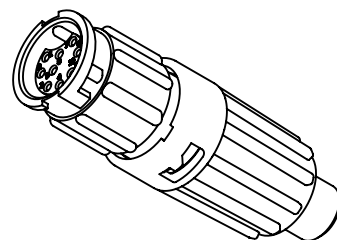
GROMMET, LONG



CABLE GRIP



BACKSHELL, LONG



ASSEMBLED KIT FOR CUSTOMER REFERENCE

CUSTOMER DRAWING

CUSTOMER APPROVAL

THIS DOCUMENT CONTAINS CONFIDENTIAL INFORMATION PROPRIETARY TO CONXALL CORPORATION. ANY REPRODUCTION, DISCLOSURE, OR USE OF THIS DOCUMENT /INFORMATION IS EXPRESSLY PROHIBITED UNLESS AUTHORIZED IN WRITING BY CONXALL CORPORATION.

APPROVED BY: _____

DATE: _____

0A	AM	08/09/16	FIRST DRAWN
REV.	INIT.	DATE	DESCRIPTION
	AM	08/9/16	
<small>ALL INFORMATION ILLUSTRATED IS THE PROPERTY OF "CONXALL CORPORATION." UNAUTHORIZED DUPLICATION OR DISTRIBUTION OF THIS DOCUMENT IS PROHIBITED.</small>			<p>601 E. WILDWOOD VILLA PARK, IL 60181</p>
<small>ALL UNITS ARE IN FEET, INCHES, FRACTION OF INCHES AND DECIMALS.</small>			
<small>UNLESS OTHERWISE SPECIFIED TOLERANCES: 3 PLACE DECIMALS ±.005 ANGLES ±1° FRACTIONS ±1/16</small>			TITLE: IN-LINE CONNECTOR, KIT (9) # 22 PIN CONTACT, CRIMP MINI-CON-X CUSTOMER: STANDARD PRODUCT
FILE:	DIRECTORY:	PART NUMBER:	REV
	SLW	W8880-9PG-5XX	0A