

# EmCORE-i9651

## Intel® Core™ 2 Duo 3.5" Compact Board



### Features

- Support Intel® Socket P Mobile Processors
- Dual Gigabit Ethernet Ports
- Dual Channels 18/24-bit LVDS, and Analog RGB
- Support Dual Independent Displays
- **Extended Operating Temp.: -20 ~ 70°C**

### System

<b>CPU</b>	Intel® Core™ 2 Duo processor, supporting FSB up to 800MHz Intel® Celeron® M processor with 533/667MHz FSB
<b>Memory</b>	1 x 200-pin DDR2 SO-DIMM socket, supporting 533/667MHz SDRAM up to 2GB
<b>Chipset</b>	Intel® GME965 + ICH8M
<b>BIOS</b>	AMI PnP Flash BIOS
<b>Watchdog Timer</b>	1~255 levels reset

### I/O

<b>I/O Chip</b>	Winbond W83627HG
<b>Serial Port</b>	2 x COM ports (1 x RS-232, 1 x RS-232/422/485 selectable)
<b>Parallel Port</b>	SPP/EPP/ECP mode selectable
<b>USB Port</b>	6 x USB 2.0 ports
<b>KB/MS</b>	1 x 6-pin Mini-DIN for keyboard and mouse (PS/2 standard via Y-cable)
<b>Digital I/O</b>	8-bit programmable Digital Input/Output
<b>Expansion Bus</b>	1 x Mini PCI socket

<b>Storage</b>	1 x Ultra ATA, supporting 2 IDE devices 2 x Serial ATA ports with 300MB/s HDD transfer rate 1 x CompactFlash Type II socket 1 x Floppy disk drive, shared with parallel port
----------------	---------------------------------------------------------------------------------------------------------------------------------------------------------------------------------------

<b>Ethernet Chipset</b>	2 x Realtek RTL8111 PCIe GbE controllers
<b>Audio Interface</b>	Realtek ALC888 7.1 Channel HD Audio Codec, Mic-in/Line-in/Line-out

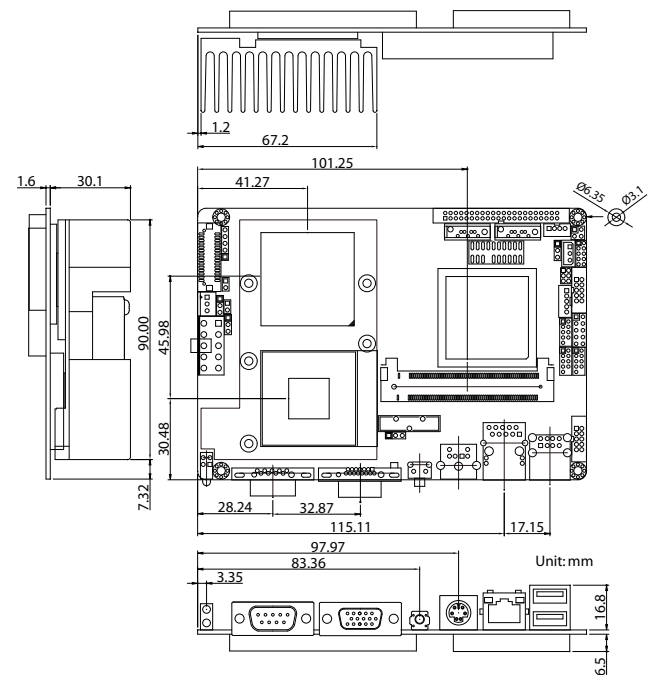
### Display

<b>Graphics Chipset</b>	Integrated Intel® Graphics Media Accelerator X3100 Analog RGB supports resolution up to 2048 x 1536 @60Hz
<b>Graphics Interface</b>	LCD: Dual Channels 24-bit LVDS Support Dual Independent Displays

### Mechanical & Environmental

<b>Power Connector</b>	2 x 5-pin ATX power connector
<b>Power Consumption</b>	0.37A@+12V, 6.66A@+5V, 2.37A@+3.3V (Typical)
<b>Operating Temp.</b>	-20 ~ 70°C (-4 ~ 158°F)
<b>Operating Humidity</b>	10 ~ 95% @ 70°C (non-condensing)
<b>Dimensions (L x W)</b>	146 x 102 mm (5.7" x 4")

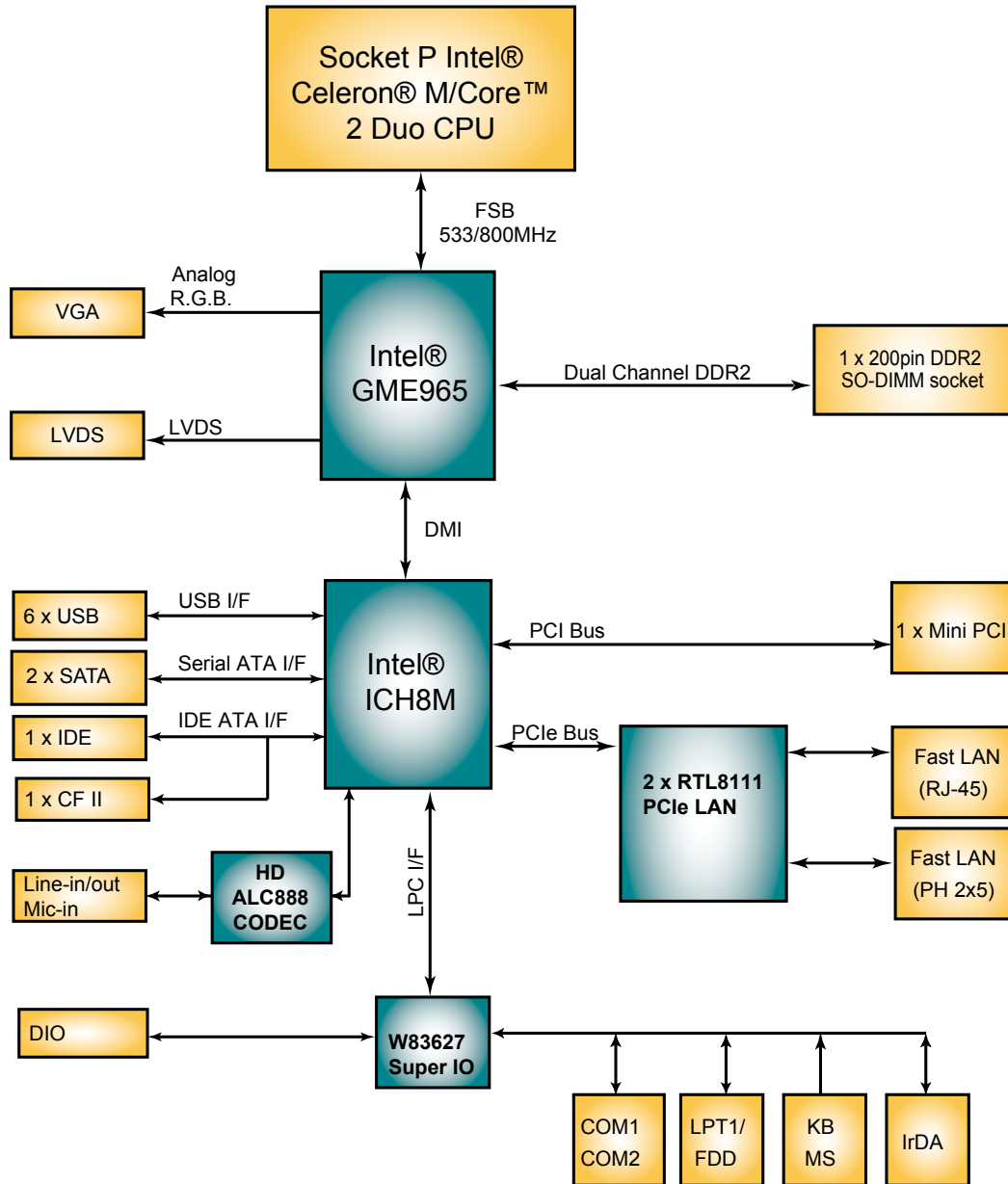
### Dimensions



#### Recommended CPU list:

T7500 2.2GHz Core™ 2 Duo Processor  
550 2.0GHz Celeron® M Processor

## Block Diagram



## Ordering Information

**EmCORE-i9651VL2** Socket P Intel® Core™ 2 Duo/ Celeron® M 3.5" Compact Board

## Optional Accessories

**CBK-09-9651-00**

- Cable kit
- 1 x COM port cable
  - 2 x USB cables
  - 1 x IDE cable
  - 1 x Parallel port cable
  - 2 x SATA cables
  - 1 x audio cable
  - 1 x LPT to FDD cable
  - 1 x Ethernet cable
  - 1 x KB & MS Y-cable