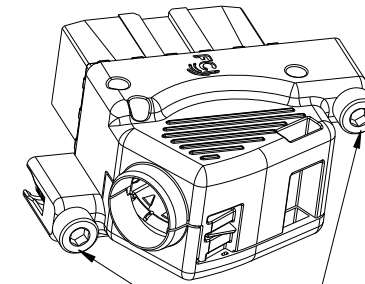
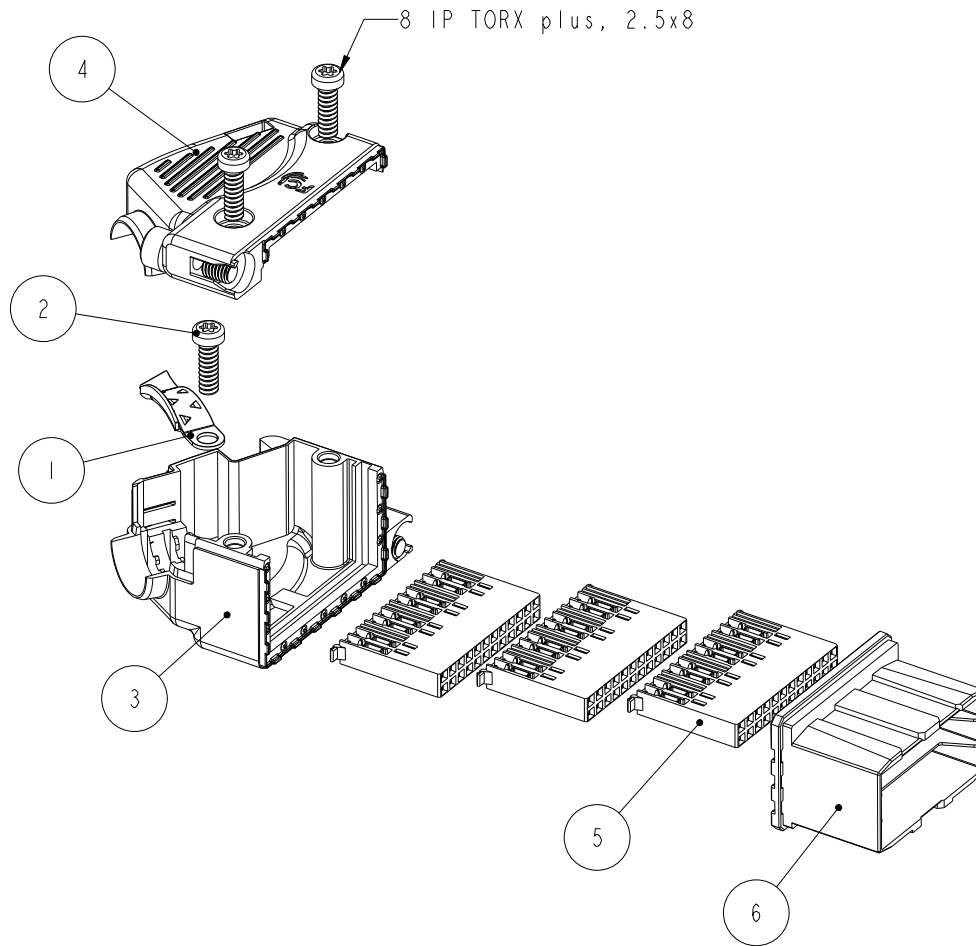


PART NUMBER  
10078794-101LF

# 24 Pair Cable Connector



Hexagon M 2.5 x 3  
(Pre-assembled in cover-parts)

6	SHROUD	1
5	TERMINAL BLOCK ASSEMBLY	3
4	SUB-ASSEMBLY TOP-COVER	1
3	SUB-ASSEMBLY BOTTOM-COVER	1
2	CONNECTOR SELF TAPPING SCREW	3
1	CLAMP	1
INDEX NO.	TITLE I	QTY



Copyright FCI.

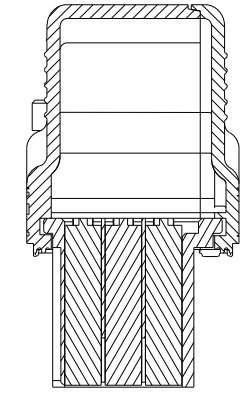
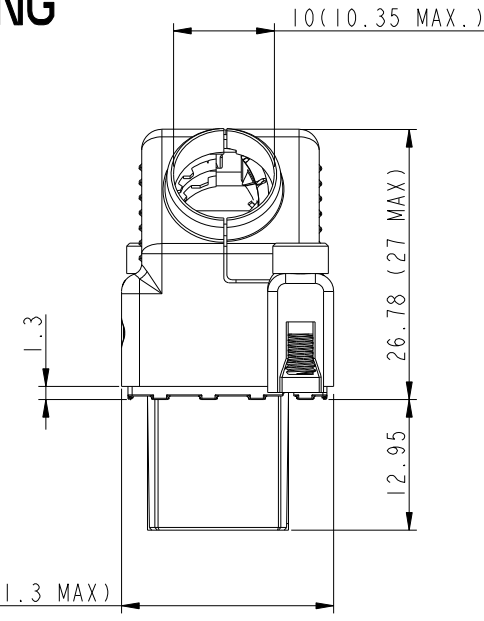
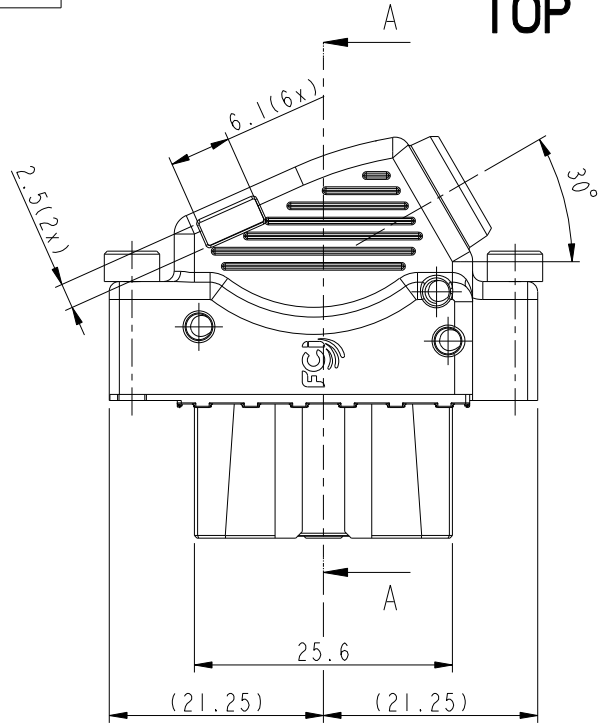
rev	ecn no	dr	date
A	H08-0011	S.M.	2008/02/11
B	H09-0050	PEP	2009/03/26
C	N10-0112	F.PAN	2010/04/22
-	-	-	-
-	-	-	-
-	-	-	-

www.fci.com		surface ISO 1302	tolerance std ISO 406 / ISO 1101	projection mm	
Dr S.MANOCHARAN 2008/02/09		TOLERANCES UNLESS OTHERWISE SPECIFIED		size A3	Scale 1:1
Eng J.de Bruijn 2008/02/11	ANGULAR	0.x	±	ECN N10-0112	
Chr	LINEAR	0.xx	±	Spec ref	
Appr J.de Bruijn 2008/02/11	0° ±°	0.xxx	±	Product family -	
FCI		title ASSEMBLY KIT		dwg no 10078794	Rev. C
		METRAL HDXS 24 PAIR CABLE CONNECTOR		CUSTOMER	sheet 1 of 4
		catalog no			

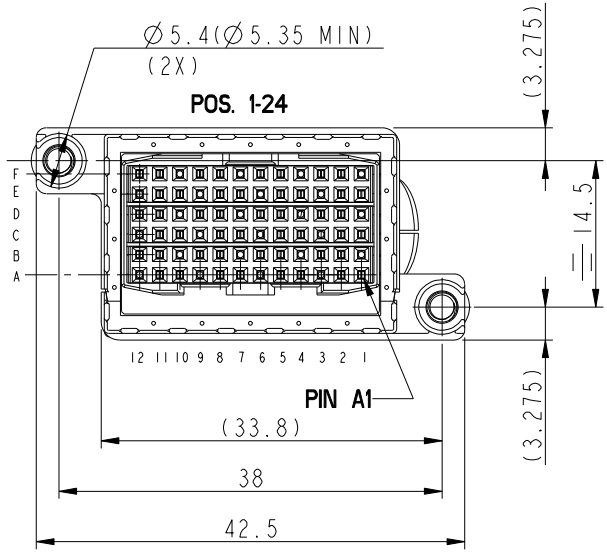
REV F - 2006-04-17

PART NUMBER  
10078794-101LF

# TOP CABLING



SECTION A-A



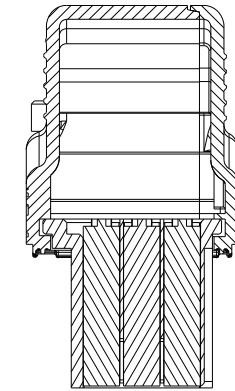
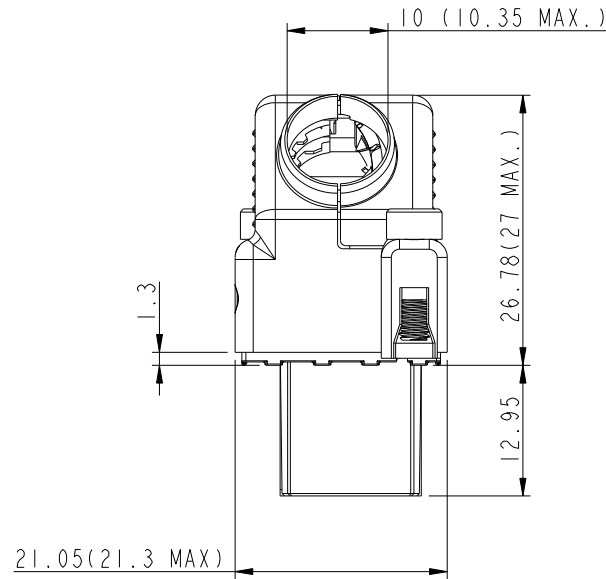
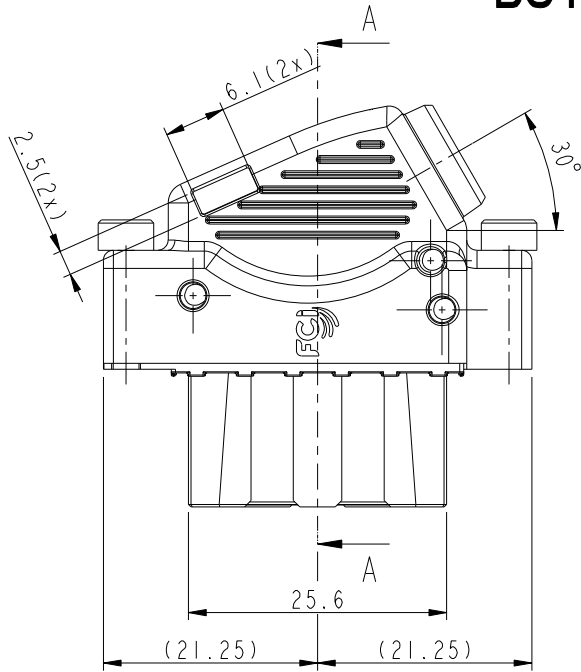
Copyright FCI.

www.fci.com		surface ISO 1302	tolerance std ISO 406 / ISO 1101	projection mm	
		TOLERANCES UNLESS OTHERWISE SPECIFIED			
Dr	S.MANOхарAN	2008/02/09	ANGULAR	0.x ±	size A3
Eng	J.de Bruijn	2008/02/11	LINEAR	0.xx ±	Scale 2:1
Chr			0° ±°	0.xxx ±	ECN N10-0112
Appr	J.de Bruijn	2008/02/11	Product family	-	Spec ref
		title ASSEMBLY KIT		dwg no 10078794	Rev. C
		METRAL HDXS 24 PAIR CABLE CONNECTOR		CUSTOMER	sheet 2 of 4
		catalog no			

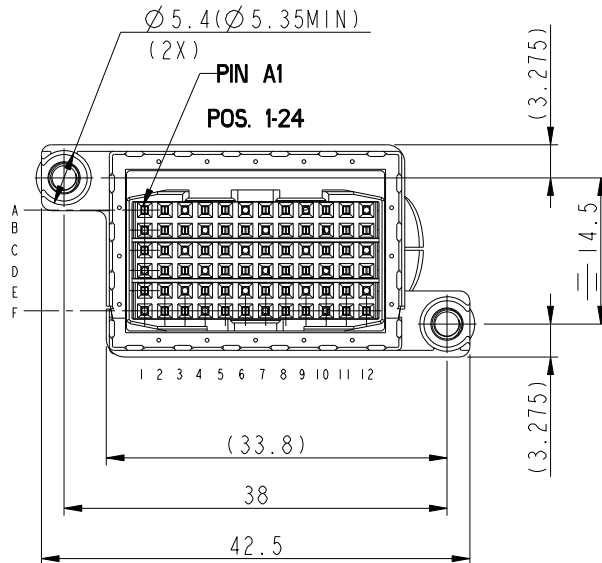
REV F - 2006-04-17

PART NUMBER  
10078794-101LF

# BOTTOM CABLING



SCALE 2:1



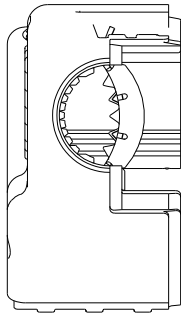
www.fci.com		surface ISO 1302	tolerance std ISO 406 / ISO 1101	projection mm
		TOLERANCES UNLESS OTHERWISE SPECIFIED		
Dr	S.MANOхарAN	2008/02/09	ANGULAR	0.x ±
Eng	J.de Bruijn	2008/02/11	LINEAR	0.xx ±
Chr			0° ±°	0.xxx ±
Appr	J.de Bruijn	2008/02/11	Product family	- Spec ref
		<b>ASSEMBLY KIT</b> METRAL HDXS 24 PAIR CABLE CONNECTOR		title ASSEMBLY KIT METRAL HDXS 24 PAIR CABLE CONNECTOR catalog no
		dwg no 10078794		Rev. C
		CUSTOMER		sheet 3 of 4

Copyright FCI.

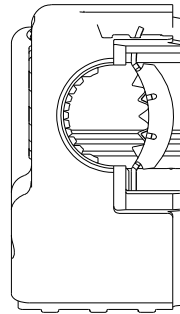
PART NUMBER  
10078794-101LF

## CABLE DIAMETER AND CABLE CLAMP POSITION

Cable Clamp at position.A  
for cable diameters  
Ø 7mm-Ø 8mm

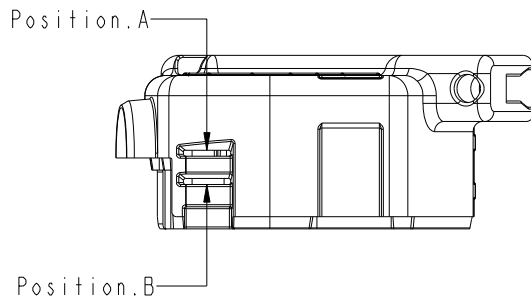


Cable Clamp at position.A  
for cable diameters  
Ø 9mm-Ø 10mm



### NOTES:

- 1.Product specification: GS-12-485
- 2.Application specification: GS-20-091
- 3.Packaging specification: GS-14-1265
- 4.Performance level: Telcordia CO
- 5.Flammability classification : UL94 V-0
- 6.RoHS Compliant
- 7.Wire size: AWG26.



www.fci.com		surface ISO 1302	tolerance std ISO 406 / ISO 1101	projection	mm
		TOLERANCES UNLESS OTHERWISE SPECIFIED			
Dr	S.MANOCHARAN	2008/02/09	ANGULAR	0.X ±	size A3
Eng	J.de Bruijn	2008/02/11	LINEAR	0.XX ±	Scale 2:1
Chr			0° ±°	0.XXX ±	ECN N10-0112
Appr	J.de Bruijn	2008/02/11	Product family	-	Spec ref
	title ASSEMBLY KIT		dwg no 10078794		Rev. C
	METRAL HDXS 24 PAIR CABLE CONNECTOR		CUSTOMER		sheet 4 of 4
	catalog no				

REV F - 2006-04-17

Copyright FCI.