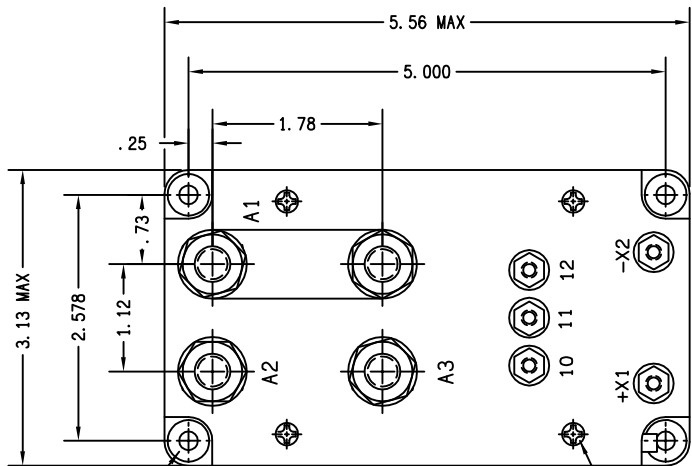


REVISIONS		RELEASED	DATE	APPROVED
SYM	DESCRIPTION			
A	PARTS LIST UPDATED, 8-32 STUDS WERE 6-32	08/08/19		CSE
B	10-013810 ITEM 5 WAS 50406-034, ADDED - TO ITEM 10	10/06/30		CB
C	12-002266 ITEM 8 WAS 51806-014, CORRECTED DESCRIPTION ON ITEM 5	12/01/12		CB



CONSTRUCTION MAIN CONTACTS CONFIGURATION VOLTAGE (NOMINAL) CURRENT:

GASKET SEALED (VENTED)
 SPDT
 28 VDC
 400 AMP CONTINUOUS
 1500 AMP INRUSH
 1000 AMP FOR 30 SECONDS

COIL DATA DUTY CYCLE MAXIMUM OPERATION NOMINAL OPERATION PICKUP DROPOUT VOLTAGE RESISTANCE:

CONTINUOUS (ECONOMIZING)
 31 VDC
 28 VDC
 18 VDC MAX.
 1-10 VOLTS
 6 OHM ± 20% AT 25°C
 79 OHM ± 20% AT 25°C

TRANSIENT SUPPRESSION

+/- 45 VOLTS MAX.

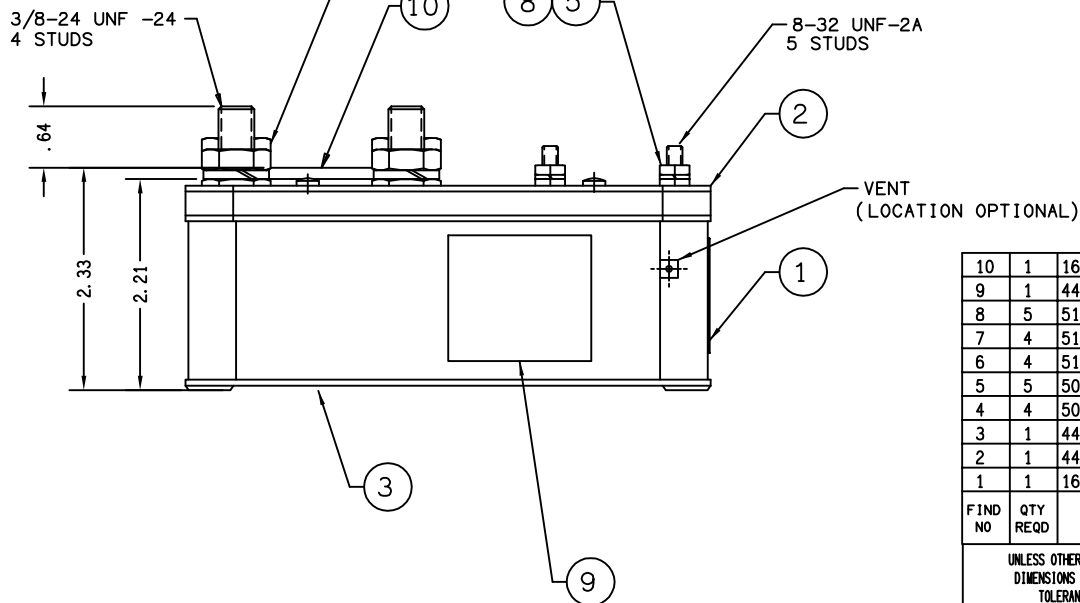
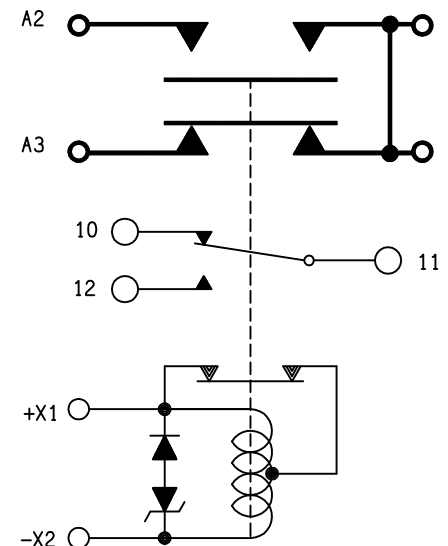
ENVIRONMENTAL DATA

OPERATE TEMP.
 LIFE ELECTRICAL
 LIFE MECHANICAL
 WEIGHT, MAX. (EST.)

-55°C TO +71°C
 50,000 OPERATIONS MINIMUM
 100,000 OPERATIONS MINIMUM
 3.0 LBS.

NOTES:

- THIS UNIT DESIGNED TO THE MATERIAL AND WORKMANSHIP REQUIREMENTS OF MIL-R-6106.
- MOUNTING SURFACE SHALL PROVIDE ELECTRICAL GROUND.



FIND NO	QTY REQD	PART OR IDENTIFYING NO	NOMENCLATURE OR DESCRIPTION	DRAWING OR SPECIFICATION	MATERIAL OR NOTE
10	1	16704-011	BUS BAR		
9	1	44153-001	PLATE - WIRING DIAGRAM		
8	5	51808-034	WASHER - LOCK #8		SPLIT BRONZE
7	4	51807-084	WASHER - LOCK 3/8 X .688 X .094		SPLIT BRONZE
6	4	51200-020	SCREW #4 X 1/4 SHEET METAL		S. STEEL
5	5	50408-034	NUT 8-32 X 1/4 X 5/64 HEX		BRASS
4	4	50407-164	NUT 3/8-24 X 5/8 X 7/32 HEX		BRASS
3	1	44144-010	CONTACTOR ASSEMBLY - PRIMARY		
2	1	44148-001	PLATE - BASE COVER		
1	1	16043-001	PLATE - NAME		

UNLESS OTHERWISE SPECIFIED DIMENSIONS ARE IN INCHES TOLERANCES ON		REF. BOEING HELICOPTER		 Hartman Division, 175 N. DIAMOND STREET MANSFIELD, OHIO 44902	
2 PL DEC.	3 PL DEC.	ANGLES			
± .06	± .010	± 1°		CONTACTOR SPDT 400 AMP 28 VDC CONT. DUTY	
MATERIAL			DR BY DLM 94/10/04	DWG NO. A-981S	
			CHK BY CSE 94/10/16		
			ENGR DM 94/10/16	REF TE P/N 1616083-7	
			MFG JH 94/10/16		
			SIZE CODE IDENT		
			C 74063		
			SCALE NONE SHEET		