

THIS DRAWING IS UNPUBLISHED.

RELEASED FOR PUBLICATION

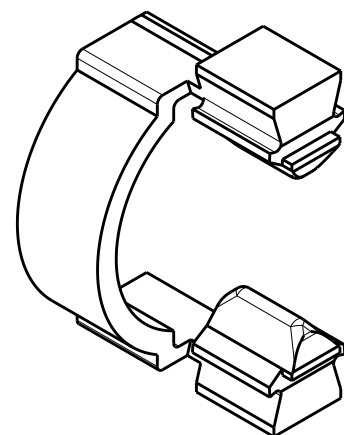
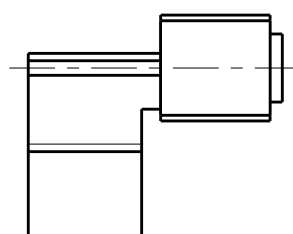
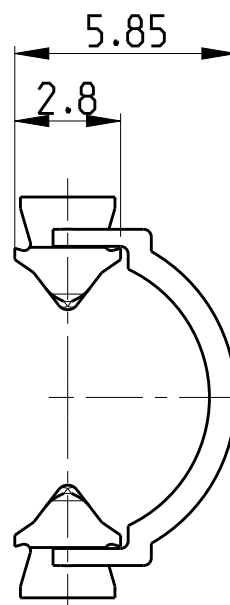
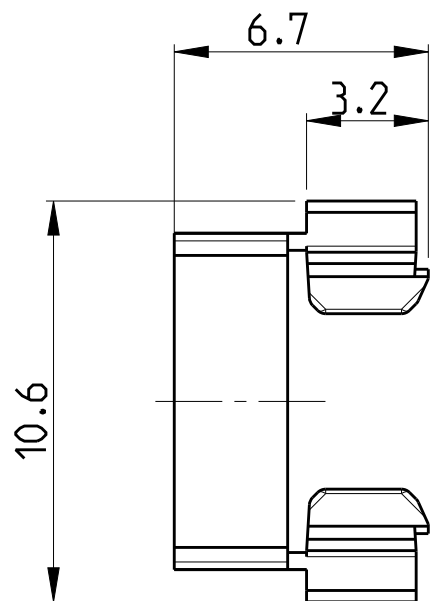
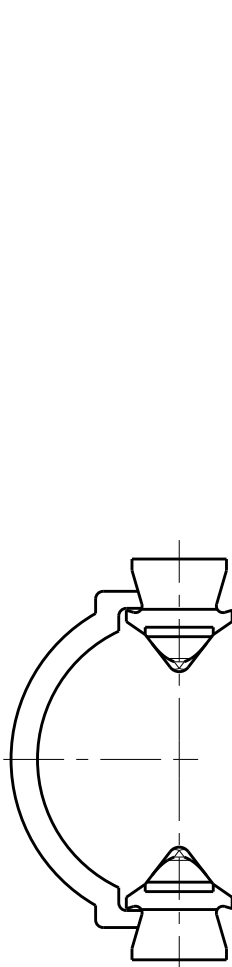
2005

© COPYRIGHT 2005 BY -

ALL RIGHTS RESERVED.

REVISIONS

P	LTR	DESCRIPTION	DATE	DWN	APVD
	H	REVISED PER ECR-17-016389	14NOV2017	RK	JL



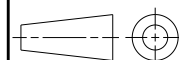
Notes:

1. Ring Clip used for Tube PN 1740260-x
2. Tool needed for assembling
Tube and Ring Clip (see Application Spec.)
Half ring will be sheared off

0-1740261-2	D	BLACK (ANTHRACITE)
0-1740261-1	D	NATURAL (WHITE)
PN	REV.	COLOR

THIS DRAWING IS A CONTROLLED DOCUMENT.

DIMENSIONS:
mm



MATERIAL
PA 6

TOLERANCES UNLESS OTHERWISE SPECIFIED:

0 PLC	±0.2
1 PLC	±0.2
2 PLC	±0.2
3 PLC	±
4 PLC	±
ANGLES	±1°

FINISH

-

DWN 08FEB2005

H.ATZMANN

CHK 08FEB2005

M.OFENLOCH

APVD 08FEB2005

T.GERLACH

PRODUCT SPEC
108-94018

APPLICATION SPEC
114-18751

WEIGHT
0.1 g

CUSTOMER DRAWING

NAME
7.5mm MiniHVL Connector System
Ring Clip

SIZE	CAGE CODE	DRAWING NO	RESTRICTED TO
A3	00779	C-1740261	-

SCALE	SHEET	OF	REV
5:1	1	1	H

STE TE Connectivity