

Specification

Small Form Factor Pluggable

Duplex LC Receptacle – SFP

Optical Transceivers

STM-1 / OC-3 / 100BASE
 155.52Mbit/s




Ordering Information

TSD-SxAA1-H11

Voltage / Temperature

1. 3.3V / +0°C ~ +70°C
2. 3.3V / -40°C ~ +85°C

| Model Name | Voltage | Category | Device type | Interface | SD/LOS | Temperature | Distance | Latch Color |
|---------------|---------|-----------|-------------|------------------|--------|--------------|----------|---|
| TSD-S1AA1-H11 | 3.3V | With DDMI | FP / PIN | AC / AC Coupling | LVTTTL | +0°C ~+70°C | 30km | Blue |
| TSD-S2AA1-H11 | | | | | | -40°C ~+85°C | |  |

Features

- ROHS Compliant
- Standard Small Form Factor Pluggable Package – SFP MSA Compliant
- Digital Diagnostic SFF-8472 Rev.10.2 Compliant
- SONET/SDH Standard Compliant
- Fast Ethernet Standard Compliant
- Laser Class 1 Product –IEC/EN 60825-1 Compliant
- Standard Duplex LC Receptacle Optical Interface
- Single + 3.3 V Power Supply
- Differential LVPECL Data Input and Output
- LVTTTL Loss of Signal
- Serial ID through I²C Interface
- Low Power Consumption

Absolute Maximum Ratings

| Parameter | Symbol | Min | Typ | Max | Unit |
|-----------------------------|-----------------|-----|-----|-----------------|------|
| Storage temperature | T _S | -40 | --- | 85 | °C |
| Supply voltage | V _{CC} | 0 | -- | 4 | V |
| Operating Relative Humidity | -- | 5 | -- | 95 | % |
| Input voltage | V _{IN} | 0 | -- | V _{CC} | V |

Operating Conditions

| Parameter | Symbol | Min | Typ | Max | Unit |
|---|-----------------|-----|-----|-----|------|
| Supply Voltage | V _{CC} | 3.1 | 3.3 | 3.5 | V |
| Operating Case temperature (TSD-S1AA1-H11) | Top | 0 | -- | 70 | °C |
| Operating Case temperature (TSD-S2AA1-H11) | | -40 | -- | 85 | |
| Total Current (Transmitter + Receiver) | I _{CC} | -- | -- | 250 | mA |

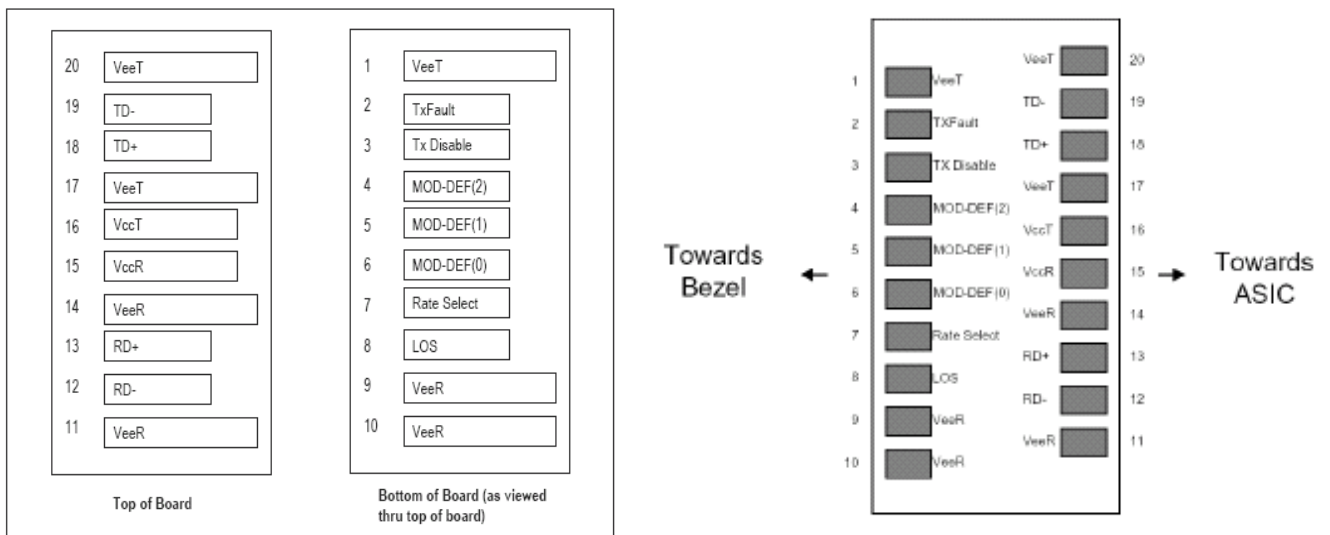
Transmitter Specifications ($V_{CC}=3.1V\sim 3.5V$; $T_{op}=0^{\circ}C\sim 70^{\circ}C$ / $T_{op}=-40^{\circ}C\sim 85^{\circ}C$)

| Parameter | Symbol | Min | Typ | Max | Unit |
|------------------------------------|----------------------------|------|------|--------------|-------|
| Optical Characteristics | | | | | |
| Output Optical Power | P_o | -9 | -- | -3 | dBm |
| Extinction Ratio | ER | 9 | -- | -- | dB |
| Center Wavelength | λ | 1270 | 1310 | 1355 | nm |
| Spectral Width (RMS) | $\sigma\lambda$ | -- | -- | 3 | nm |
| Rise/Fall time (10-90%) | $T_{r,f}$ | -- | -- | 2 | ns |
| Relative Intensity Noise | RIN | -- | -- | -120 | dB/Hz |
| Output Eye | Compliant with ITU-T G.957 | | | | |
| Max. P_{out} TX-DISABLE Asserted | P_{OFF} | -- | -- | -45 | dBm |
| Electrical Characteristics | | | | | |
| Differential Input Voltage | V_{DIFF} | 0.4 | -- | 2.0 | V |
| Tx_Disable_Input_High | V_{DISH} | 2.0 | -- | $V_{CC}+0.3$ | V |
| Tx_Disable_Input_Low | V_{DISL} | 0 | -- | 0.8 | V |
| Tx_Fault_Output_High | V_{FH} | 2.0 | -- | $V_{CC}+0.3$ | V |
| Tx_Fault_Output_Low | V_{FL} | 0 | -- | 0.8 | V |

Receiver Specifications ($V_{CC}=3.1V\sim 3.5V$; $Top= 0^{\circ}C\sim 70^{\circ}C / Top= -40^{\circ}C\sim 85^{\circ}C$)

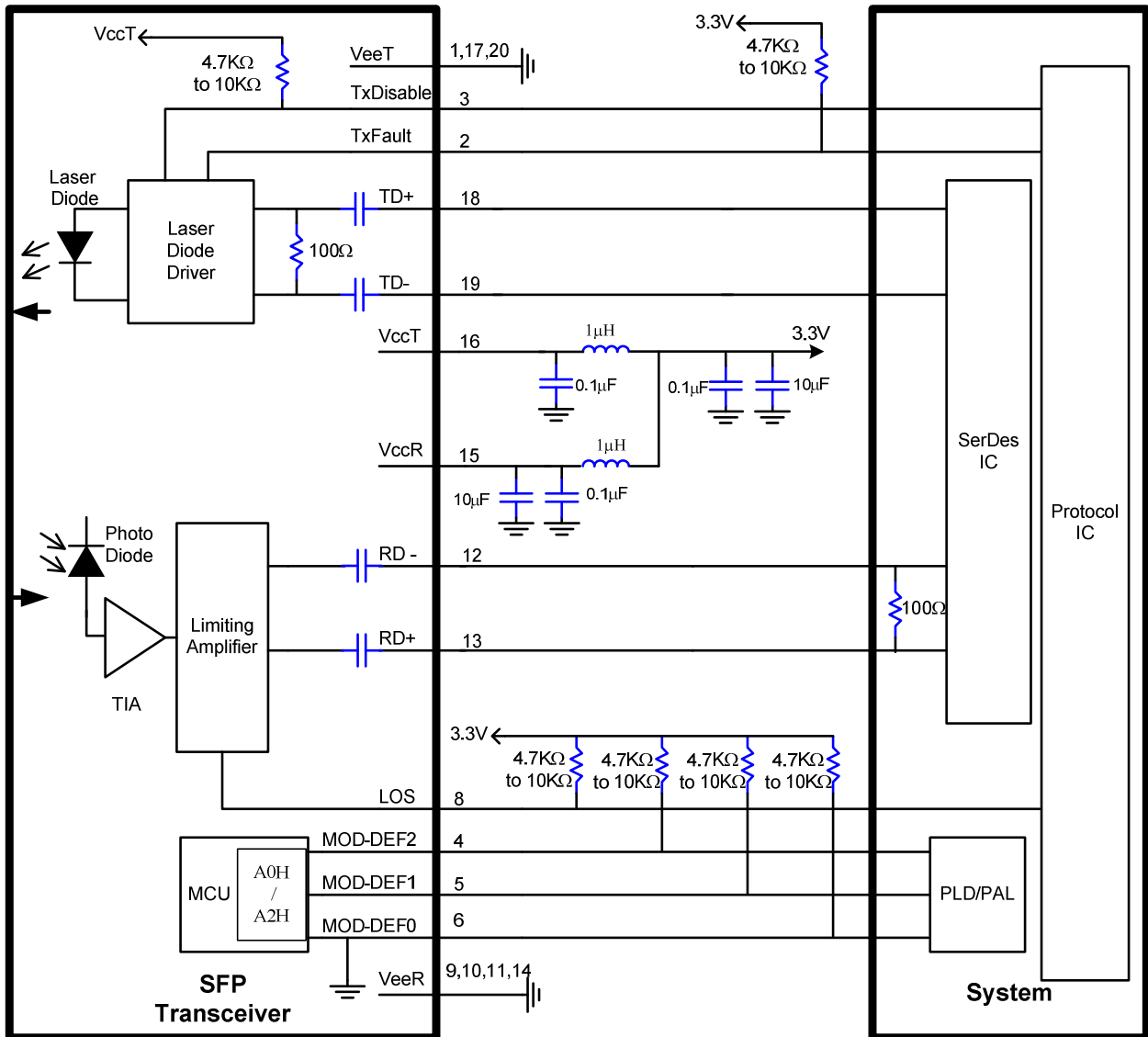
| Parameter | Symbol | Min | Typ | Max | Unit |
|---|-------------|------|-----|--------------|------|
| Optical Characteristics | | | | | |
| Optical Input Power-maximum | P_{SATIN} | -3 | -- | -- | dBm |
| Receiver Sensitivity (PRBS= $2^{23}-1$; $BER \leq 10^{-10}$) | P_{SAN} | -- | -- | -34 | dBm |
| Operating Center Wavelength | λ | 1260 | -- | 1610 | nm |
| Optical Return Loss | ORL | 12 | -- | -- | dB |
| Loss of Signal – De-asserted | P_{LD} | -- | -- | -34 | dBm |
| Loss of Signal - Asserted | P_{LA} | -45 | -- | -- | dBm |
| Loss of Signal - Hysteresis | P_{LH} | 0.5 | -- | 6 | dB |
| Electrical Characteristics | | | | | |
| Differential Output Voltage | V_{DIFF} | 0.4 | -- | 2.0 | V |
| Receiver Loss of Signal Output Voltage -Low | V_{LOSL} | 0 | -- | 0.8 | V |
| Receiver Loss of Signal Output Voltage -High | V_{LOSH} | 2 | -- | $V_{CC}+0.3$ | V |

Pin Definition and Descriptions



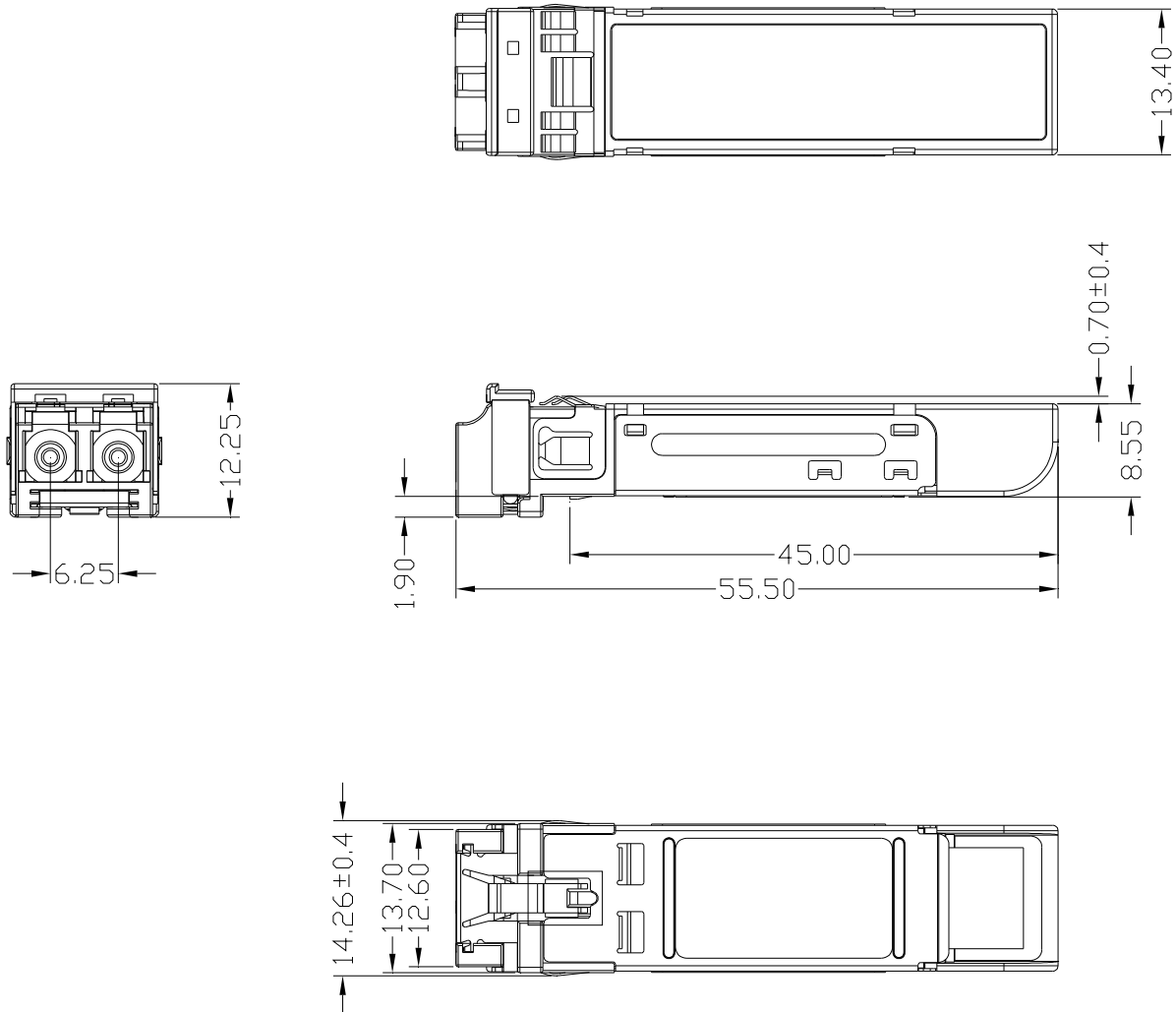
| Pin | Name | Input/Output Level | Description |
|-----|-------------|--------------------|---|
| 1 | VeeT | Input | Transmitter ground |
| 2 | TXFault | Output/LVTTL | Laser failure indication. High level indicates "laser failure". Externally pulled up |
| 3 | TXDisable | Input/LVTTL | Transmitter disable, High signal/open disables TX laser output. Low level enables TX output, internally pulled up. |
| 4 | MOD-DEF(2) | Input/output | Module definition 2, SDA, Data line for I2C bus. Externally pulled up |
| 5 | MOD-DEF(1) | Input | Module definition 1, SCL, Clock for I2C bus. Externally pulled up |
| 6 | MOD-DEF(0) | Output | Module definition 0, Module present. Ground inside module. |
| 7 | Rate Select | - | No connection. |
| 8 | LOS | Output/LVTTL | Receiver loss of signal indication. Low signal indicates optical signal is present at RX input. Should be Externally pulled up. |
| 9 | VeeR | Input | Receiver ground |
| 10 | VeeR | Input | Receiver ground |
| 11 | VeeR | Input | Receiver ground |
| 12 | RD - | Output/CML | Inverted receiver data output (AC coupled) |
| 13 | RD + | Output/CML | Non-inverted receiver data output (AC coupled) |
| 14 | VeeR | Input | Receiver ground |
| 15 | VccR | Input | Receiver power supply |
| 16 | VccT | Input | Transmitter power supply |
| 17 | VeeT | Input | Transmitter ground |
| 18 | TD + | Input/LVPECL | Non-inverted transmitter data input (AC coupled) |
| 19 | TD - | Input/LVPECL | Inverted transmitter data input (AC coupled) |
| 20 | VeeT | Input | Transmitter ground |

Recommended Circuit Diagram



Mechanical Outlines

(Unit : mm)



ESD

Normal ESD precautions are required during the handling of this module. This transceiver is shipped in ESD protective packaging. It should be removed from the packaging and handled only in an ESD protected environment.



Contact Information

Formerica OptoElectronics Inc.

5F-11, No.38, Taiyuan St., Zhubei City,
Hsinchu County 30265, Taiwan
Tel: +886-3-5600286
Fax: +886-3-5600239

San Diego, CA

Tel: 1-949-466-8069

inquiry@formericaoe.com

www.formericaoe.com