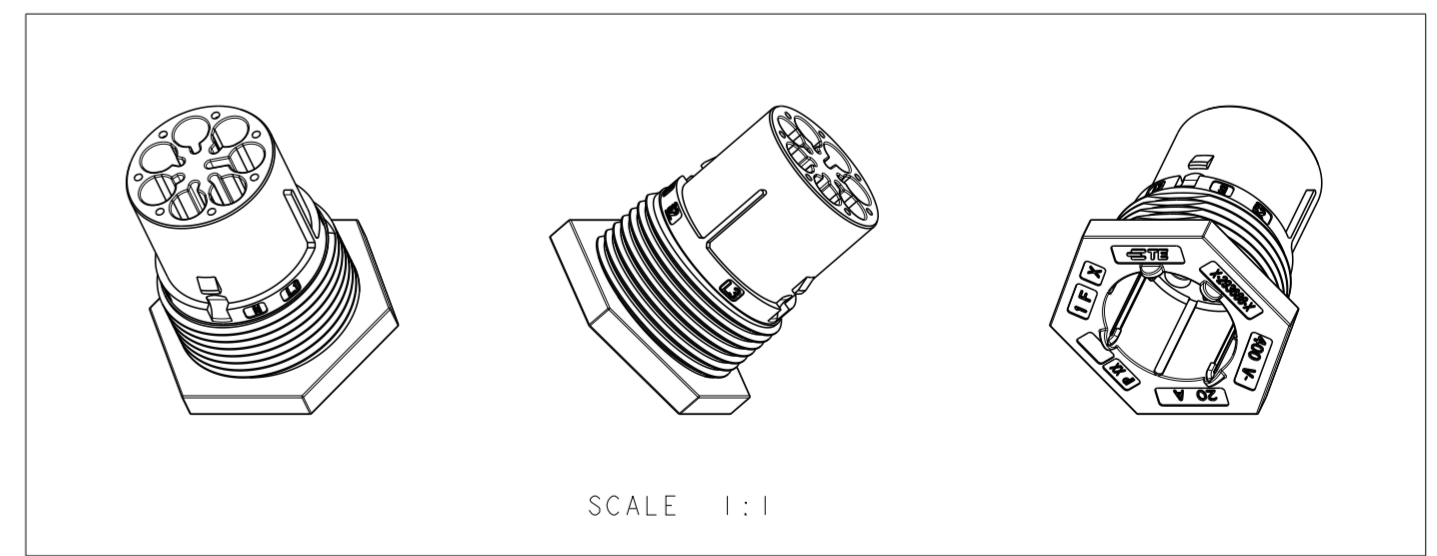
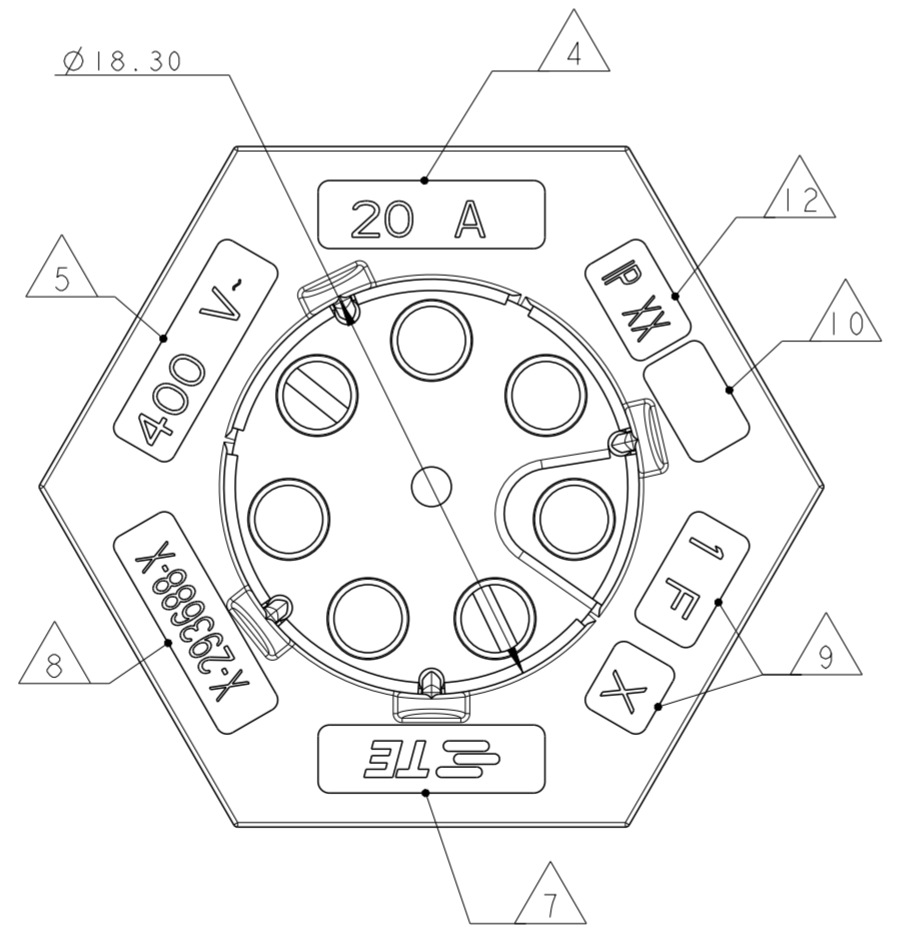
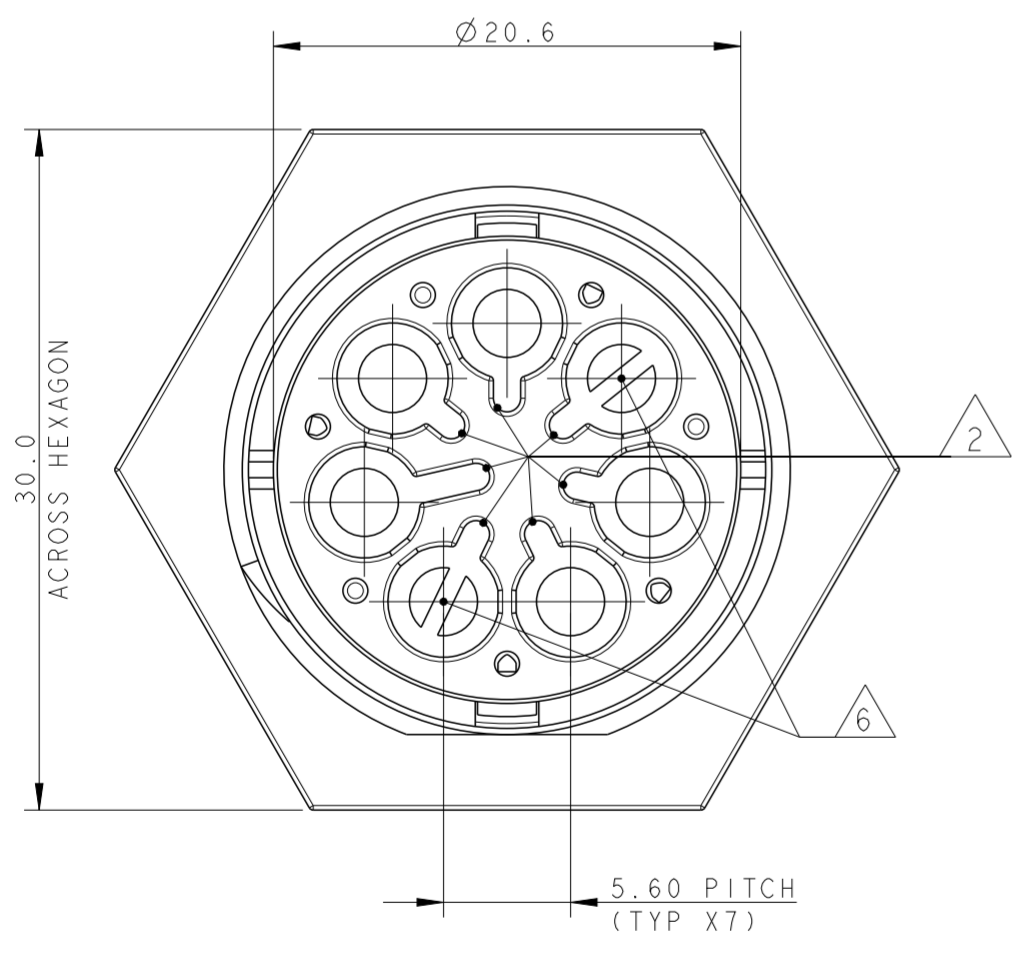
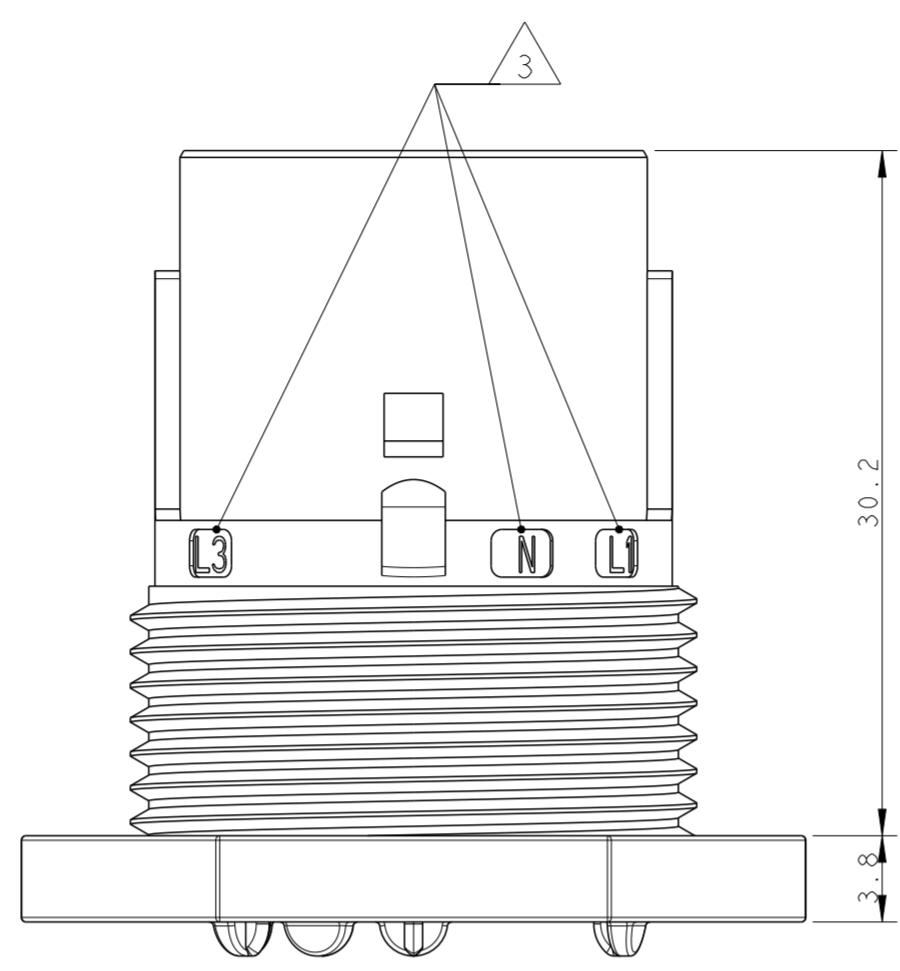
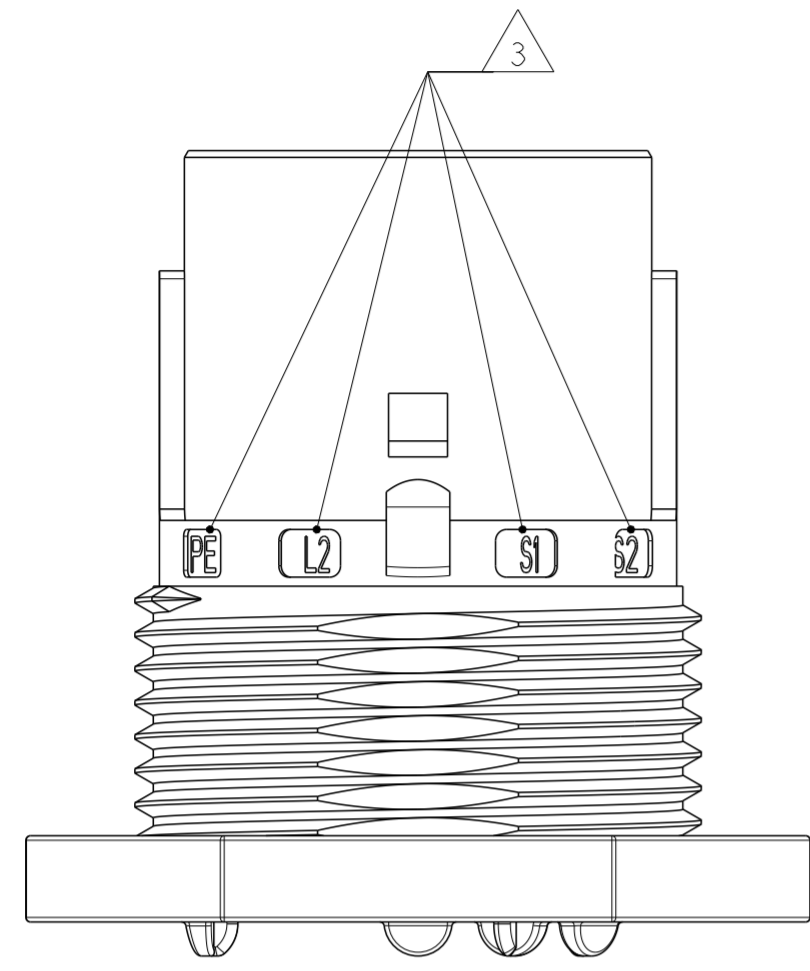


THIS DRAWING IS UNPUBLISHED. RELEASED FOR PUBLICATION 2011  
COPYRIGHT 2011 ALL RIGHTS RESERVED.

LOC		DIST		REVISIONS			
P	LTR	DESCRIPTION		DATE	DWN	APVD	
	4	REVISED		02MAY2013	KR	JC	
	5	UPDATED		22JUL2013	MZ	JC	
	6	REVISED LATCH SHAPE		09AUG2013	KR	JC	
	A	PARTS RELEASED FOR PRODUCTION		13NOV2013	MZ	JC	

- NOTES:
- 1 MATERIAL: PA GF (NATURAL AND BLACK COLOUR)
  - 2 ALL POLARIZATION KEYS SHOWN FOR REF ONLY
  - 3 WAYS I.D.
  - 4 CURRENT RATING
  - 5 VOLTAGE RATING
  - 6 RIB CLOSING CAVITIES BY CHANGE OVER
  - 7 TE LOGO
  - 8 TE PART NUMBER
  - 9 DATA CODE AND CAVITY I.D.
  - 10 AREA FOR AGENCIES APPROVAL LOGO
- 11) SEE C-DRAWING 293682 (LOCKING CAP) TO GET IP 40
- 12 IP CODE
  - 13 POLARISATION KEY "TYPE D" SUITABLE FOR DALI APPLICATION



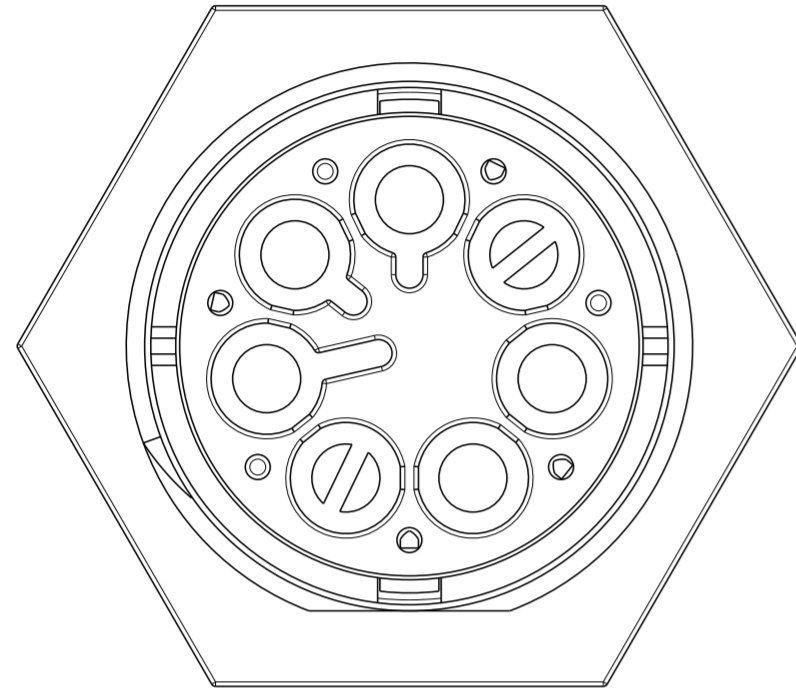
THIS DRAWING IS A CONTROLLED DOCUMENT.		DWN M. ZUCCA 01APR2011	TE Connectivity		
DIMENSIONS: mm		CHK M. ZUCCA 01APR2011			
TOLERANCES UNLESS OTHERWISE SPECIFIED:		APVD G. TURCO 01APR2011	NAME PIN HOUSING PANEL MOUNT		
0 PLC ±	1 PLC ±0.3	PRODUCT SPEC	NECTOR* M-LINE 5 POLES		
2 PLC ±0.20	3 PLC ±	APPLICATION SPEC	UNSEALED VERSION		
4 PLC ±	ANGLES ±3°	WEIGHT	SIZE A2	CAGE CODE 0779	DRAWING NO C-293688
FINISH	MATERIAL	Customer Drawing	RESTRICTED TO	SCALE 3:1	SHEET 1 OF 3 REV A

THIS DRAWING IS UNPUBLISHED. RELEASED FOR PUBLICATION 2011  
 © COPYRIGHT 2011 ALL RIGHTS RESERVED.

LOC	DIST	REVISIONS			
P	LTR	DESCRIPTION	DATE	DWN	APVD
-	-	SEE SHEET 1	-	-	-

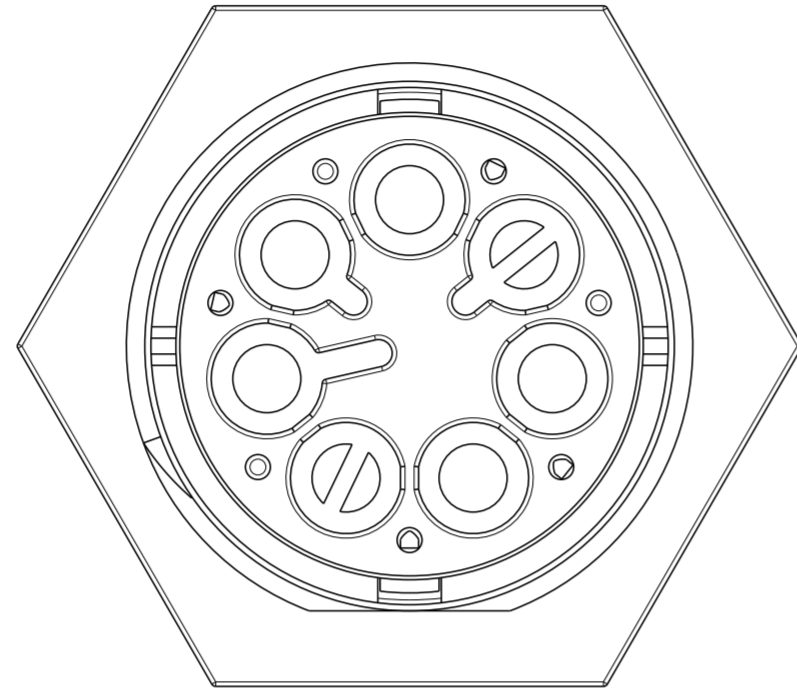
### POLARIZATION TYPES

POLARIZATION TYPE "A"



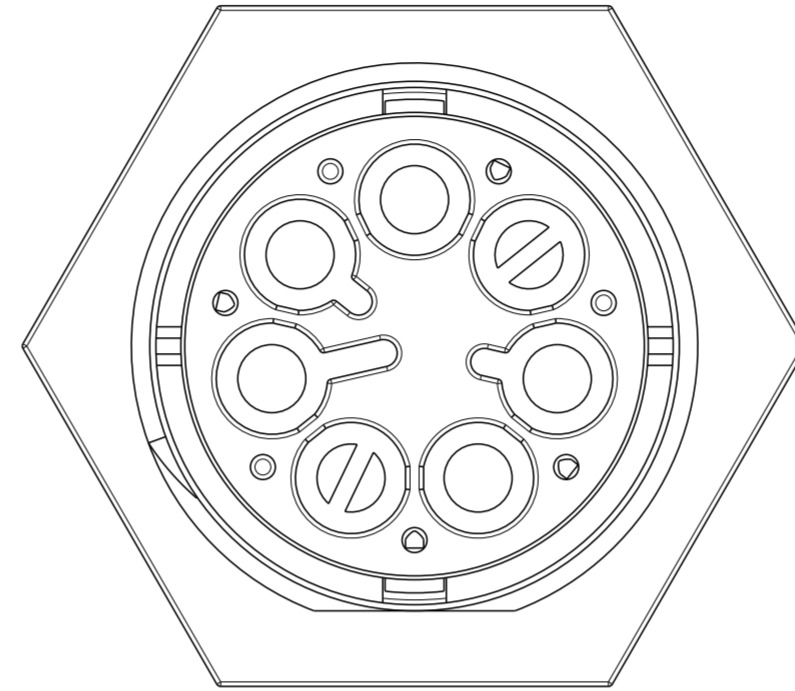
PNs 0-293688-1 AND  
1-293688-1

POLARIZATION TYPE "B"



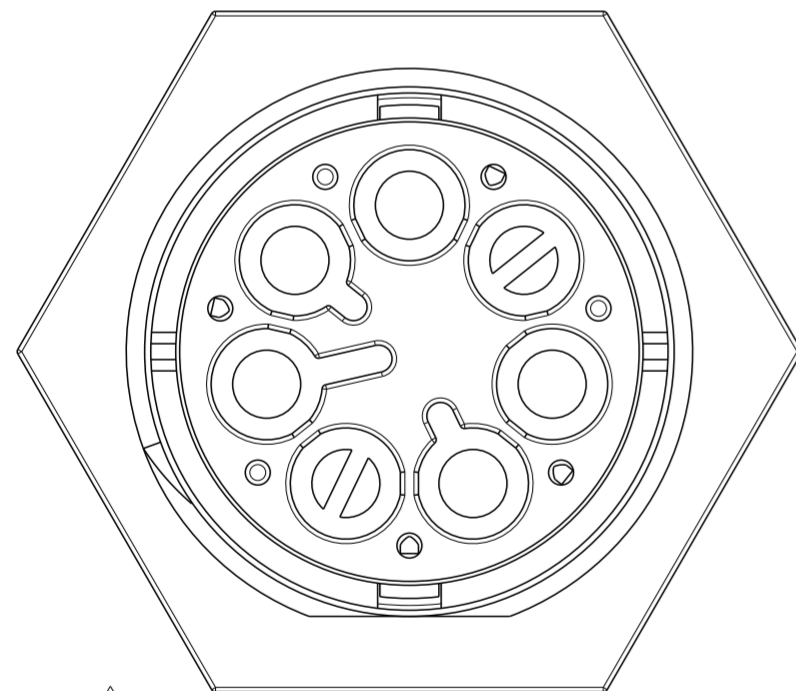
PNs 0-293688-2 AND  
1-293688-2

POLARIZATION TYPE "C"



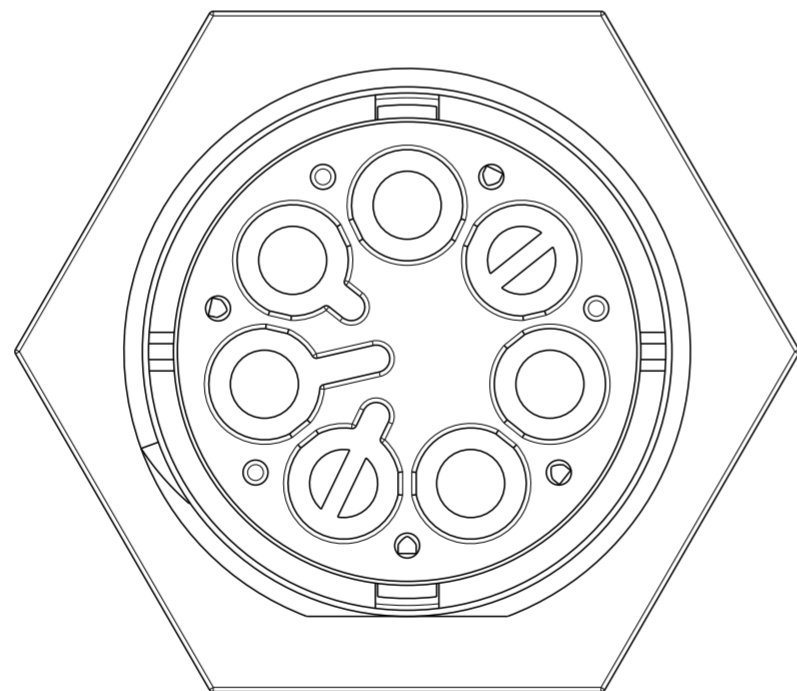
PNs 0-293688-3 AND  
1-293688-3

POLARIZATION TYPE "D"



PNs 0-293688-4 AND  
1-293688-4

POLARIZATION TYPE "E"



PNs 0-293688-5 AND  
1-293688-5

TABLE 1

NOTE	POL. KEYING	COLOUR	DESCRIPTION	REV.	P/N
	E	BLACK	PIN HSG 5 POLES PANEL MOUNT NECTOR* M-LINE	A	1-293688-5
	D	BLACK	PIN HSG 5 POLES PANEL MOUNT NECTOR* M-LINE	A	1-293688-4
	C	BLACK	PIN HSG 5 POLES PANEL MOUNT NECTOR* M-LINE	A	1-293688-3
	B	BLACK	PIN HSG 5 POLES PANEL MOUNT NECTOR* M-LINE	A	1-293688-2
	A	BLACK	PIN HSG 5 POLES PANEL MOUNT NECTOR* M-LINE	A	1-293688-1
	E	NATURAL	PIN HSG 5 POLES PANEL MOUNT NECTOR* M-LINE	A	0-293688-5
	D	NATURAL	PIN HSG 5 POLES PANEL MOUNT NECTOR* M-LINE	A	0-293688-4
	C	NATURAL	PIN HSG 5 POLES PANEL MOUNT NECTOR* M-LINE	A	0-293688-3
	B	NATURAL	PIN HSG 5 POLES PANEL MOUNT NECTOR* M-LINE	A	0-293688-2
	A	NATURAL	PIN HSG 5 POLES PANEL MOUNT NECTOR* M-LINE	A	0-293688-1

THIS DRAWING IS A CONTROLLED DOCUMENT.

DWN: M. ZUCCA 01APR2011  
 CHK: M. ZUCCA 01APR2011  
 APVD: G. TURCO 01APR2011

**STE** TE Connectivity

NAME: PIN HOUSING PANEL MOUNT  
NECTOR\* M-LINE 5 POLES  
UNSEALED VERSION

SIZE: A2 CAGE CODE: 0779 DRAWING NO: C-293688 RESTRICTED TO: -

MATERIAL: - FINISH: - WEIGHT: -

Customer Drawing SCALE 3:1 SHEET 2 OF 3 REV A

THIS DRAWING IS UNPUBLISHED. RELEASED FOR PUBLICATION 2011  
 © COPYRIGHT 2011 ALL RIGHTS RESERVED.

LOC		DIST		REVISIONS			
P	LTR	DESCRIPTION	DATE	DWN	APVD		
-	-	SEE SHEET 1	-	-	-		



### PANEL/WALL SUGGESTED LAYOUT



THIS DRAWING IS A CONTROLLED DOCUMENT.		DWN M. ZUCCA 01APR2011	TE Connectivity	
DIMENSIONS: mm		CHK M. ZUCCA 01APR2011		
TOLERANCES UNLESS OTHERWISE SPECIFIED:		APVD G. TURCO 01APR2011	NAME PIN HOUSING PANEL MOUNT NECTOR* M-LINE 5 POLES UNSEALED VERSION	
0 PLC ±- 1 PLC ±0.3 2 PLC ±0.20 3 PLC ±- 4 PLC ±- ANGLES ±3° FINISH		PRODUCT SPEC -	SIZE A200779	
MATERIAL -		APPLICATION SPEC -	DRAWING NO C-293688	
-		WEIGHT -	RESTRICTED TO -	
-		Customer Drawing		SCALE 3:1 SHEET 3 OF 3 REV A