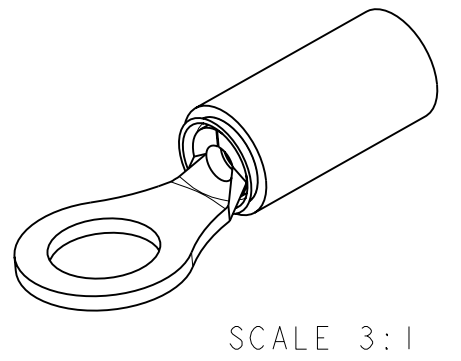
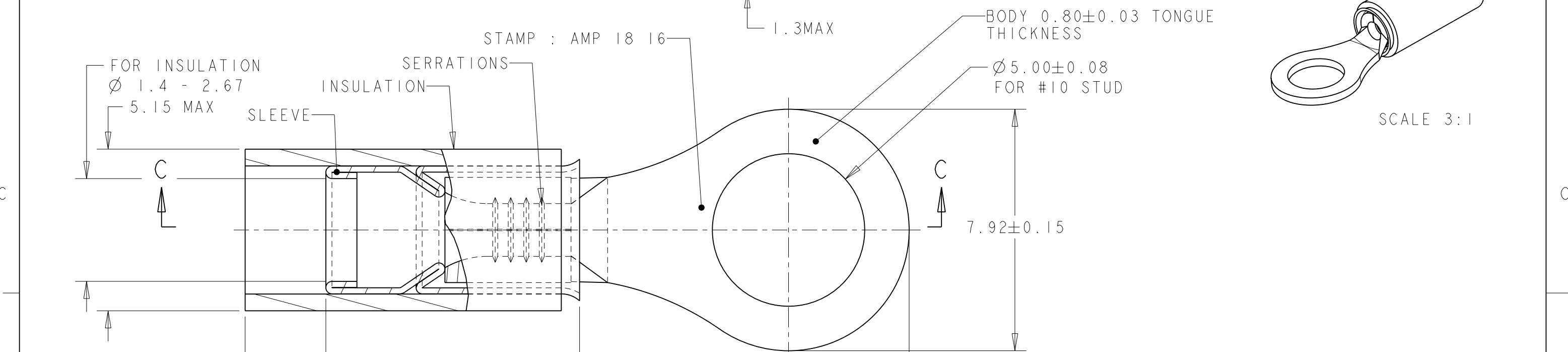
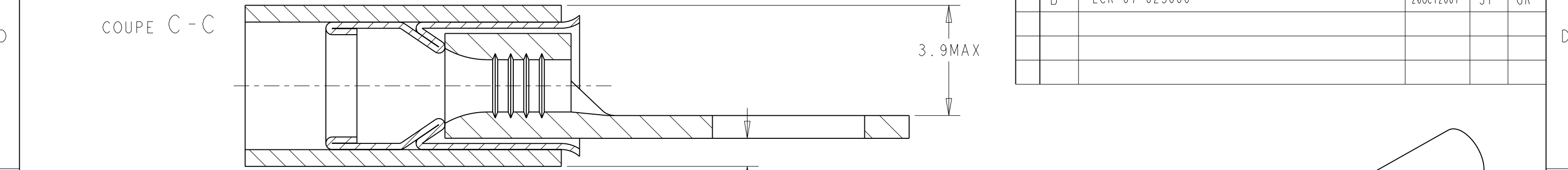


THIS DRAWING IS UNPUBLISHED. RELEASED FOR PUBLICATION 20
 © COPYRIGHT 20 BY TYCO ELECTRONICS CORPORATION. ALL RIGHTS RESERVED.

LOC	DIST	REVISIONS			
P	LTR	DESCRIPTION	DATE	DWN	APVD
F	00	B	ECR 07-025006	26OCT2007	JT GR



0.79 MIN	6.76 MIN	18.39 MAX	22.43 MAX
DESCRIPTION		PART NUMBER	
WIRE TERMINAL		1577633-1	
MATERIAL & FINISH		BODY : COPPER ANNEALED FINISH : NICKEL PLATED	
		SLEEVE : COPPER ANNEALED FINISH : NICKEL PLATED	
		INSULATION : PEEK COLOR : ORANGE	

THIS DRAWING IS A CONTROLLED DOCUMENT FOR TYCO ELECTRONICS CORPORATION. IT IS SUBJECT TO CHANGE AND THE CONTROLLING ENGINEERING ORGANIZATION SHOULD BE CONTACTED FOR THE LATEST REVISION.

DIMENSIONS: mm	TOLERANCES UNLESS OTHERWISE SPECIFIED: 0 PLC \pm .3 1 PLC \pm .3 2 PLC \pm .3 3 PLC \pm .3 4 PLC \pm .3 ANGLES \pm 5	DWN JJ. DESPRETZ 22FEB2006 CHK G. ROBERT 22FEB2006 APVD Y. PETRONIN 22FEB2006	Tyco Electronics France SAS 95300 Pontoise, France	
MATERIAL SEE TABLE	FINISH SEE TABLE	PRODUCT SPEC 108-15356 APPLICATION SPEC 114-15102 WEIGHT 0,91 gr	NAME TERMINAL, PEEK PIDG STRATO, 18-16 AWG SIZE A3 CAGE CODE 00779 DRAWING NO C-1577633 RESTRICTED TO -	
		CUSTOMER DRAWING		SCALE 8:1 SHEET 1 OF 1 REV B