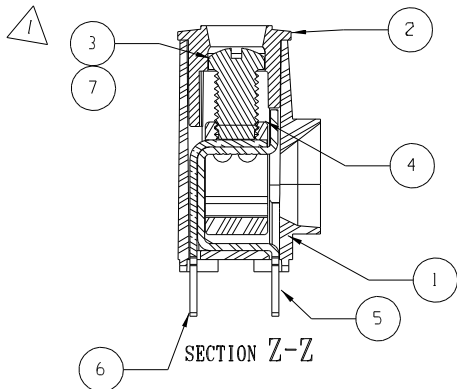
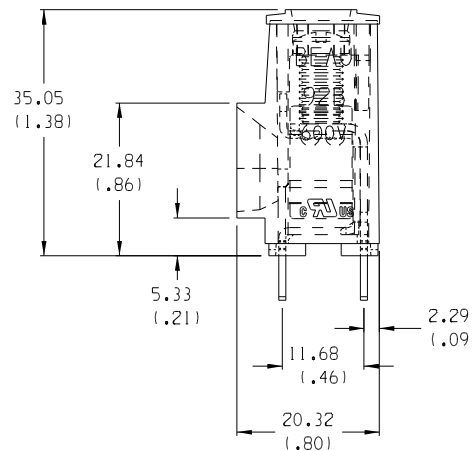
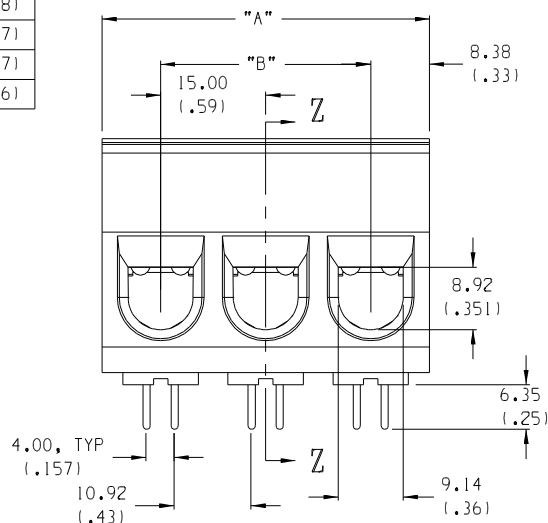
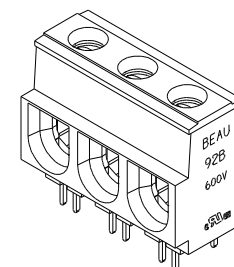
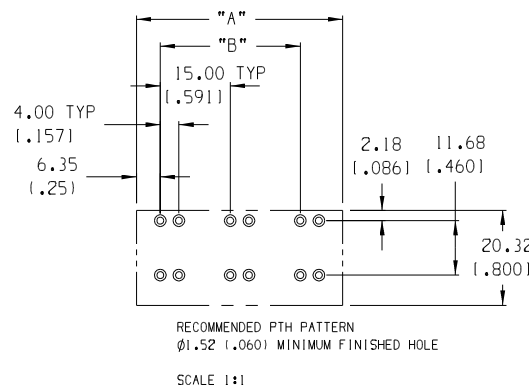
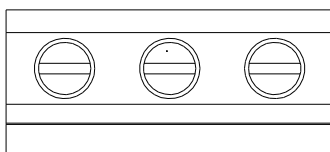


LENGTH TABLE

| MATERIAL NO. (STANDARD) | MATERIAL NO. (-56 OPT.) | NO. OF CIRCUITS | "B"           | "A"        |
|-------------------------|-------------------------|-----------------|---------------|------------|
| F 399200302             | 399200602               | 02              | 15.0 (.591)   | 32 (1.25)  |
| 399200303               | 399200603               | 03              | 30.0 (1.181)  | 47 (1.84)  |
| 399200304               | 399200604               | 04              | 45.0 (1.772)  | 62 (2.43)  |
| 399200305               | 399200605               | 05              | 60.0 (2.362)  | 77 (3.02)  |
| 399200306               | 399200606               | 06              | 75.0 (2.952)  | 92 (3.61)  |
| 399200307               | 399200607               | 07              | 90.0 (3.543)  | 107 (4.20) |
| 399200308               | 399200608               | 08              | 105.0 (4.134) | 122 (4.79) |
| E 399200309             | 399200609               | 09              | 120.0 (4.724) | 137 (5.38) |
| 399200310               | 399200610               | 10              | 135.0 (5.315) | 152 (5.97) |
| 399200311               | 399200611               | 11              | 150.0 (5.906) | 167 (6.57) |
| 399200312               | 399200612               | 12              | 165.0 (6.496) | 182 (7.16) |



NOTES:

- MATERIAL: SEE TABLE.
- FINISHES: SEE TABLE.
- PRODUCT SPECIFICATION: NOT REQUIRED.
- PACKAGING: NOT REQUIRED.
- MATES WITH: NONE.
- ALL FEATURES ARE TYPICAL UNLESS OTHERWISE NOTED.
- "XX" REFERS TO THE NUMBER OF CIRCUIT POSITIONS
- DESIGNED TO MEET NEC & UL 1059 CLASS C 600 VOLTS
- MULTIPLE TAIL DESIGN FOR LOWER PCB CURRENT DENSITIES
- PROVEN PRESSURE CLAMP STYLE CONNECTION
- AVAILABLE IN VARIOUS LENGTHS
- WINDOW ACCEPTS 133/23 STRANDED #2 AWG, #3 AWG AND 19 STRAND #1 AWG

| ITEM | QTY. | DESCRIPTION                       | MATERIAL        | FINISH |
|------|------|-----------------------------------|-----------------|--------|
| 7    | "XX" | SCREW, 1/4-28, SLOTTED, ST. STEEL | STAINLESS STEEL | TIN    |
| 6    | "XX" | OUTER TERMINAL                    | COPPER          | TIN    |
| 5    | "XX" | INNER TERMINAL                    | COPPER          | TIN    |
| 4    | "XX" | CAGE                              | BRASS           | NICKEL |
| 3    | "XX" | SCREW, 1/4-28, SLOTTED, BRONZE    | BRONZE          | TIN    |
| 2    | 1    | COVER                             | THERMOPLASTIC   | BLACK  |
| 1    | 1    | BODY                              | THERMOPLASTIC   | BLACK  |

|                   |             |                 |
|-------------------|-------------|-----------------|
| EC NO. 4261       | DESCRIPTION | QUALITY SYMBOLS |
| DRAWN: CY 10-7-05 | MAJOR       |                 |
| CHK: [ ]          | CRITICAL    |                 |
| APPR: [ ]         | C           |                 |
| REV               |             |                 |

| GENERAL TOLERANCES: (UNLESS SPECIFIED)               |             |
|--|-------------|
| 4 PLACES   | ±.0015      |
| 3 PLACES   | ±.038 ±.005 |
| 2 PLACES   | ±.13 ±.01   |
| 1 PLACE  | ±.3         |
| ANGULAR: ±2°   |             |
| DRAFT WHERE APPLICABLE MUST REMAIN WITHIN DIMENSIONS |             |

|                    |                        |
|--------------------|------------------------|
| SCALE 1.5:1        | DESIGN UNITS           |
| DRAWN BY & DATE    | THIRD ANGLE PROJECTION |
| AMP 4/11/02        |                        |
| CHECKED BY & DATE  |                        |
| GHR 6/11/02        |                        |
| APPROVED BY & DATE |                        |
| L.ROTHAUS 6/11/02  |                        |
| CAD FILENAME       | MATERIAL NO.           |
| 92B05XX            | SEE CHART              |

|  |                               |                    |        |
|--|-------------------------------|--------------------|--------|
| DIMENSIONS:  |                               | SHT                | REV    |
| <input checked="" type="checkbox"/> mm   | <input type="checkbox"/> INCH |                    |        |
| <input type="checkbox"/> mm  | <input type="checkbox"/> INCH |                    |        |
| TITLE: SR, BTS, #1-#8 AWG, 600V  |                               | REVISE ON CAD ONLY |        |
| <b>MOLEX INCORPORATED</b>  |                               |                    |        |
| MATERIAL NO.   | DRAWING NO.                   | SHEET NO.          |        |
| SEE CHART  | SD-39920-006                  | 1 OF 1             |        |
| THIS DRAWING CONTAINS INFORMATION THAT IS PROPRIETARY TO MOLEX INCORPORATED AND SHOULD NOT BE USED WITHOUT WRITTEN PERMISSION. |                               |                    | SIZE B |