

## LUMOTAST FK - Signal lamps, rectangular collar, housing

### 1.65.121.966/0000

Do not press in lens in disassembled condition.

A notch on the lamp socket identifies the cathode side.

Please include the desired lens in your order.



#### General information

Form of lens	flat lens
Form of collar	rectangular

#### Dimensions

Length of collar	24 mm
Width of collar	18 mm
Mounting depth with connector	30.7 mm
Mounting depth with plug-in socket	33.4 mm
Mounting hole	16.2 mm

#### Mechanical design

Mounting	click quick connection
Terminals	Stiftleiste 4-pol./Steckfassung
Lamp socket	Bi-Pin T1 / T1¼
Lamp	filament lamp / LED

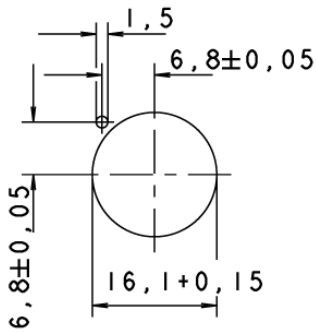
#### Electrical characteristics

Voltage limit max.	24 V
Power limit max.	0.7 W

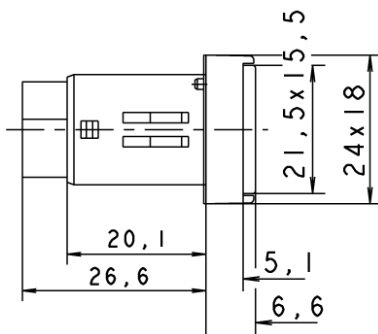
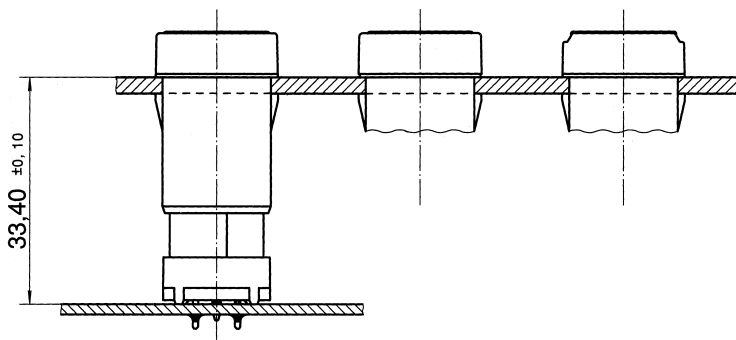
#### Other specifications

Degree of protection from front side	IP65 (DIN EN 60529)
Weight	5 g
Operation temperature min.	-25 °C
Ambient temp. operating max.	+55 °C
Storage temperature min.	-40 °C
Storage temperature max.	+80 °C
Environmental resistance	acc. to IEC 60068-2-14, -30, -33 and -78
ROHS compliant	yes
REACH compliant	yes

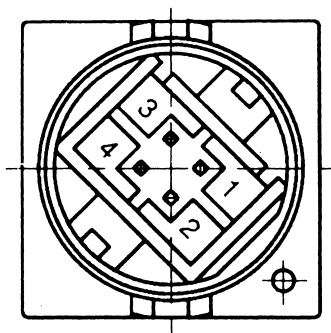
Panel cut-out



with plug-in socket for PCB



1+4 = NO contact 2+3 = lamp socket (3 = cathode)



with socket connector

