

1

2

3

4

A

B

C

D

A

B

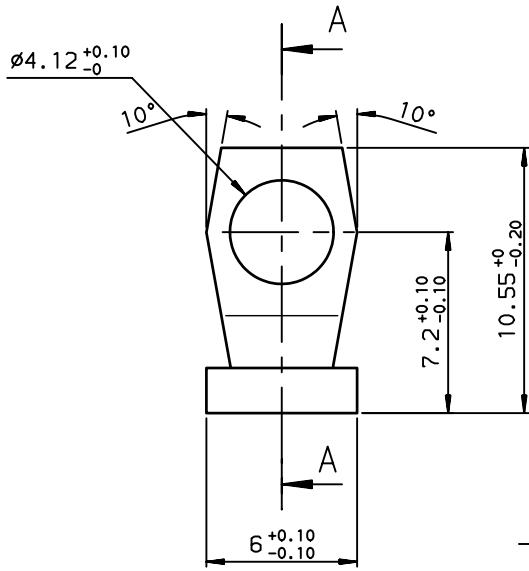
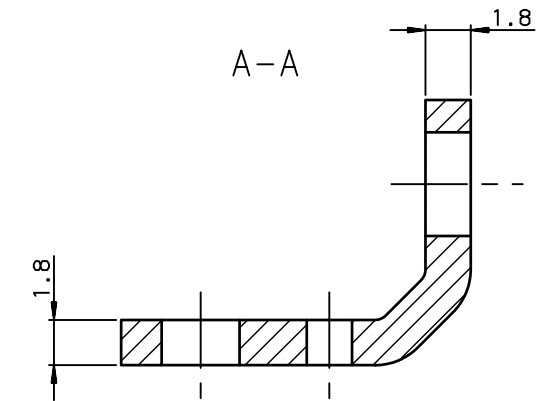
C

D

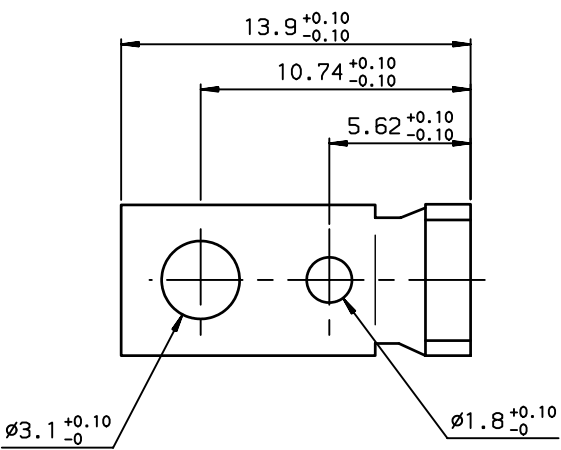
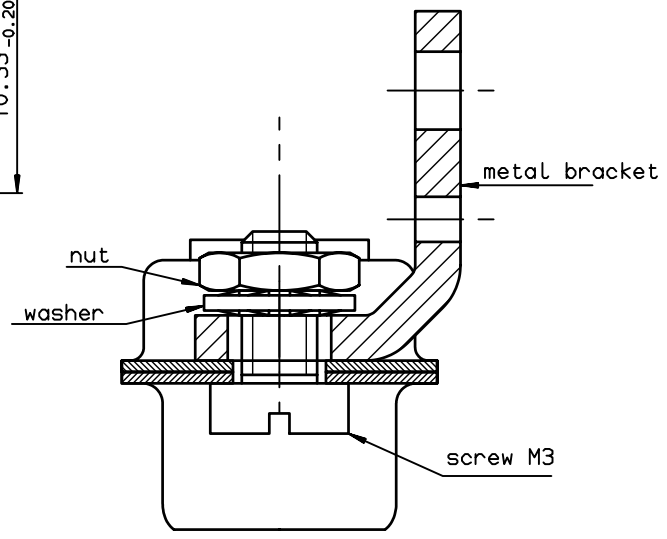
MATERIAL:
Steel . Tin Lead plating

TEMPERATURE RANGE:
-Climatic category: -55°/ +125°

PACKAGING:
Per 100 pieces



BRACKET MOUNTING



Part number **86552008TLF**

European Views

NOTE: RoHS INFORMATIONS

- The "LF" products meet European union Directives and other country regulations as described in GS-22-008.
- Plating Sn (pure bright) over copper
- Packaging spec: see GS-14-920

rev	ecn no	dr	date
A	-	JOU	1998/04/10
B	LS05-0026	MPE	2005/07/08
C	LS06-0097	LGO	2006/07/28
D	LS09-0006	PCR	2009/01/08
-	-	-	-
-	-	-	-
-	-	-	-

www.fciconnect.com		surface ISO 1302 ✓	tolerance std ISO 406 ISO 1101	projection ⊕	mm
TOLERANCES UNLESS OTHERWISE SPECIFIED					
Dr	JOUBERT	1998/04/10	ANGULAR	0.X ±0.1	size A3 Scale 5
Eng	PESSON	1998/04/10	LINEAR	0.XX ±0.1	
Chr	LEGARE	1998/04/10	0.XX' ±2'	0.XXX ±0.1	ECN LS09-0006
Appr	LEGARE	1998/04/10	Product family	D-SUB	Spec ref -
FCj		title METAL BRACKETS		dwg no C01-8655-1512	Rev. D
		D SUB ACCESSORIES		CUSTOMER	sheet 1 of 1

REV F - 2006-04-17

1

2

3

4

Copyright FCj. FCj