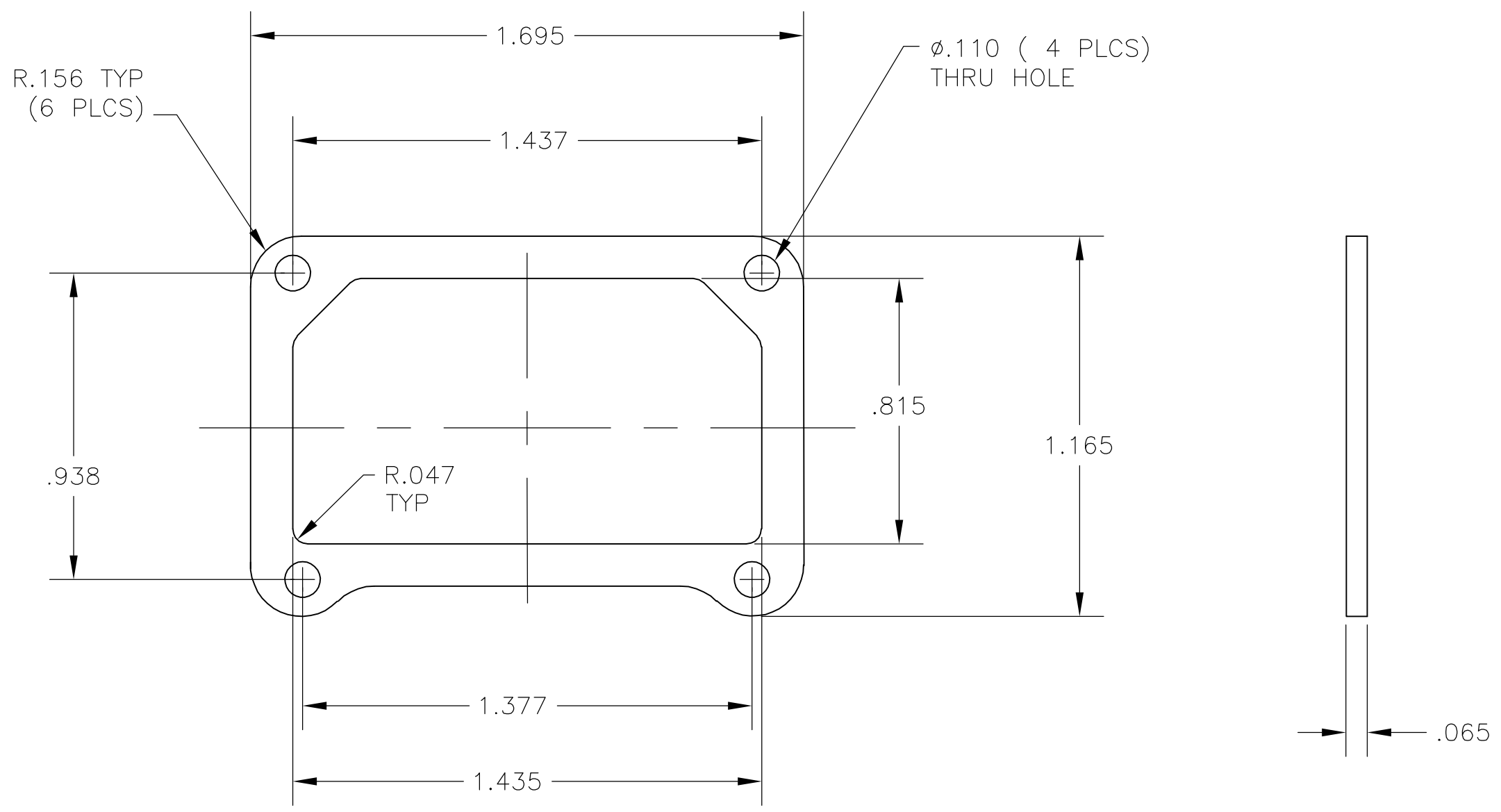


THIS DRAWING IS UNPUBLISHED. RELEASED FOR PUBLICATION
 © COPYRIGHT - BY TYCO ELECTRONICS CORPORATION. ALL RIGHTS RESERVED.

| LOC | DIST | REVISIONS | | | |
|-----|------|-------------|-------------------------|---------|-------|
| P | LTR | DESCRIPTION | DATE | DWN | APVD |
| DF | X5 | B | REV PER EC 0H14-0216-05 | 02FEB06 | BL CT |



1 ELECTROLESS NICKEL DOES NOT CONTAIN INTENTIONAL ADDITIONS OF LEAD AND CADMIUM PER DFE STANDARD 230-700.

| | | |
|---|--------------------|-------------|
| 1 | ELECTROLESS NICKEL | 5-204861-3 |
| | ELECTROLESS NICKEL | 204861-5 |
| | ELECTROLESS NICKEL | 204861-3 |
| | BLUE ANODIZED | 204861-2 |
| | PLATING | PART NUMBER |

| | | | | | |
|--------------------------------------------------------------------------------|-------------------------|-------------------|-----------------|-----------------------------------------------------------|--------------------|
| THIS DRAWING IS A CONTROLLED DOCUMENT. | | DWN B. LATTUCA | 02FEB2006 | Tyco Electronics Corporation Harrisburg, PA 17105-3608 | |
| DIMENSIONS: INCHES | | CHK J. MARKEY | 02FEB2006 | | |
| TOLERANCES UNLESS OTHERWISE SPECIFIED: | | APVD J. MARKEY | 02FEB2006 | NAME PLATE, RETAINER | |
| 0 PLC ± - 1 PLC ± - 2 PLC ± - 3 PLC ± .005 4 PLC ± - ANGLES ± - | | PRODUCT SPEC - | | APPLICATION SPEC - | |
| MATERIAL ALUMINUM ALLOY | FINISH BLUE ANODIZED | WEIGHT - | | SIZE A3 | CAGE CODE 00779 |
| CUSTOMER DRAWING | | | | DRAWING NO C=204861 | RESTRICTED TO - |
| SCALE NTS | | | SHEET 1 OF 1 | REV B | |