

PLEASE CHECK WWW.MOLEX.COM FOR LATEST PART INFORMATION

Part Number: [1041421000](#)
Status: **Active**
Overview: [Wire-to-Board Connectors](#)
Description: IllumiMate 1.00mm Pitch Wire-to-Board Crimp Housing, Single Row, Side Positive Locks and Secondary Middle Friction Locks, 10 Circuits, Natural

Documents:

[3D Model](#) [Packaging Specification PK-104142-001-001 \(PDF\)](#)
[Drawing \(PDF\)](#) [RoHS Certificate of Compliance \(PDF\)](#)
[Product Specification PS-104141-001-001 \(PDF\)](#)

General

| | |
|----------------|--|
| Product Family | Crimp Housings |
| Series | 104142 |
| Application | Wire-to-Board |
| Overview | Wire-to-Board Connectors |
| Product Name | IllumiMate |
| UPC | 884982901858 |

Physical

| | |
|-------------------------------|----------------|
| Circuits (maximum) | 10 |
| Color - Resin | Natural |
| Gender | Receptacle |
| Glow-Wire Capable | No |
| Net Weight | 0.103/g |
| Number of Rows | 1 |
| Packaging Type | Bag |
| Panel Mount | N/A |
| Pitch - Mating Interface | 1.00mm |
| Pitch - Termination Interface | 1.00mm |
| Temperature Range - Operating | -25° to +130°C |

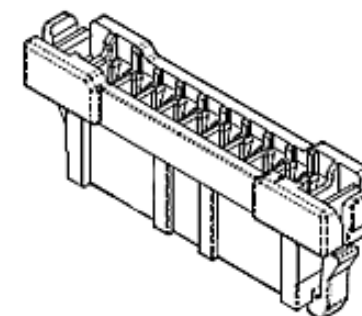
Solder Process Data

| | |
|-----------------------------|-----|
| Lead-freeProcess Capability | N/A |
|-----------------------------|-----|

Material Info

Reference - Drawing Numbers

| | |
|-------------------------|-------------------|
| Packaging Specification | PK-104142-001-001 |
| Product Specification | PS-104141-001-001 |
| Sales Drawing | SD-104142-001 |



Series image - Reference only

EU ELV

Not Relevant

EU RoHS

Compliant

REACH SVHC

Not Contained Per -
ED/71/2019 (16 July
2019)

Halogen-Free

Status

Low-Halogen

For more information, please visit [Contact US](#)

China ROHS

ELV

RoHS Phthalates

China RoHS

Green Image

Not Relevant

Not Contained

Search Parts in this Series

[104142 Series](#)

Mates With

IllumiMate Header [1041411010](#)

Use With

IllumiMate Crimp Terminal [1045398002](#)