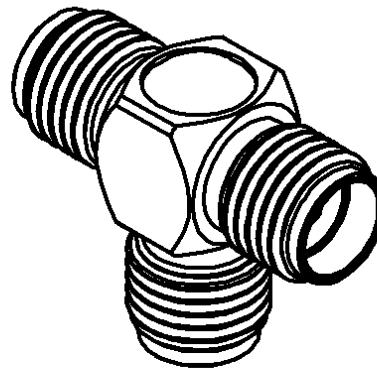
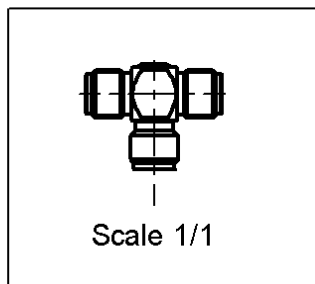
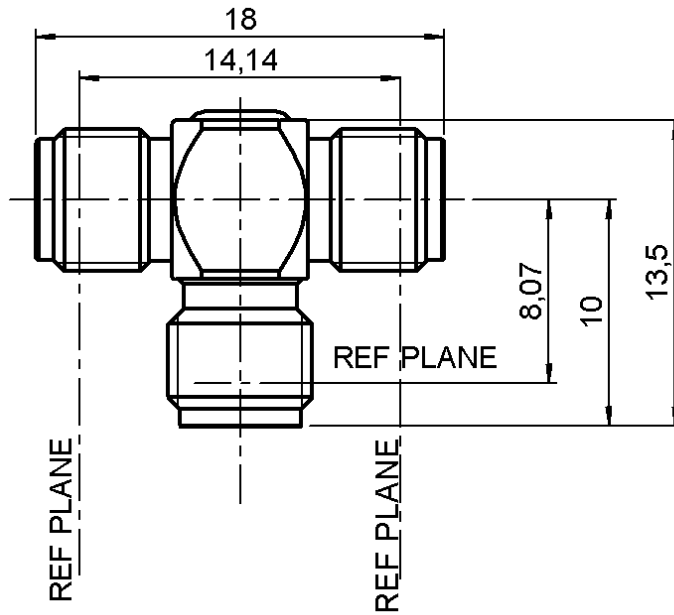


TEE FEMALE- FEMALE - FEMALE ADAPTOR

R125.781.001

Series : SMA



All dimensions are in mm.

| COMPONENTS | MATERIALS | PLATING |
|----------------|------------------|--------------------------------------|
| BODY | STAINLESS STEEL | PASSIVATED . μm |
| CENTRE CONTACT | BERYLLIUM COPPER | GOLD 1.3 OVER NICKEL 2 μm |
| OUTER CONTACT | - | - μm |
| INSULATOR | PTFE | |
| GASKET | - | |
| OTHERS PARTS | - | - μm |
| - | - | - |
| - | - | - |



Edition : 9904 E

Design changes may be in order to improve the product.

TEE FEMALE- FEMALE - FEMALE ADAPTOR

R125.781.001

Series : SMA

ELECTRICAL CHARACTERISTICS

| | | |
|---------------------------------|-------------|------------------------------|
| Impedance | | 50 Ω |
| Frequency | | 0-18 GHz |
| VSWR | NA + | 0.000 x F(GHz) Maxi |
| Insertion loss | | 0.07 √F(GHz) dB Maxi |
| RF leakage | - (| 100 - F(GHz)) dB mini |
| Voltage rating | | 500 Veff Maxi |
| Dielectric withstanding voltage | | 1000 Veff mini |
| Insulation resistance | | 5000 MΩ mini |

SPECIFICATION

ENVIRONMENTAL

| | |
|----------------------------|---------------------|
| Operating temperature | -65/+165 °C |
| Hermetic seal | NA Atm.cm3/s |
| Leakage – pressurised only | NA Mpa |

OTHERS CHARACTERISTICS

Assembly instruction **NA**

Others :
-

MECHANICAL CHARACTERISTICS

| | | |
|----------------------------|--|------------------------|
| Centre contact retention | | |
| Axial force – Mating end | | 27 N mini |
| Axial force – Opposite end | | 27 N mini |
| Torque | | 2.8 N.cm mini |
| Recommended torque | | |
| Mating | | NA N.cm |
| Panel nut | | NA N.cm |
| Mating life | | 500 Cycles mini |
| Weight | | 0.000 g |



Edition : 9904 E

Design changes may be in order to improve the product.