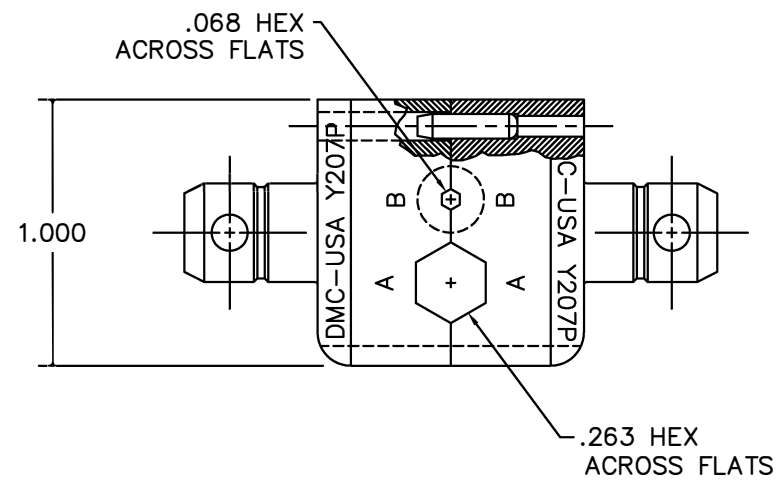
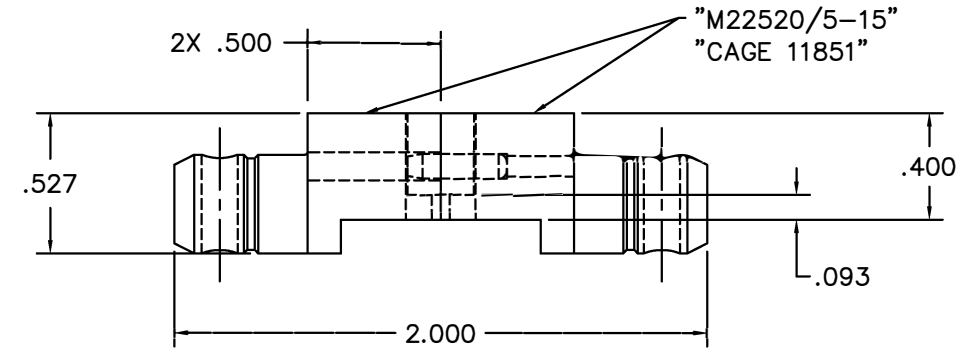



REVISIONS				
REV. SYM.	E.C.O. NUMBER	DESCRIPTION	BY DATE	APP'D DATE
1		ORIGINAL RELEASE	DVC 8/12/94	DE 8/12/94



**UNCONTROLLED DOCUMENT
WILL NOT BE UPDATED**

RESTRICTED & CONFIDENTIAL CONFIDENTIAL PROPERTY OF DANIELS MANUFACTURING CORP. NOT TO BE DISCLOSED TO OTHERS, REPRODUCED OR USED FOR ANY OTHER PURPOSE, EXCEPT AS AUTHORIZED IN WRITING BY DANIELS MANUFACTURING. MUST BE RETURNED TO DANIELS MANUFACTURING CORP. ON COMPLETION OF ORDER OR OTHER PURPOSE FOR WHICH LENT.	MATERIAL	ITEM	PART NO.	QTY.	DESCRIPTION/REMARKS
	HEAT TREAT	DRN. DVC	DATE 8/12/94		 DANIELS MANUFACTURING CORP. ORLANDO, FLORIDA CAGE 11851
FINISH	CHKD. DE	DATE 8/12/94			
	NOTE:	APP'D.	DATE		DIE SET ENVELOPE DRAWING (M22520/5-15)
DO NOT SCALE DRAWING	THIS DRAWING IS AN OUTLINE DRAWING OF THE RESPECTIVE DMC PART NUMBER INDICATED. ACTUAL DMC PART NUMBER IS DRAWING NUMBER WITHOUT THE "-ENV" SUFFIX.	APP'D.	DATE		WHERE USED:
		SIZE B	SCALE 2X	CAD P/N Y207P-ENV	SHEET 1 of 1
		POSTING	DWG. NO. Y207P-ENV	REV. 1	