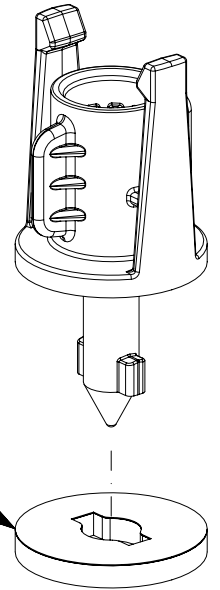
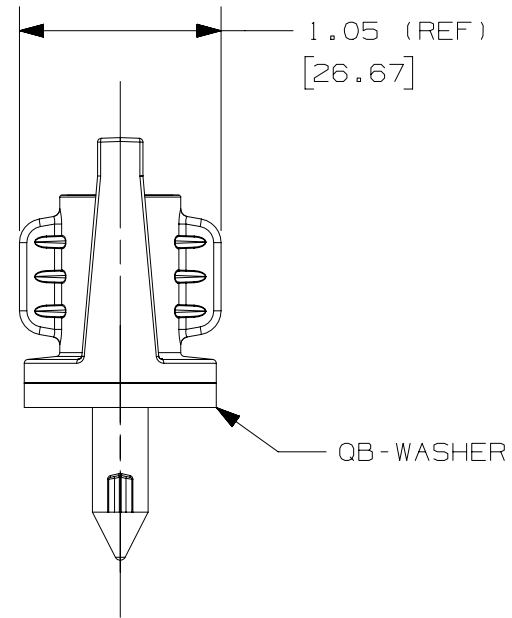
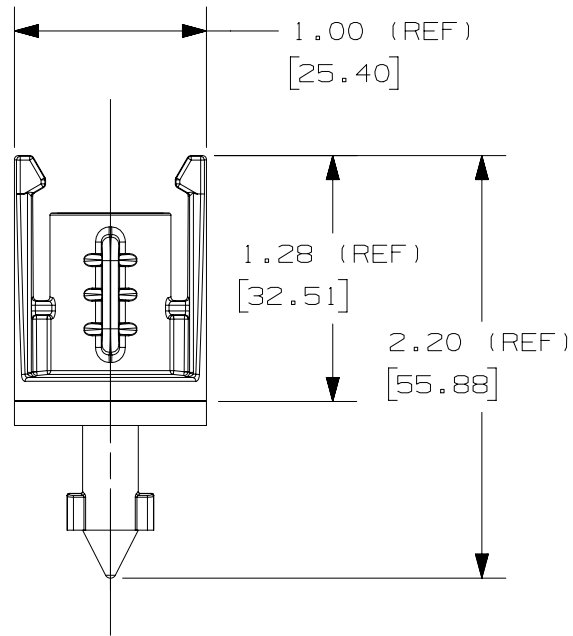


THIS COPY IS PROVIDED ON A RESTRICTED BASIS AND IS NOT TO BE USED IN ANY WAY DETRIMENTAL TO THE INTERESTS OF PANDUIT CORP.



NOTES:

1. DIMENSIONS IN BRACKETS [ ] ARE METRIC [mm]
2. PRODUCT DESIGNED TO TWIST AND LOCK INTO PANDUIT PART: QB-TILE.
3. PRODUCT DESIGNED TO ACCEPT PANDUIT PARTS: QB-BASE120, QB-BASE175, QB-SN1-Q, QB-SN2-Q, QB-SN3-Q, QB-FN1-Q, QB-FN2-Q, QB-FN3-Q.
4. PRODUCT DESIGNED TO SUPPORT A MAXIMUM STATIC 5 LB LOAD WITH COMPATIBLE PARTS.
5. PRODUCT IS RATED FOR ENVIRONMENTAL CONDITIONS OF 40-100°F IN ALL HUMIDITY CONDITIONS.
6. REPLACEMENT WASHERS SOLD SEPERATELY.

TITLE		QUICK-BUILD MOUNTING PEG FOR USE WITH NAIL BASES AND MOUNTING PLATFORMS; 50 PER PACKAGE (QB-MOUNT-L)		CUSTOMER DRAWING	
ITEM REVISION NAME		14L203AR/01		<b>PANDUIT</b>	
DATASET FILE NAME		14L203AR-DC			
UNLESS OTHERWISE SPECIFIED, DIMENSIONAL TOLERANCES ARE: IN [mm]		MATERIAL:		VARIOUS	
.x ± .1 [ 2.54 ]		.xxx ± .005 [ .127 ]		DRAWING NUMBER:	
.xx ± .01 [ .25 ]		ANGLES ± 5 °		14L203AR-DC	
		THIRD ANGLE PROJECTION		SHT 1 OF 1	
DRAWN BY	DATE	CHK	SCALE	SIZE	
ANF	6-11-15	DJW	1:1	A	

00	6-11-15	ANF	DJW	MSAD	DRAWING RELEASE	GAECN03009
REV	DATE	BY	CHK	APR	DESCRIPTION	ECN