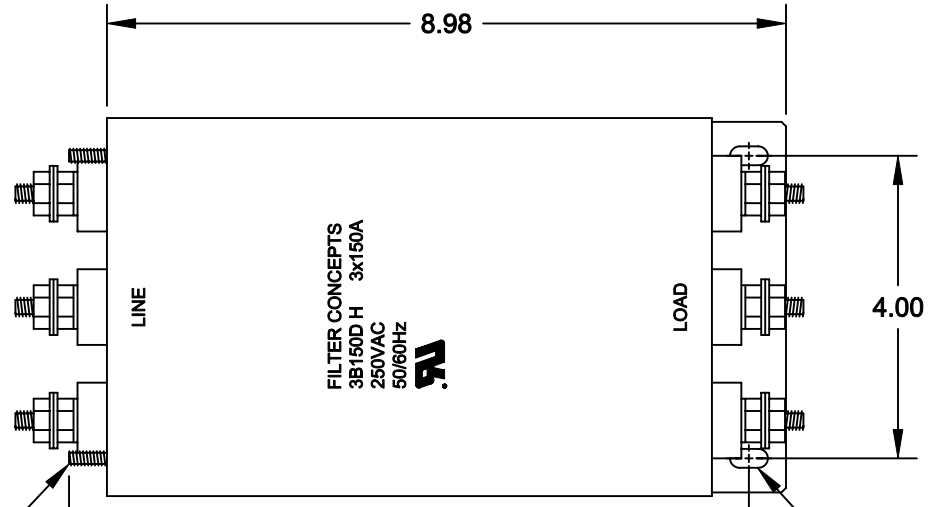


SPECIFICATIONS

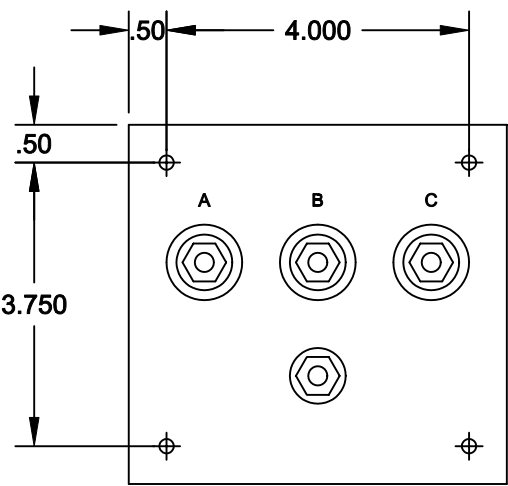
1. CASE:
18 GA. (.048) CRS, TIN PLATED
2. RATED CURRENT:
3 x 150A
3. RATED VOLTAGE:
250VAC, 50/60Hz
4. TEST VOLTAGE:
LINE TO LINE: 1.7KVDC
LINE TO GROUND: 2.2KVDC
5. LEAKAGE CURRENT:
2.1mA @ 250VAC, 50Hz

REVISION			
LTR	DESCRIPTION	DATE	APPROVED
A	INITIAL RELEASE	03-23-04	LE

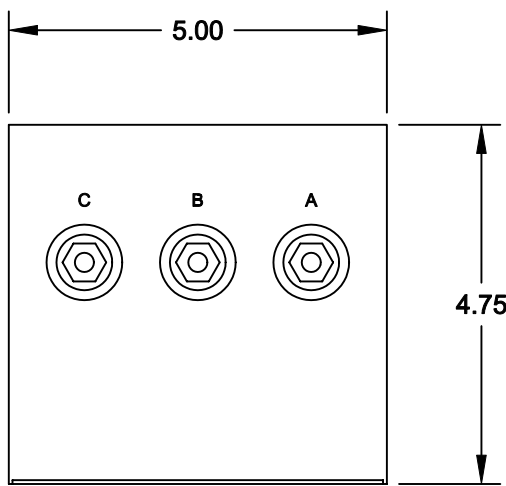
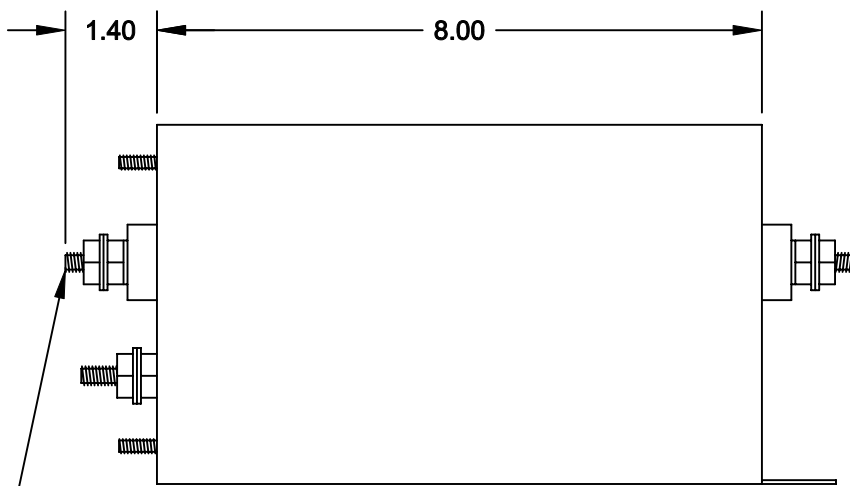


#10-32 STUD
4 PLACES

.250 x .500
2 PLACES



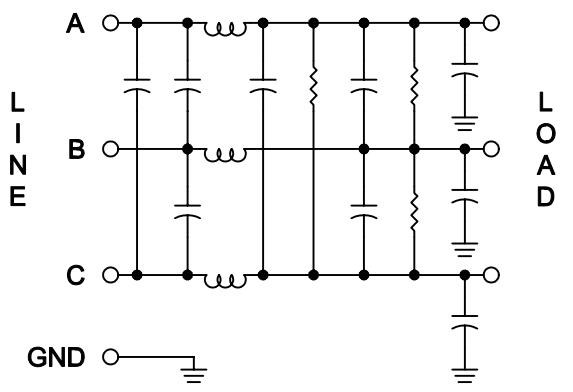
3/8-16 TERMINAL STUD
7 PLACES



INSERTION LOSS (50Ω TYPICAL)

	.05 MHz	.15 MHz	.50 MHz	1.5 MHz	5.0 MHz	20 MHz
L/L	25 db	48 db	65 db	60 db	48 db	50 db
L/G	4 db	18 db	38 db	44 db	50 db	50 db

SCHEMATIC



UNLESS OTHERWISE SPECIFIED
DIMENSIONS ARE INCHES
TOLERANCES ARE:
FRACTIONS DECIMALS ANGLES
± .XX ±.030 ±
.XXX ±.010

CONTRACT NO.
APPROVALS
DATE
DRAWN
GIANG TRINH 10-28-02
CHECKED
DANNIEL VUONG 03-23-04

FILTER CONCEPTS INC.
APPLICATION DRAWING
3B150D H FILTER

NEXT ASSY	USED ON
APPLICATION	

MATERIAL
FINISH

SIZE B	CODE IDENT NO.	DRAWING NO. 7755
SCALE 2/5	SHEET 1	OF 1