

SH-100 and SHE-100 .100 CENTERS

SHE-100 PLUNGER TIPS



SH-100 PLUNGER TIPS



PROBE SPECIFICATIONS

Minimum Centers: .100 (2.54)

Current Rating:

SHE-100: 8 amps continuous
SH-100: 15 amps continuous
(Individual probe in free air @ ambient temperature)

Spring Force:

4.0 oz. or 6.7 oz. @ .170 (4.32) travel

Maximum Travel: .250 (6.35)

Working Travel: .170 (4.32)

Rated Force oz. (g)	Preload oz. (g)
4.0* (113)	1.6 (45)
6.7 (190)	2.4 (68)

* SH-100 only

MATERIALS

Barrel: High performance copper alloy, gold plated

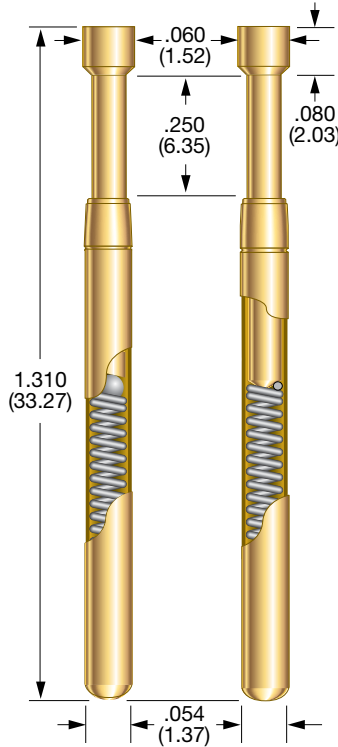
Spring: Stainless steel

Plunger: Beryllium copper, gold plated

Ball: SH probe: Stainless steel

Receptacle: Copper alloy, gold plated

SH-100 SHE-100

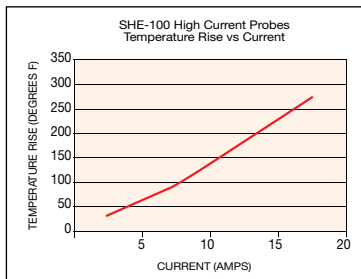
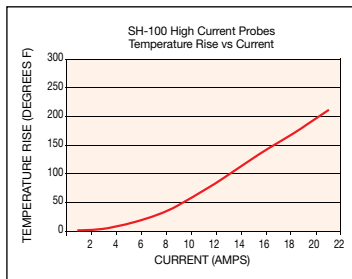


Drill Size: #50

Mounting Hole Size: .068/.070 (1.73/1.78)

Recommended Wire: 22-26 gage

.100 CENTER HIGH CURRENT PROBES



ID1 current ratings are defined as the maximum current at which the temperature rise of the probe does not exceed 144°F (80°C) for a single probe in free air at ambient temperature for one hour.

RECEPTACLE OPTIONS

Part Number	Style	Receptacle Length	Probe/Receptacle Combined Length	Comments
RH-100-SC	Solder Cup	1.165 (29.59)	1.495 (37.97)	—
RH-100-WW-429	Wire Wrap	1.594 (40.49)	1.924 (48.87)	.429 post length - .025 sq.

HOW TO ORDER: SPRING CONTACT PROBE

SHE **100** **A** **6.7** **G**
 SERIES SIZE TIP STYLE SPRING FORCE PLATING OPTIONS

SERIES:
SHE: 8 AMPS
SH: 15 AMPS

SPRING FORCE:
4.0* oz. @ .170 (4.32) TRAVEL
6.7 oz. @ .170 (4.32) TRAVEL

* SH-100 ONLY

RECEPTACLE

RH **100** **WW** **429**
 SERIES SIZE TERMINATION POST LENGTH

TERMINATIONS:
SC: SOLDER CUP
WW: WIRE WRAP

POST LENGTH
WW: 429

VIEW UPDATES OF THIS INFORMATION AT WWW.IDINET.COM

Specifications subject to change without notice. Dimensions in inches (millimeters)