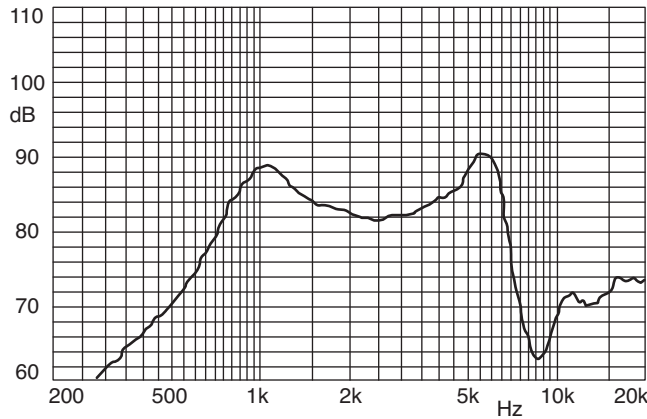
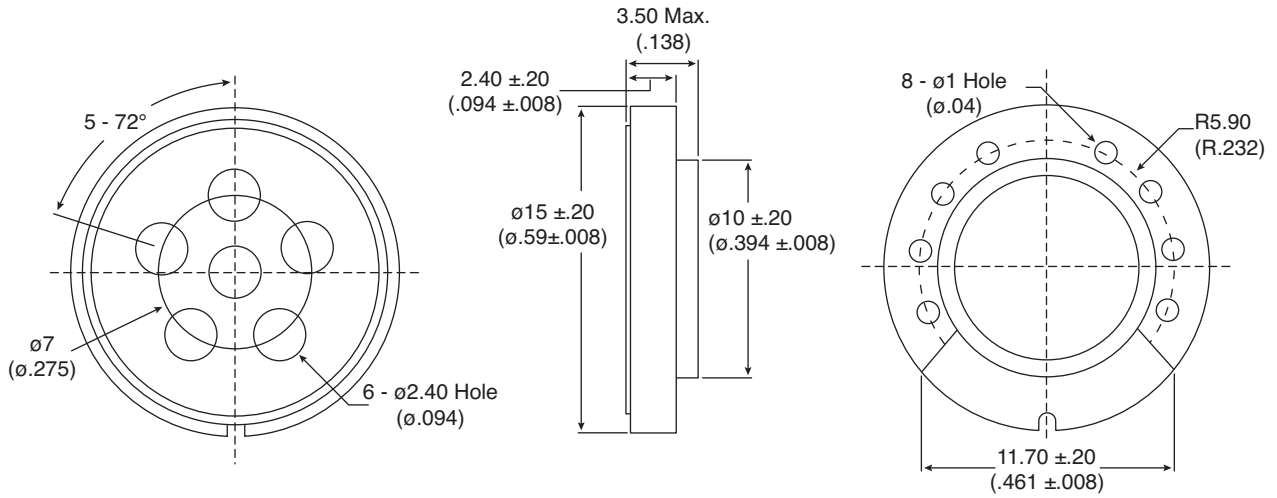


**Part Number:**

254-PS601-RO



Speaker

KT-400276

**Electrical Specifications:**

- Impedance:  $8\Omega \pm 15\%$  / 1KHz / 1.0V
- Resonance Frequency: 1000Hz  $\pm 15\%$  / 1.0V
- Power Ration: Nom. 0.2W; Max. 0.3W
- Sensitivity (SPL):  $85 \pm 3\text{dB}$  / 0.2W / 10cm / Averaged @ 1.0, 1.2, 1.5, 2.0KHz
- Distortion: max. 5% at 0.2W, 1,400Hz

**Note:**

- RoHS Compliant