

**SWITCH - TOGGLE
ABOVE PANEL MOUNT**

CATALOG LISTING

102TP82 SERIES CHART 1

THIS DRAWING COVERS A PROPRIETARY ITEM AND IS THE PROPERTY OF MICRO SWITCH. A DIVISION OF HONEYWELL. THIS DRAWING IS NOT TO BE COPIED OR USED WITHOUT THE APPROVAL OF MICRO SWITCH

CATALOG LISTING	CIRCUIT MADE WITH BUTTON DEPRESSED ON		
	LUG SIDE (1-2, 4-5)	CENTER (1-2, 4-5)	OPPOSITE LUG (2-3, 5-6)
102TP82-1	ON	OFF	ON
102TP82-2	OFF	NONE	ON
102TP82-3	ON	NONE	ON
102TP82-21	NONE	OFF	ON
102TP82-31	NONE	ON	ON
102TP82-4	MOM OFF	NONE	ON
102TP82-5	MOM ON	OFF	ON
102TP82-6	MOM ON	NONE	OFF
102TP82-7	MOM ON	OFF	MOM ON
102TP82-8	MOM ON	NONE	ON
102TP82-51	NONE	ON	MOM ON
102TP82-61	MOM ON	OFF	NONE

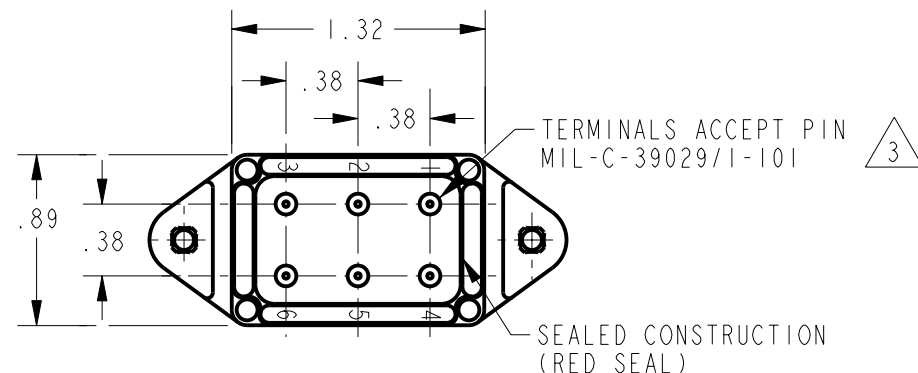
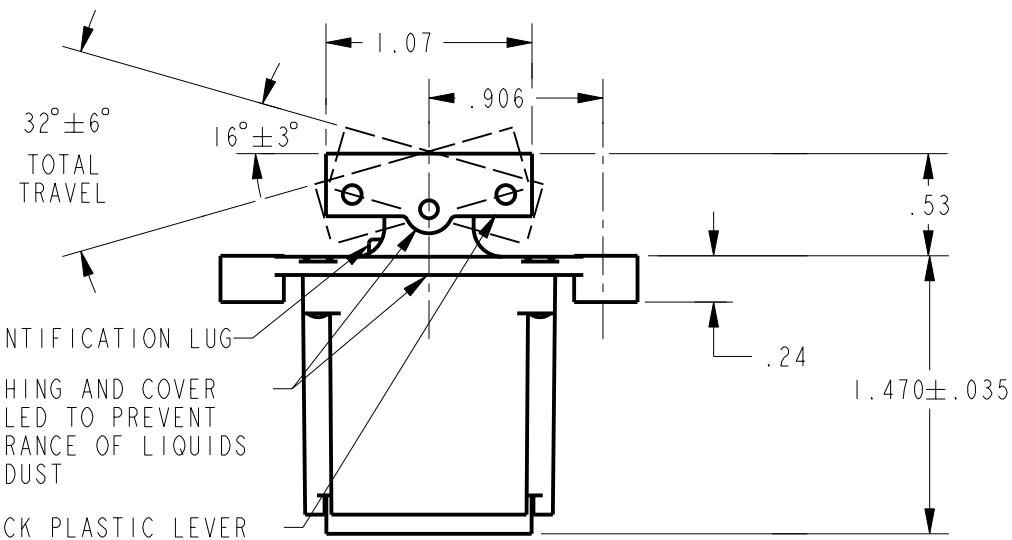
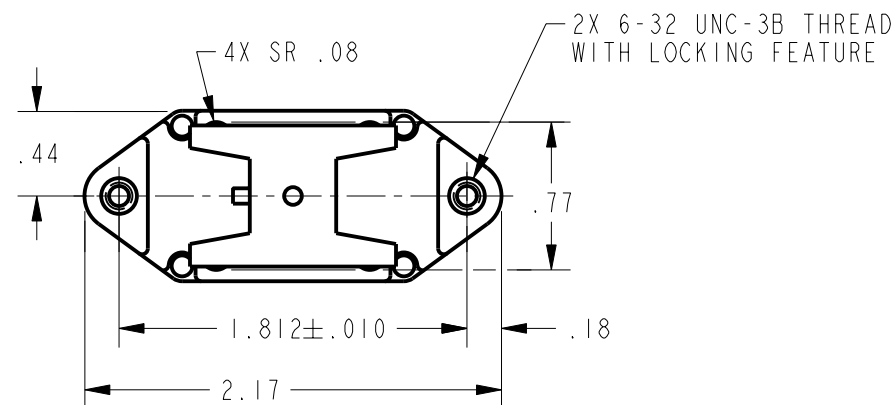
ELECTRICAL DATA

L191 15A 125, 250, 277 VAC
1/2HP 125 VAC
1HP 250, 277 VAC
5A 125 VAC "L"

CE **RU** **®**

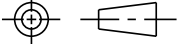
L192 10A 125, 250, 277 VAC
1/4HP 125 VAC,
1/2HP 250, 277 VAC
3A 125 VAC "L"

CE **RU** **®**



- NOTES
- 1 - CIRCUIT DESIGNATION AND MICRO SWITCH CATALOG LISTING MARKED ON SIDE OF SWITCH
 - 2 - SWITCHES ARE CAPABLE OF WITHSTANDING A TEMPERATURE OF 160° F CONTINUOUSLY AT FULL RATED LOAD
 - 3 - THE SEALING GROMMET SHALL SEAL ON A SMOOTH WIRE INSULATION OF Ø.040 TO Ø.083 (16-20 GAGE)
 - 4 - UNUSED TERMINAL HOLES MAY BE SEALED WITH PLUGS M83723/28-20
 - 5 - APPLIES ONLY TO "ON" AND "MOMENTARY ON" POSITIONS

THIRD ANGLE PROJECTION



SCALE FULL

DO NOT SCALE PRINT

UNLESS OTHERWISE SPECIFIED TOLERANCES ARE

ONE PLACE	(.0)	±.030
TWO PLACE	(.00)	±.015
THREE PLACE	(.000)	±.005
ANGLES		±

WEIGHT

CATALOG LISTING
 102TP82 SERIES CHART 1
 PAGE 1 OF 1
 REPLACES -
 RELEASE NO. PR-20331
 CHECK
 REVISIONS

A	204410	GJW	16NOV01

 CHECK
 16 NOV 01
 CHECK
 SAV
 16 NOV 01
 CHECK
 2D
 DRAWN
 GJW
 16 NOV 01
 PTC/CAD