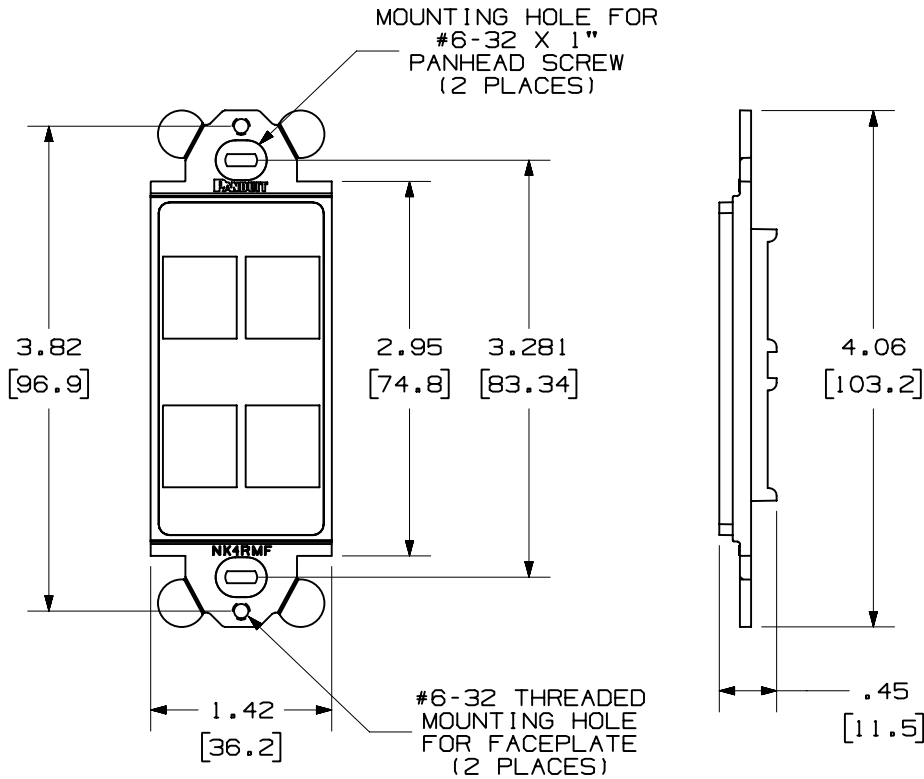


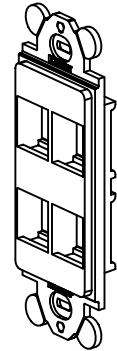
THIS COPY IS PROVIDED ON A RESTRICTED BASIS AND IS NOT TO BE USED IN ANY WAY DETRIMENTAL TO THE INTERESTS OF PANDUIT CORP.



| PANDUIT P/N | WEIGHT |
|-------------|----------------------------------|
| NK4RMF** | .02LB EACH PC (11.1G EACH PC) |

NOTES:

1. SEE CURRENT CATALOG FOR ADDITIONAL PART NUMBER SUFFIXES TO INDICATE COLOR AND OR PACKAGE QUANTITY.
2. SEE CATALOG FOR COMPLETE LIST OF PARTS APPLICABLE FOR USE WITH THIS PART.
3. DIMENSIONS IN PARENTHESES ARE IN METRIC.
4. (2) #6-32 x 1" PANHEAD SCREWS ARE SUPPLIED.



| | | | | |
|--|--|------------------------|----------|-------------|
| MODEL FILENAME | | D38402BA_NK4RMF_02.PRT | SIZE | |
| DRAWING FILENAME | | D38402BA_DC_02A.PRT | A | |
| NETKEY™ 4 POSITION RECTANGULAR MODULE FRAME CUSTOMER DRAWING | | | | |
| | PANDUIT™ CORP. TINLEY PARK, ILL 60477 | I.I. NUMBER | N/A | |
| | | PRODUCT SPEC | N/A | |
| ALL DIMENSIONS ARE GIVEN IN INCHES. UNLESS OTHERWISE SPECIFIED. DIMENSIONAL TOLERANCES ARE: (.X) ± (.XXX) ± .010(.3) (.XX) ± .031(.8) ANGLES ± | | WORK INSTRUCTION | N/A | |
| | | SCALE | NONE | |
| DRAWN BY | DATE | MATERIAL: ABS | PART NO. | |
| JsP | 3-11-03 | | NK4RMF** | |
| REV | DATE | BY | CHK'D | DRAWING NO. |
| R | 3-11-03 | JsP | | 38402-02 |
| DESCRIPTION | | ECN | R | CUST |
| RELEASED TO PRODUCTION | | 38402-02 | | SUP |
| | | | | OTH |

| | | | | | | | | | |
|-----|---------|-----|-----|------------------------|----------|---|------|-----|-----|
| REV | DATE | BY | CHK | DESCRIPTION | ECN | R | CUST | SUP | OTH |
| R | 3-11-03 | JsP | | RELEASED TO PRODUCTION | 38402-02 | | | | |